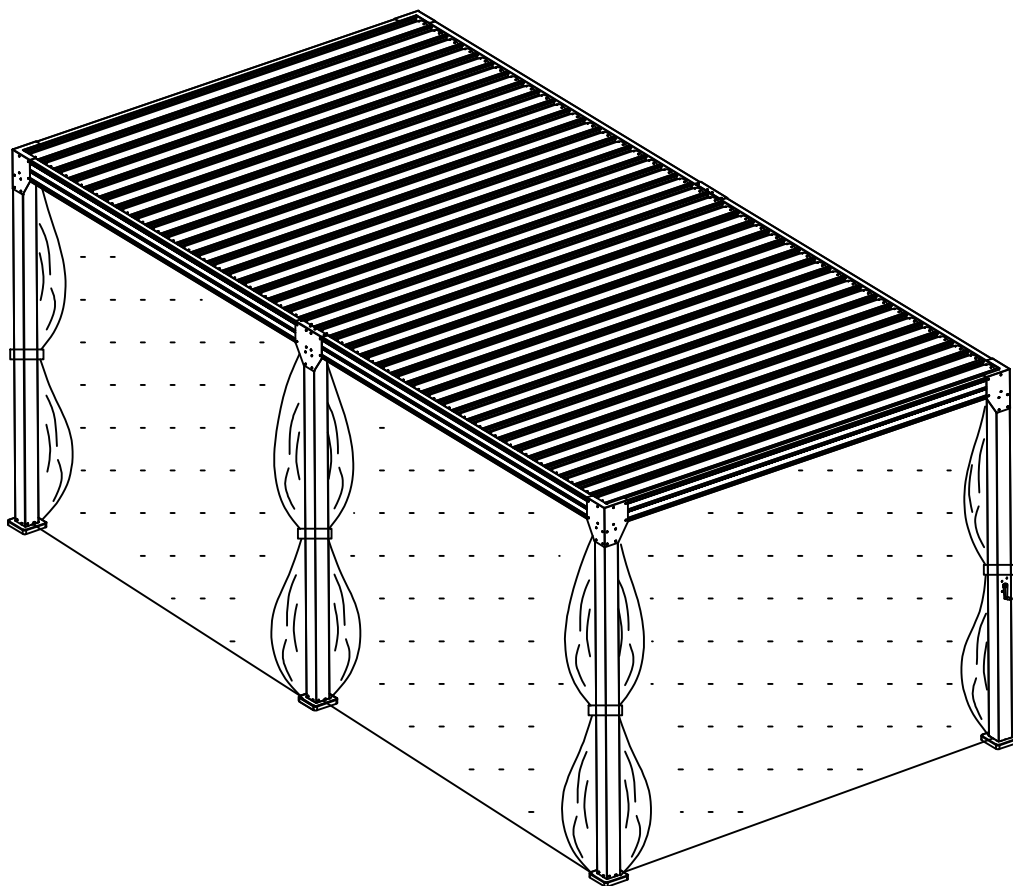
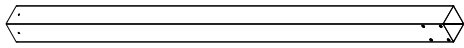


CosyLifeStyle[®]

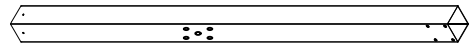
Manual
for
Pergola Gazebo Monterey
3x6m

3x6

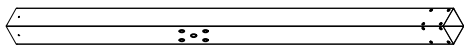




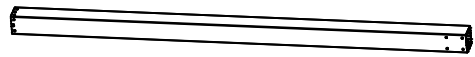
(A1) 2X



(A2) 1X



(A3) 1X



(A4) 2X



(B11) 1X



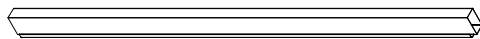
(B12) 1X



(B21) 1X



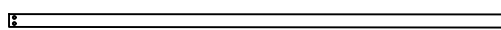
(B22) 1X



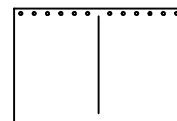
(C1) 2X



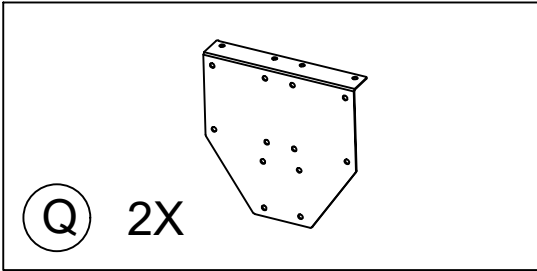
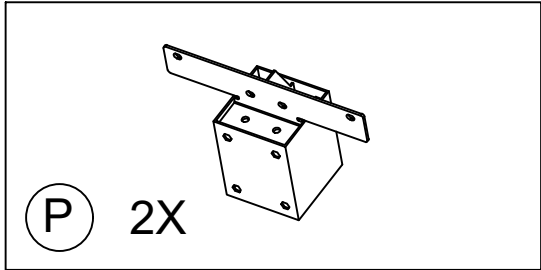
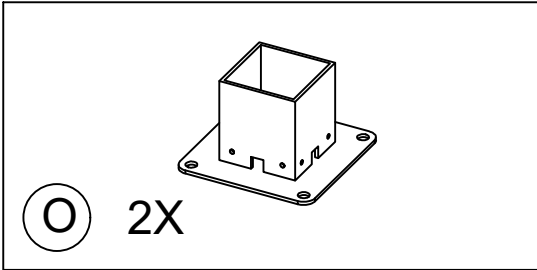
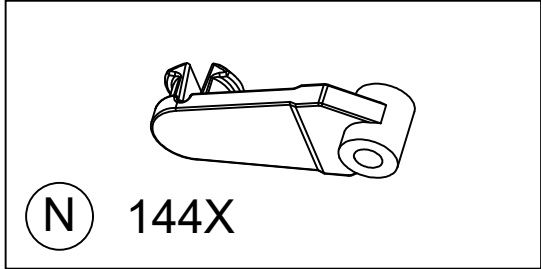
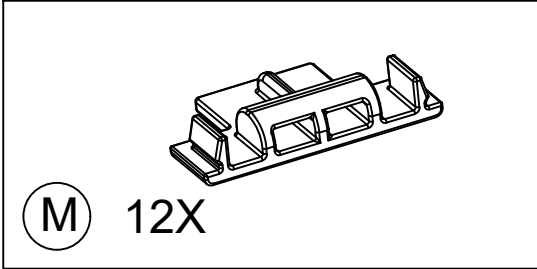
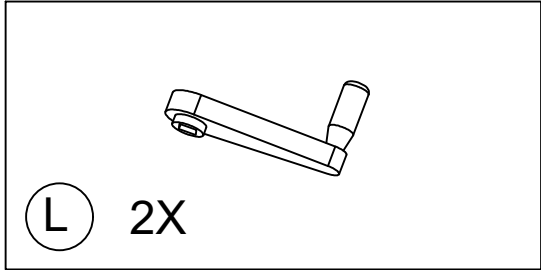
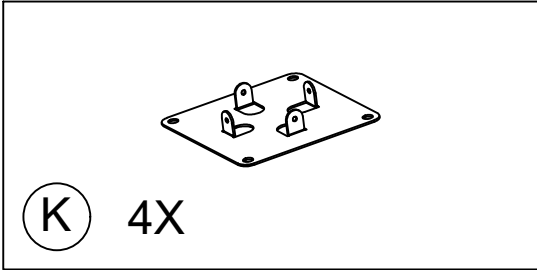
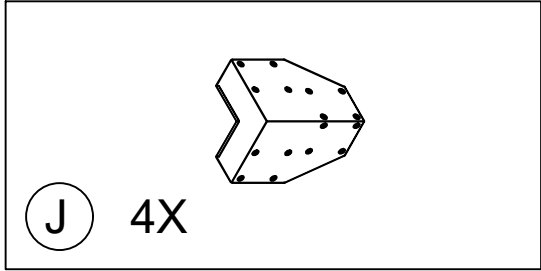
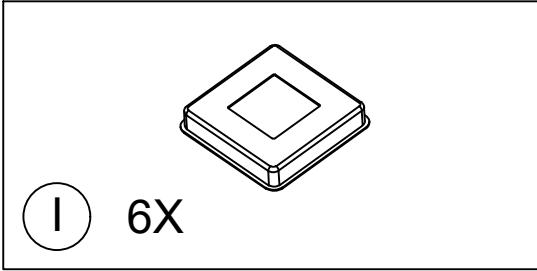
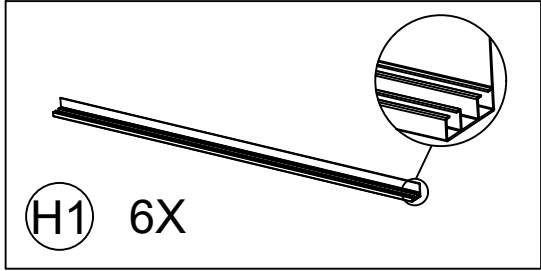
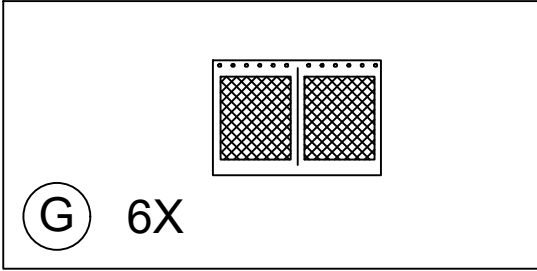
(D) 38X

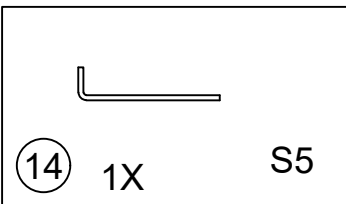
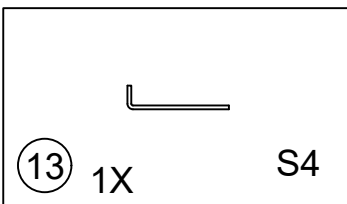
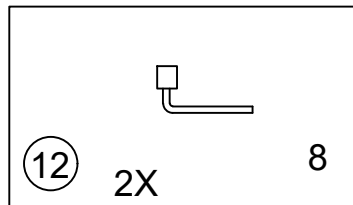
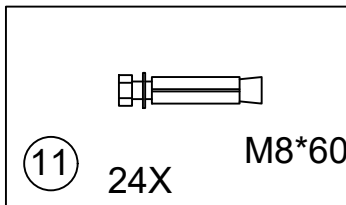
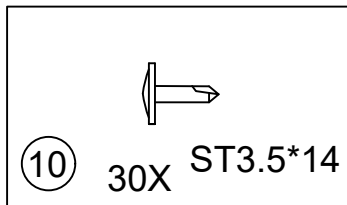
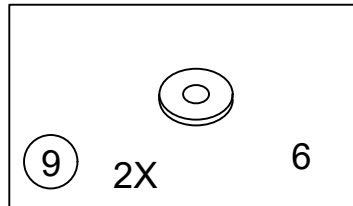
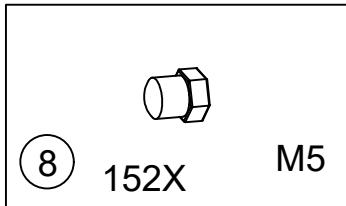
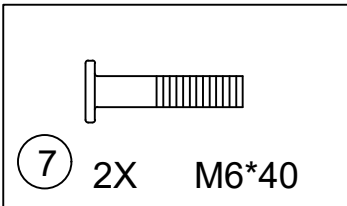
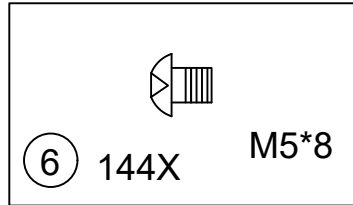
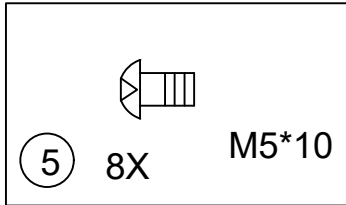
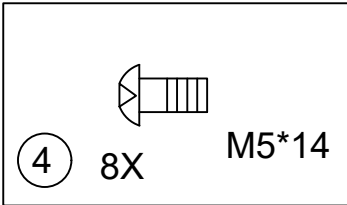
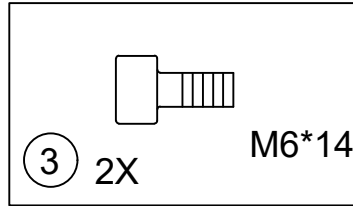
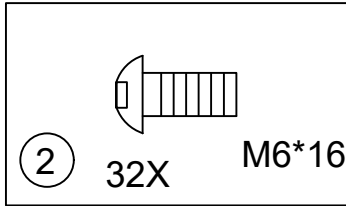
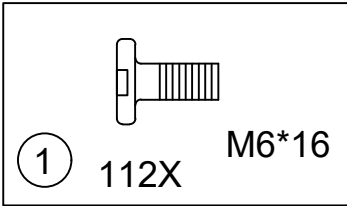


(E) 2X



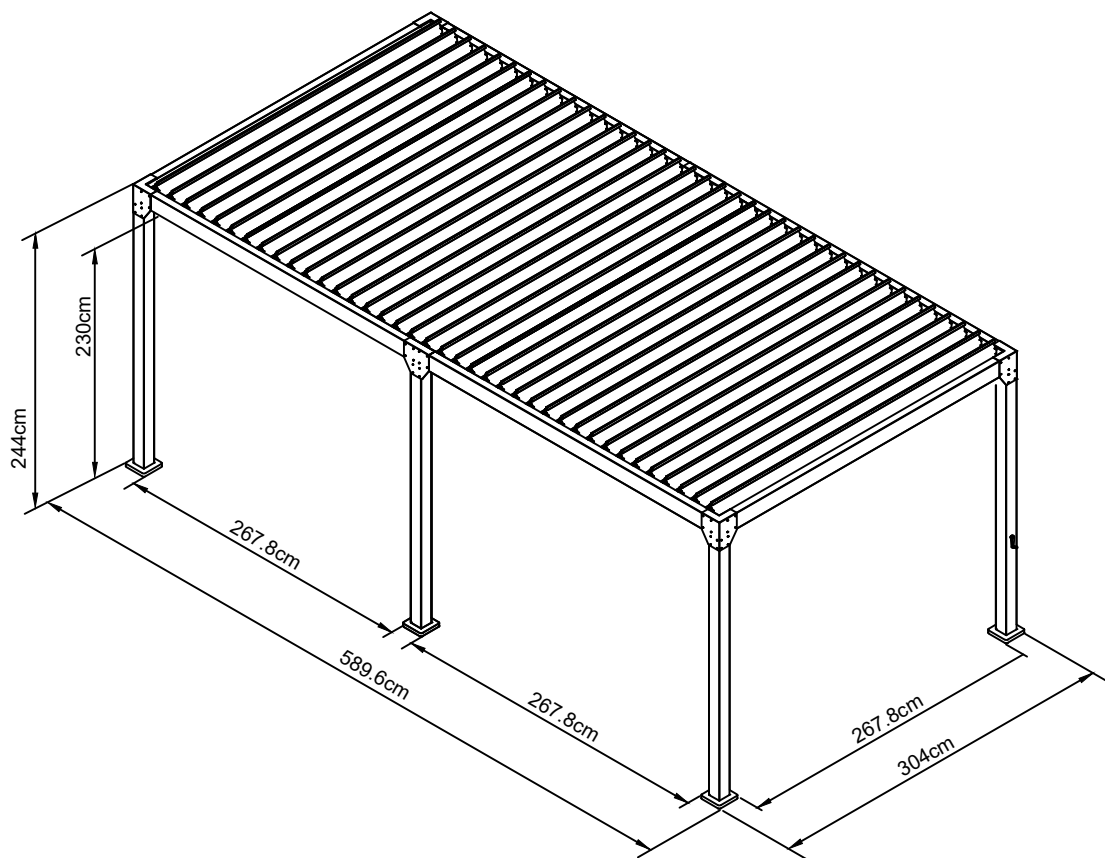
(F) 6X

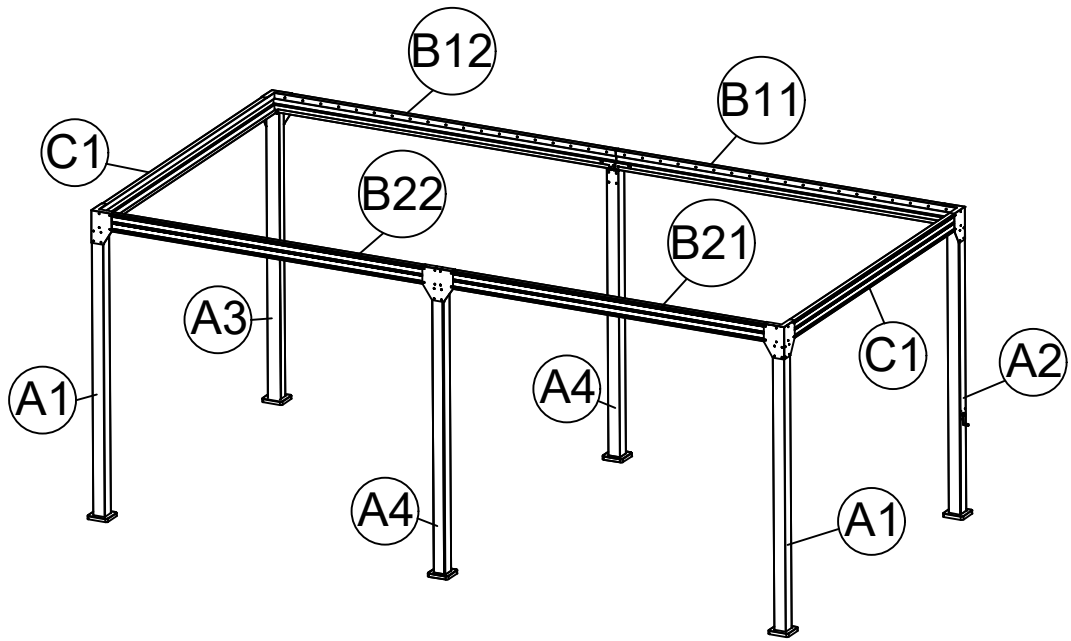






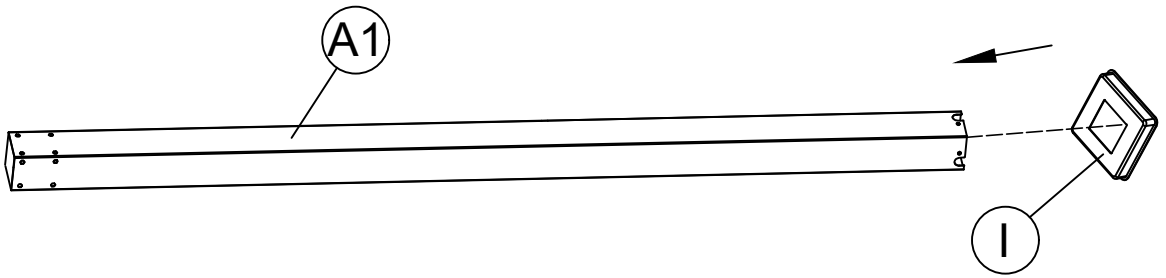
NOTICE



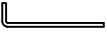
1. the assembly should be carried out on a flat field of at least 5 meters *8 meters, and padded with soft protective pads to prevent scratches on the surface of the parts!
2. Check the number of parts against the parts list after unpacking;
3. the pressure resistance is 40kg per square, such as snow, ice and other extreme weather, the weight exceeds this value, must make the louver in the open state in advance;
4. After the louver is closed, do not turn the handle too hard to avoid damage to the internal mechanism.

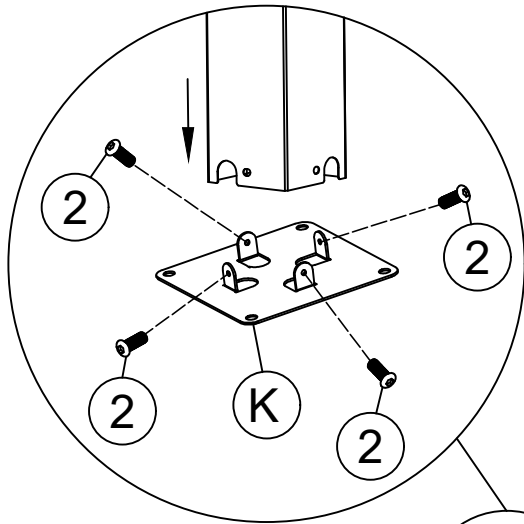







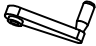



| | |
|---|----|
|  | |
| Ⓐ1 | 2X |
|  | |
| Ⓘ | 2X |

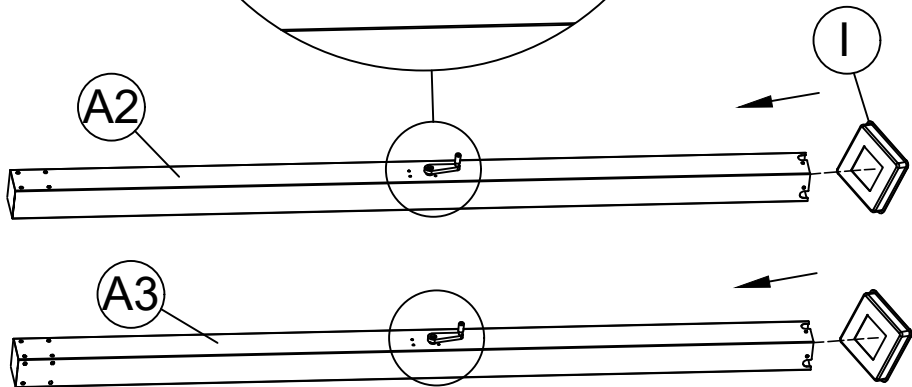
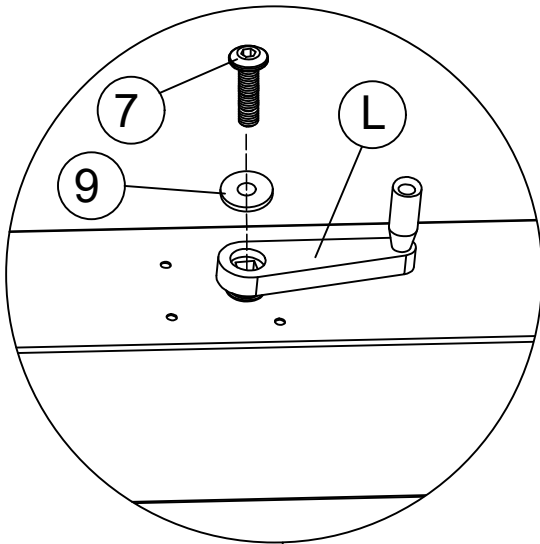




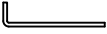
| | |
|---|----|
|  | |
| Ⓚ | 2X |
|  | |
| ② M6*16 | 8X |
|  | |
| ⑬ S4 | 1X |

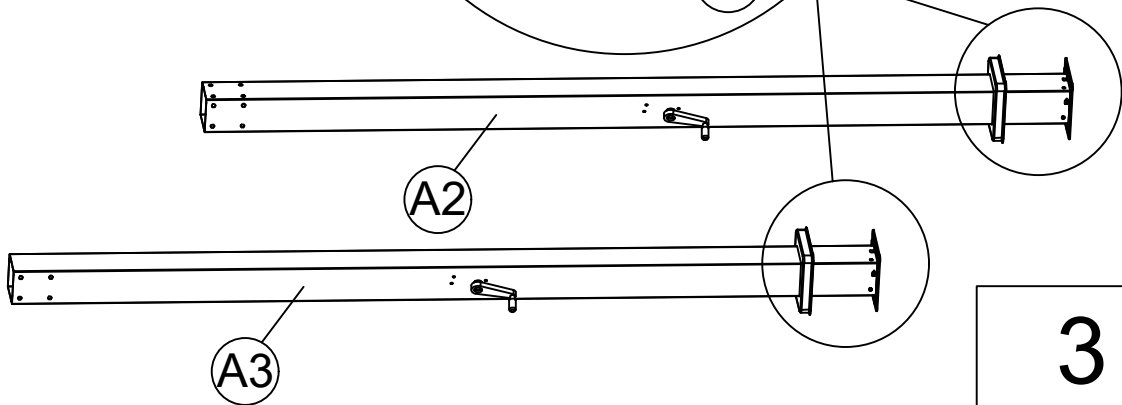
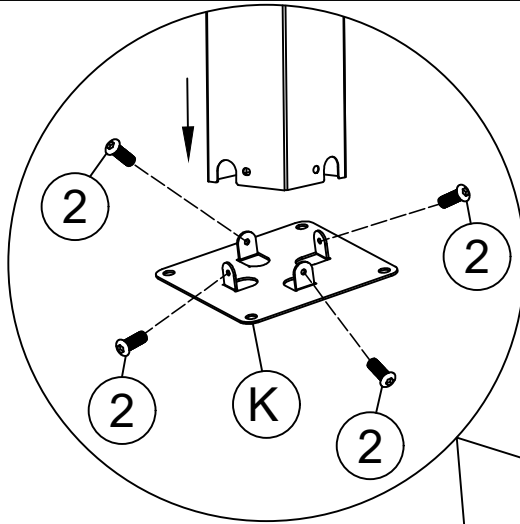


2

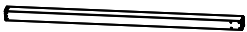

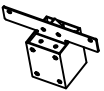


| | | |
|---|-----------|----|
|  | (A2) | 1X |
|  | (A3) | 1X |
|  | (I) | 2X |
|  | (L) | 2X |
|  | (7) M6*40 | 2X |
|  | (9) 6 | 2X |
|  | (13) S4 | 1X |



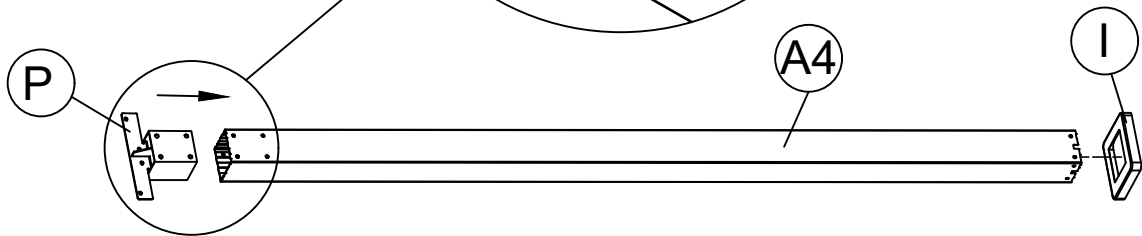
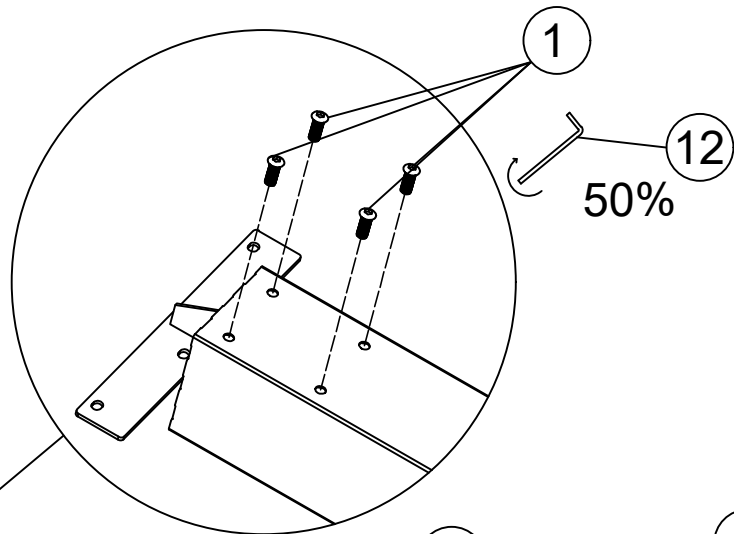
| | | |
|---|-----------|----|
|  | (K) | 2X |
|  | (2) M6*16 | 8X |
|  | (13) S4 | 1X |

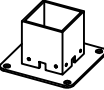
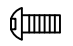



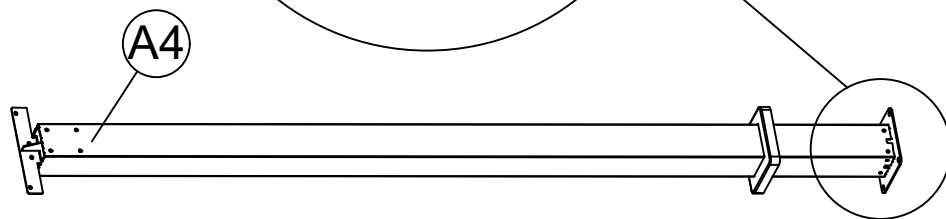
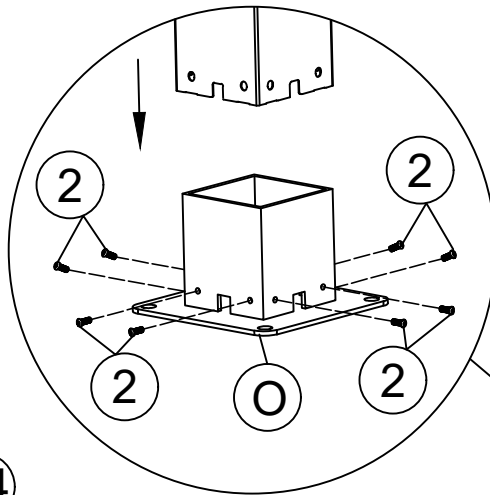
3

| | | | |
|---|----|-------|----|
|  | A4 | 2X | |
|  | I | 2X | |
|  | P | 2X | |
|  | 1 | M6*16 | 8X |
|  | 13 | S4 | 1X |




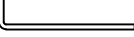
Assemble the support plate P and fix it with M6*16 screws (the degree of fixing is 50%)

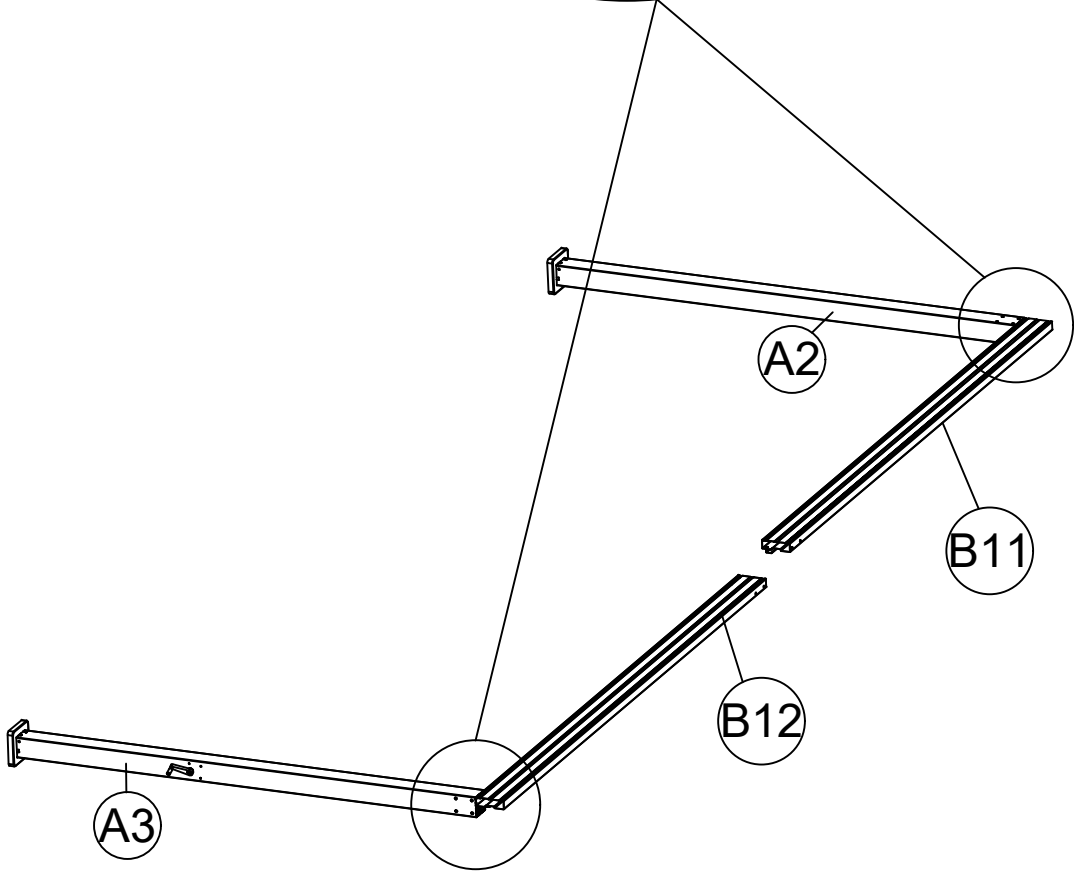
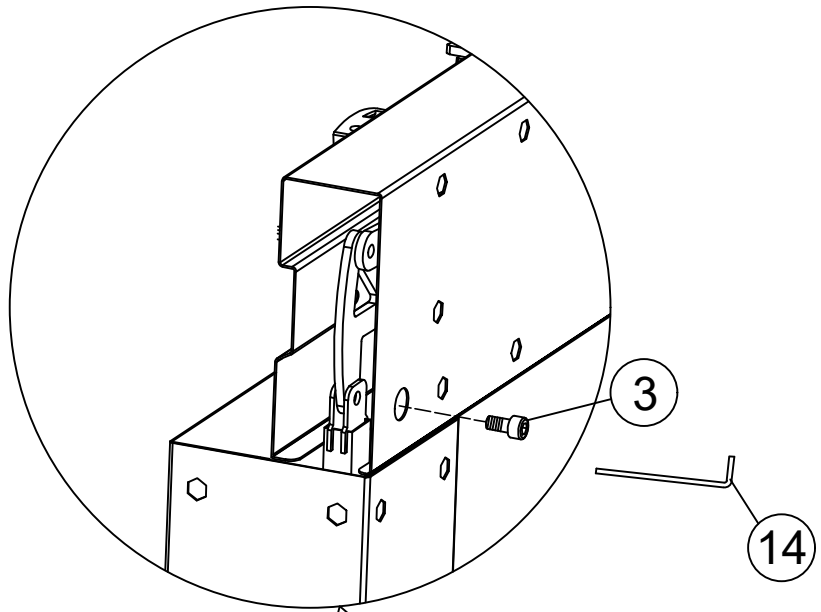


| | | | |
|---|----|-------|-----|
|  | O | 2X | |
|  | 2 | M6*16 | 16X |
|  | 13 | S4 | 1X |



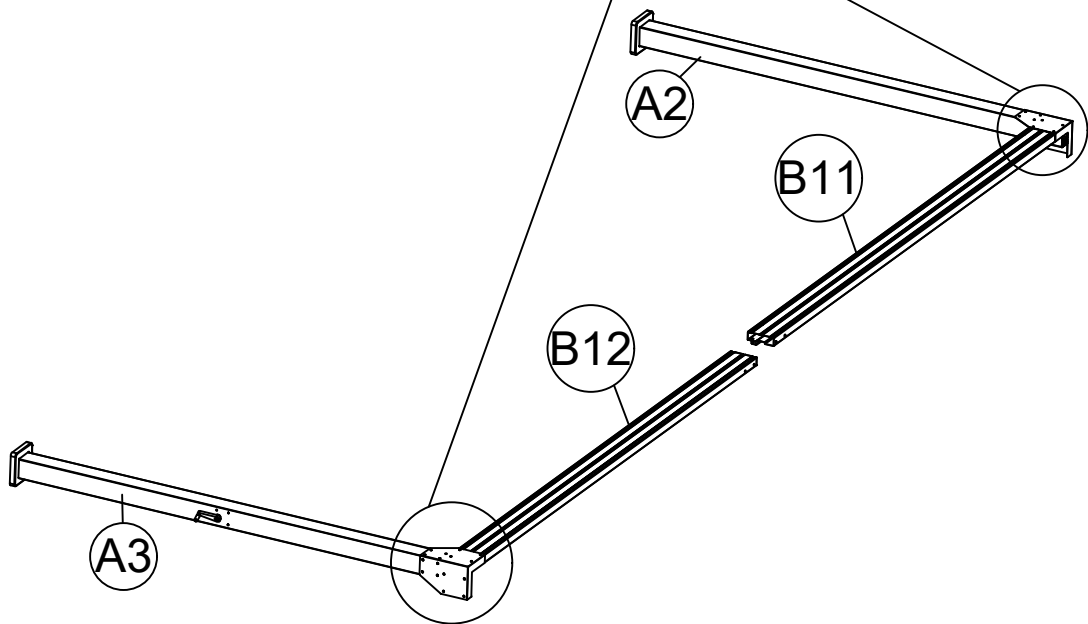
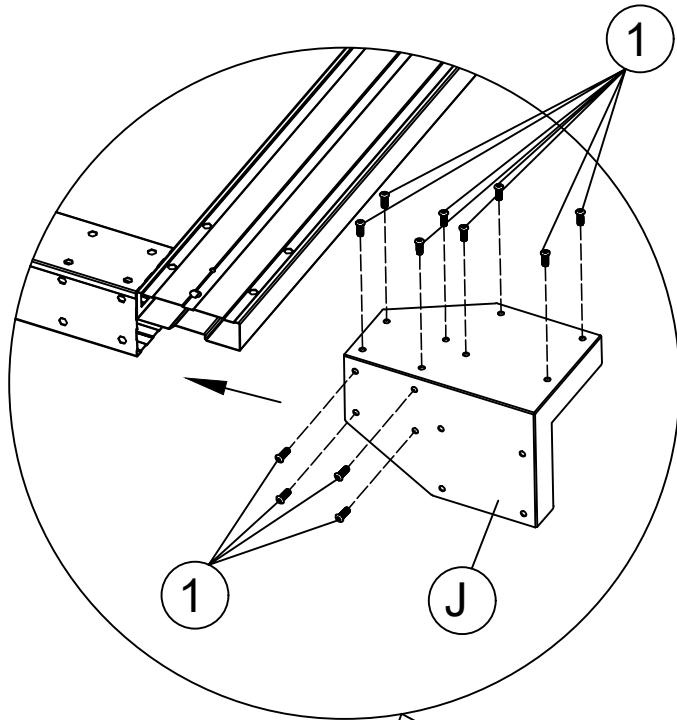
4

| | |
|---|----|
|  | |
| (B11) | 1X |
|  | |
| (B12) | 1X |
|  | |
| (3) M6*14 | 2X |
|  | |
| (14) S5 | 1X |

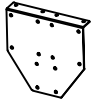
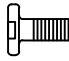
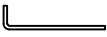


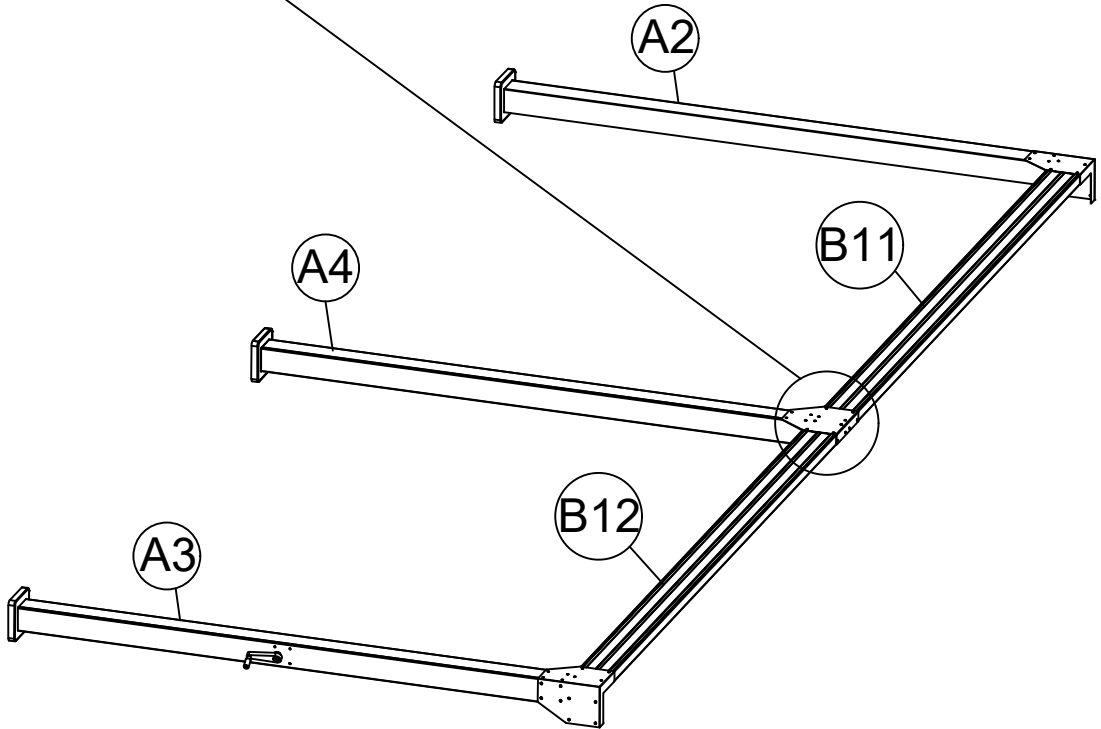
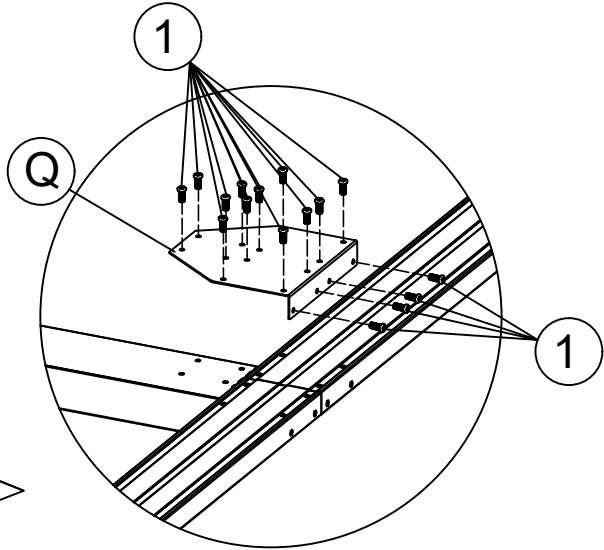
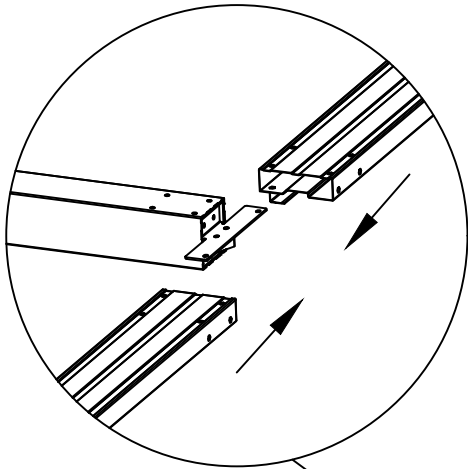
5

| | | |
|----|--|-----|
| J | | 2X |
| 1 | | 24X |
| 13 | | 1X |



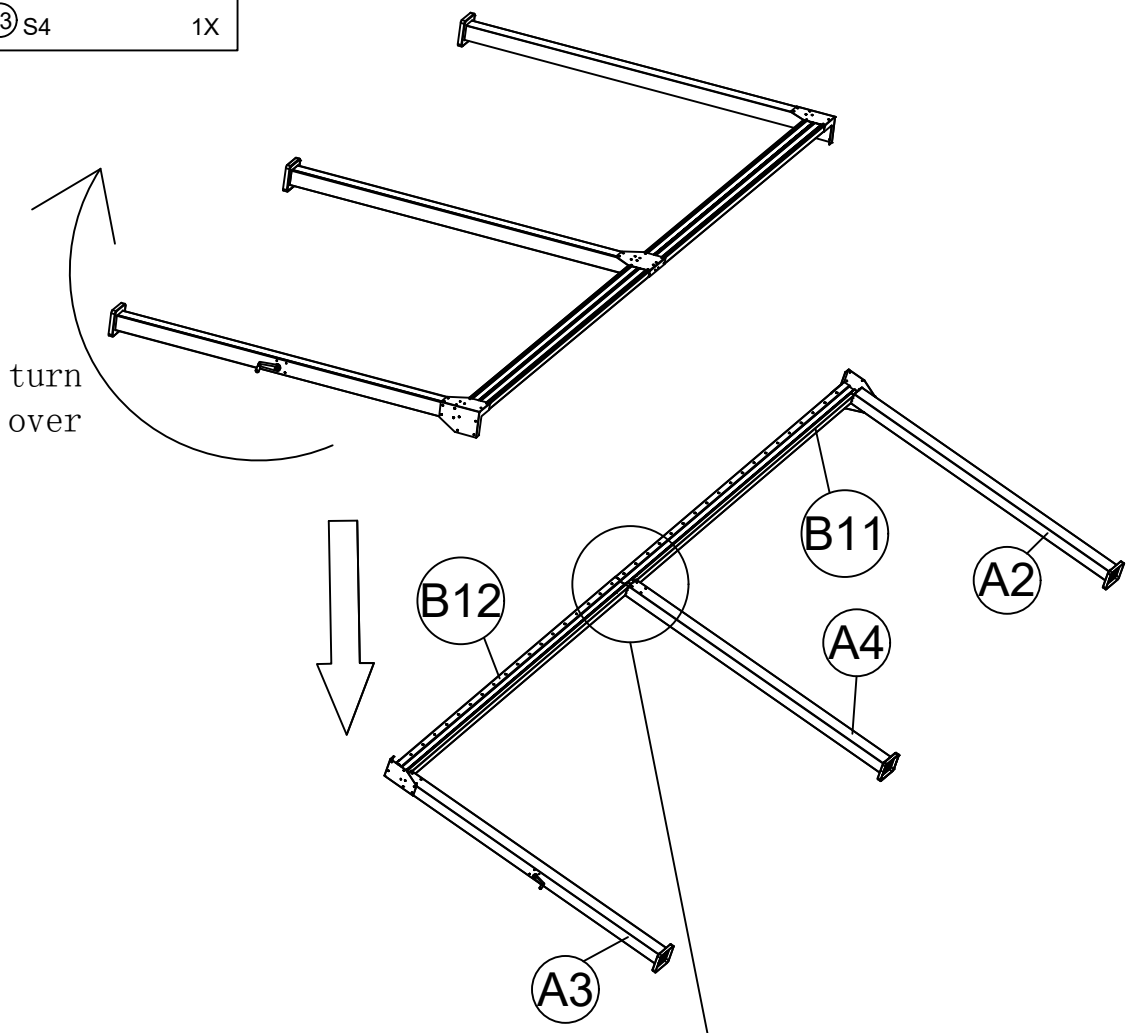
6

| | | |
|----|---|-----|
| Q |  | 1X |
| 1 |  | 16X |
| 12 |  | 1X |

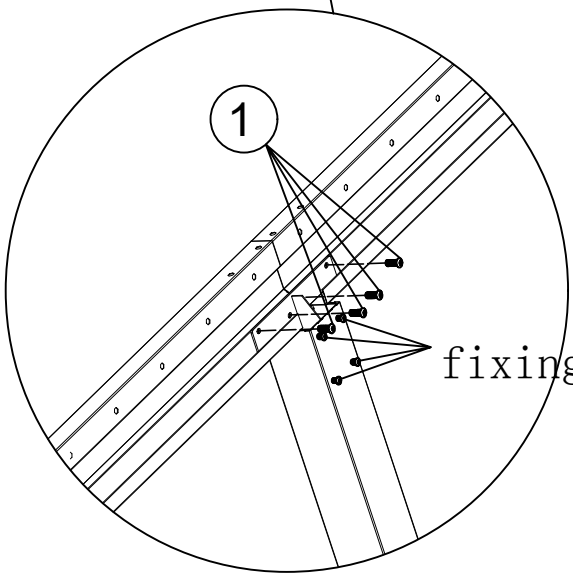


7



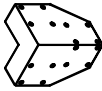
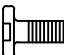
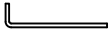
- ① M6*16 4X
- ⑬ S4 1X

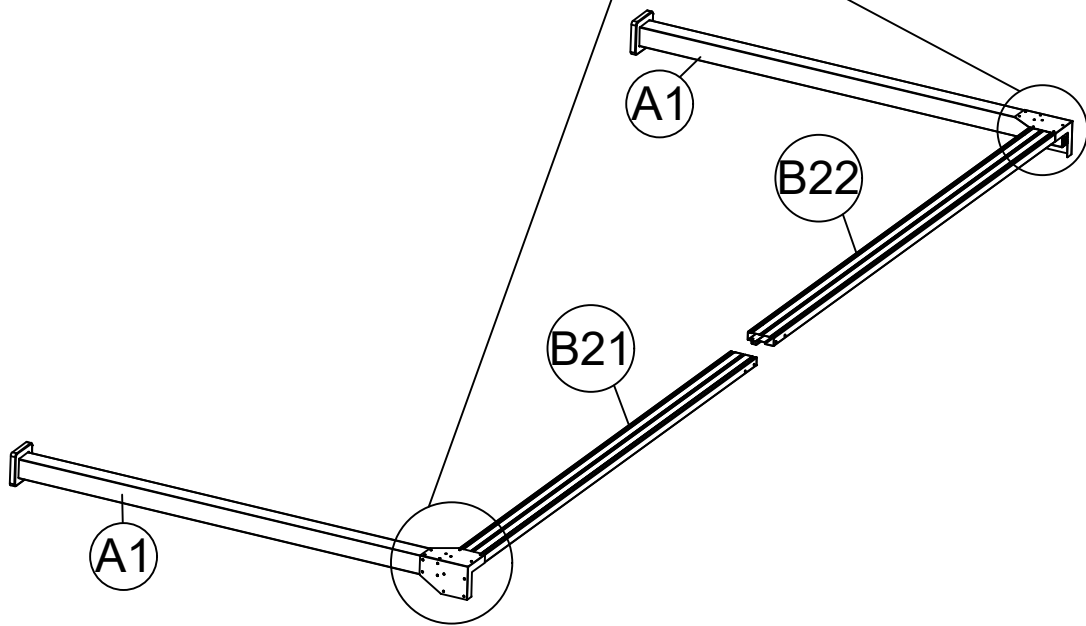
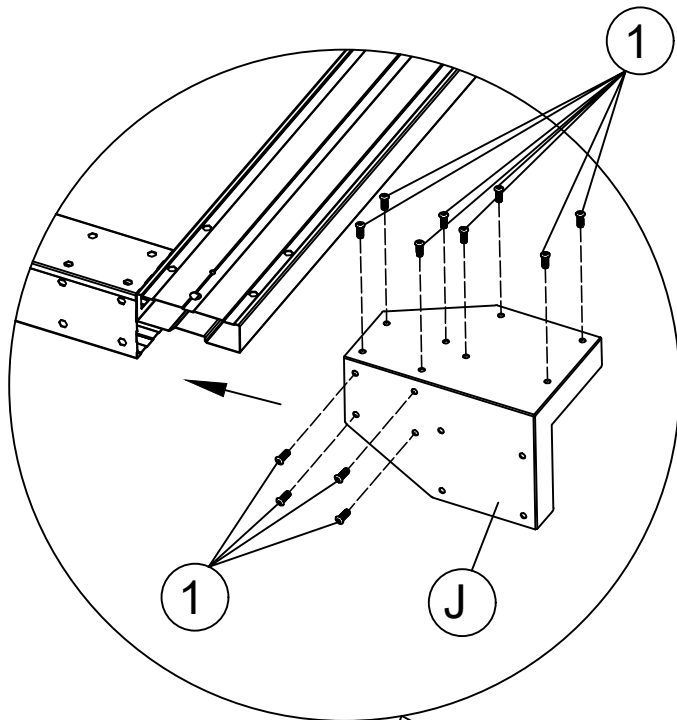


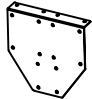
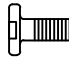
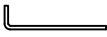
turn over

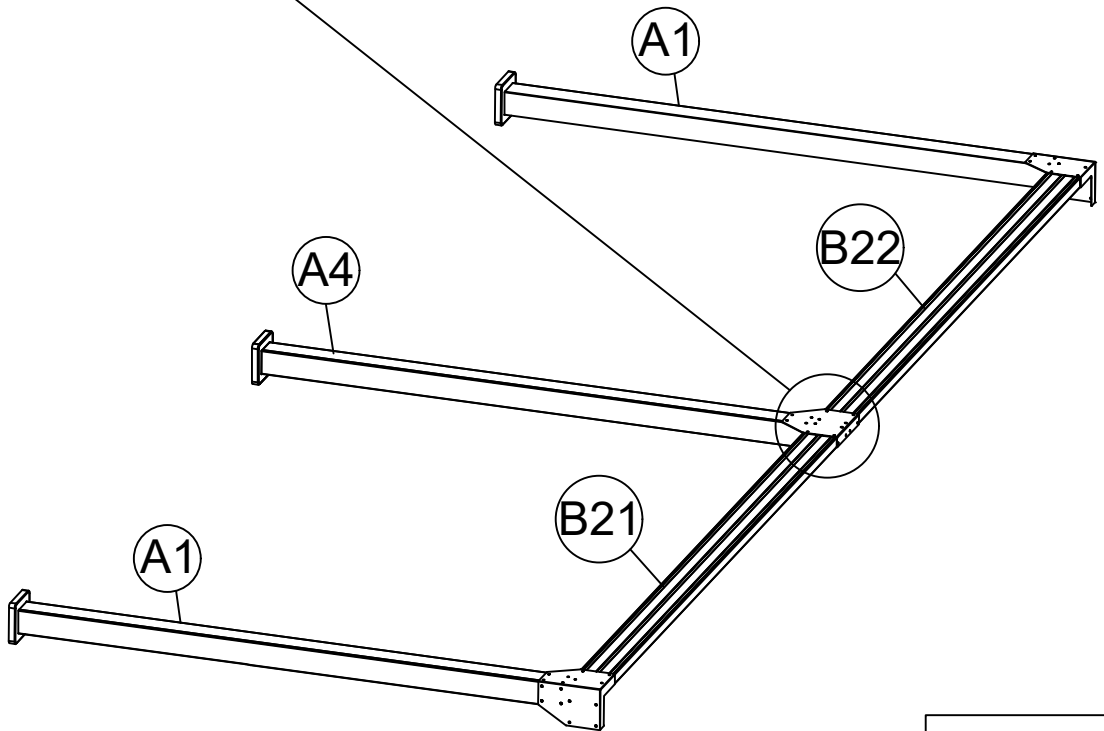
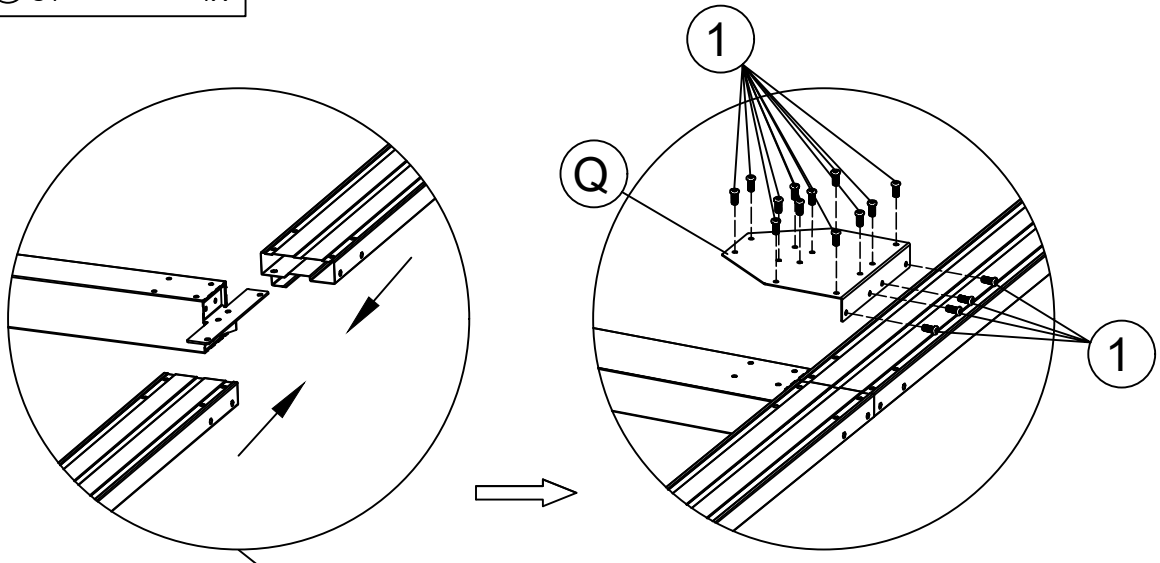


fixing is 100%

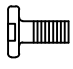

| | | |
|---|-----------|-----|
|  | (B21) | 1X |
|  | (B22) | 1X |
|  | (J) | 2X |
|  | (1) M6*16 | 24X |
|  | (13) S4 | 1X |

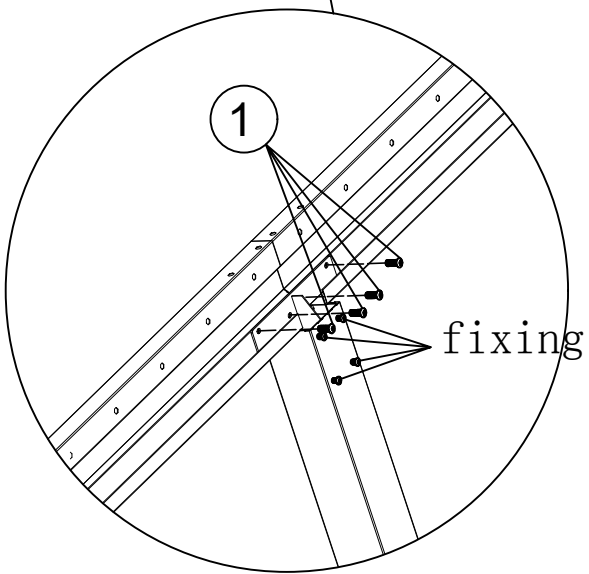
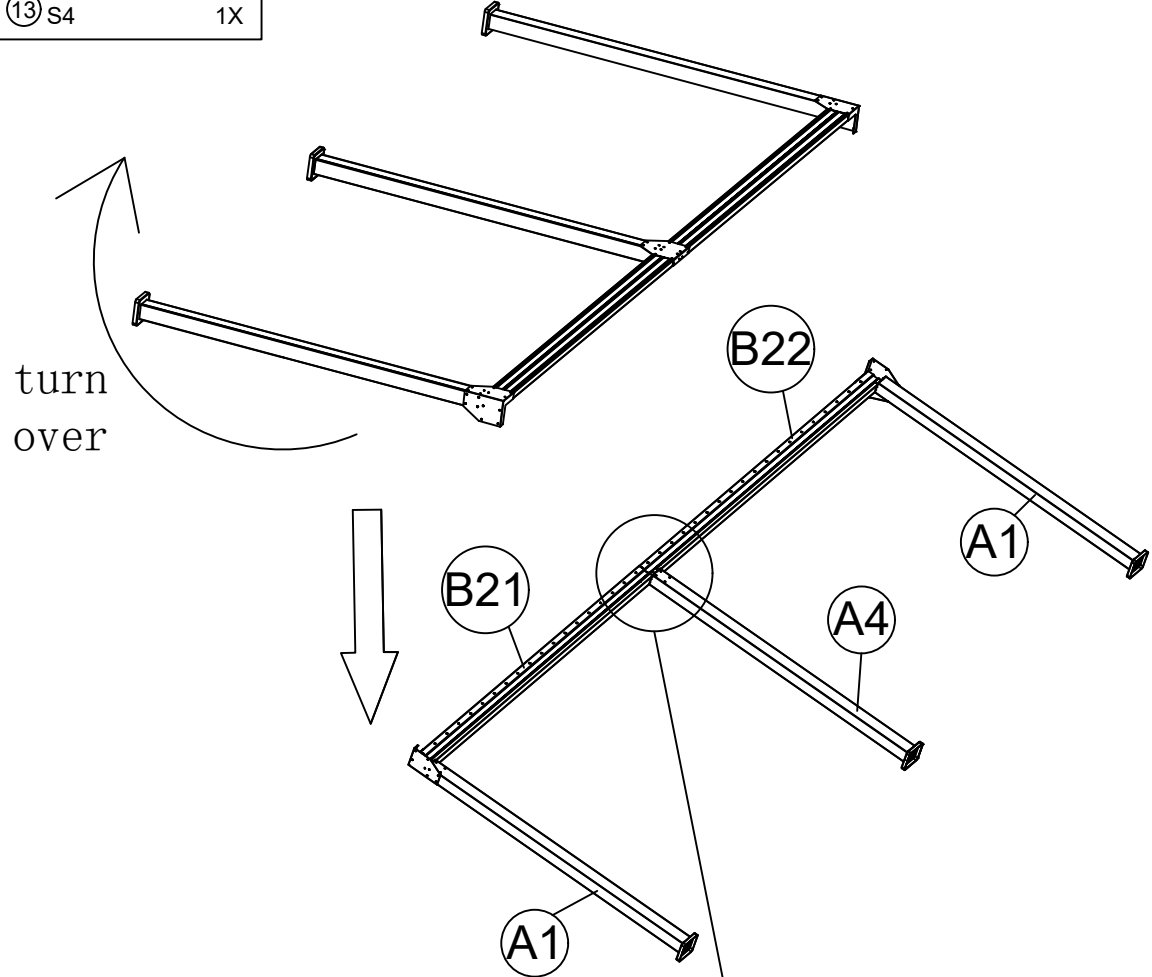



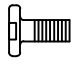

| | | |
|----|---|-----|
| Q |  | 1X |
| 1 |  | 16X |
| 13 |  | 1X |

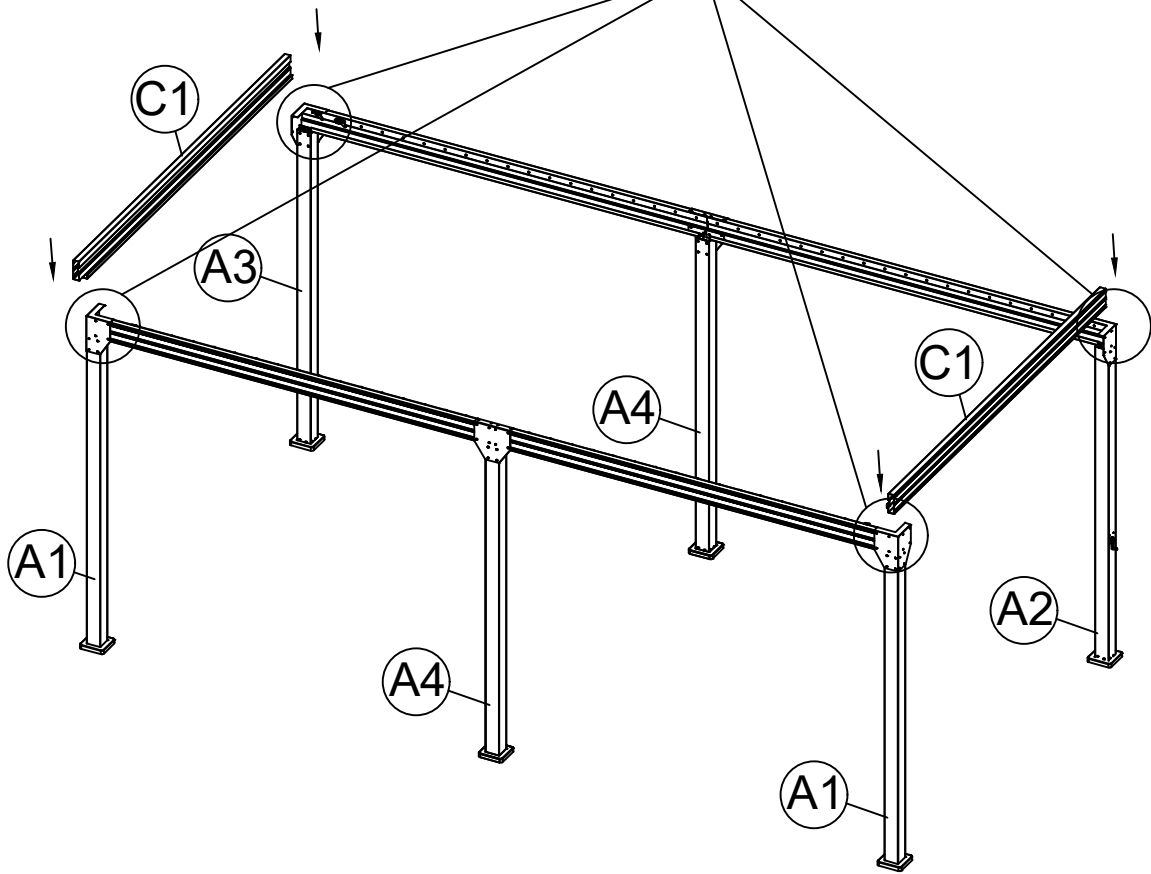
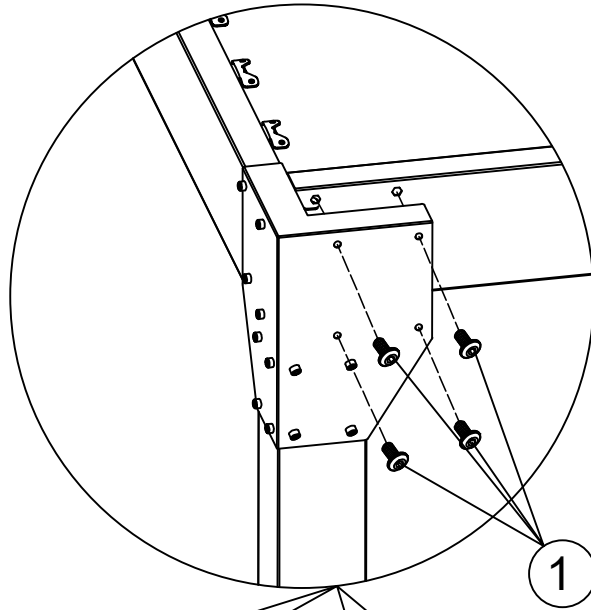



10

| | |
|---|----|
|  | |
| ① M6*16 | 4X |
|  | |
| ⑬ S4 | 1X |



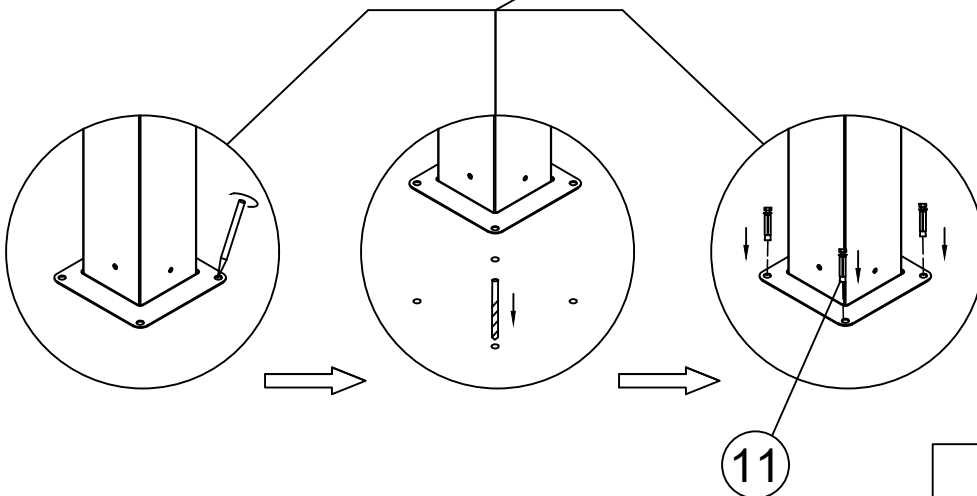
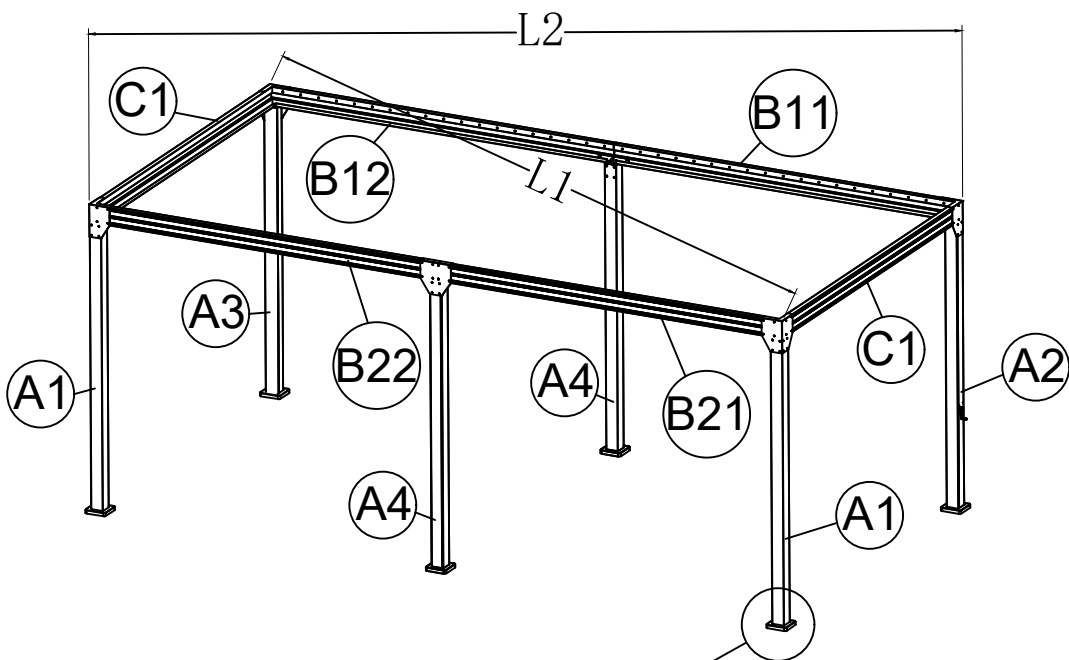
| | |
|---|-----|
|  | |
| ⓐ C1 | 2X |
|  | |
| ⓐ 1 M6*16 | 16X |
|  | |
| ⓐ 13 S4 | 1X |


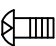


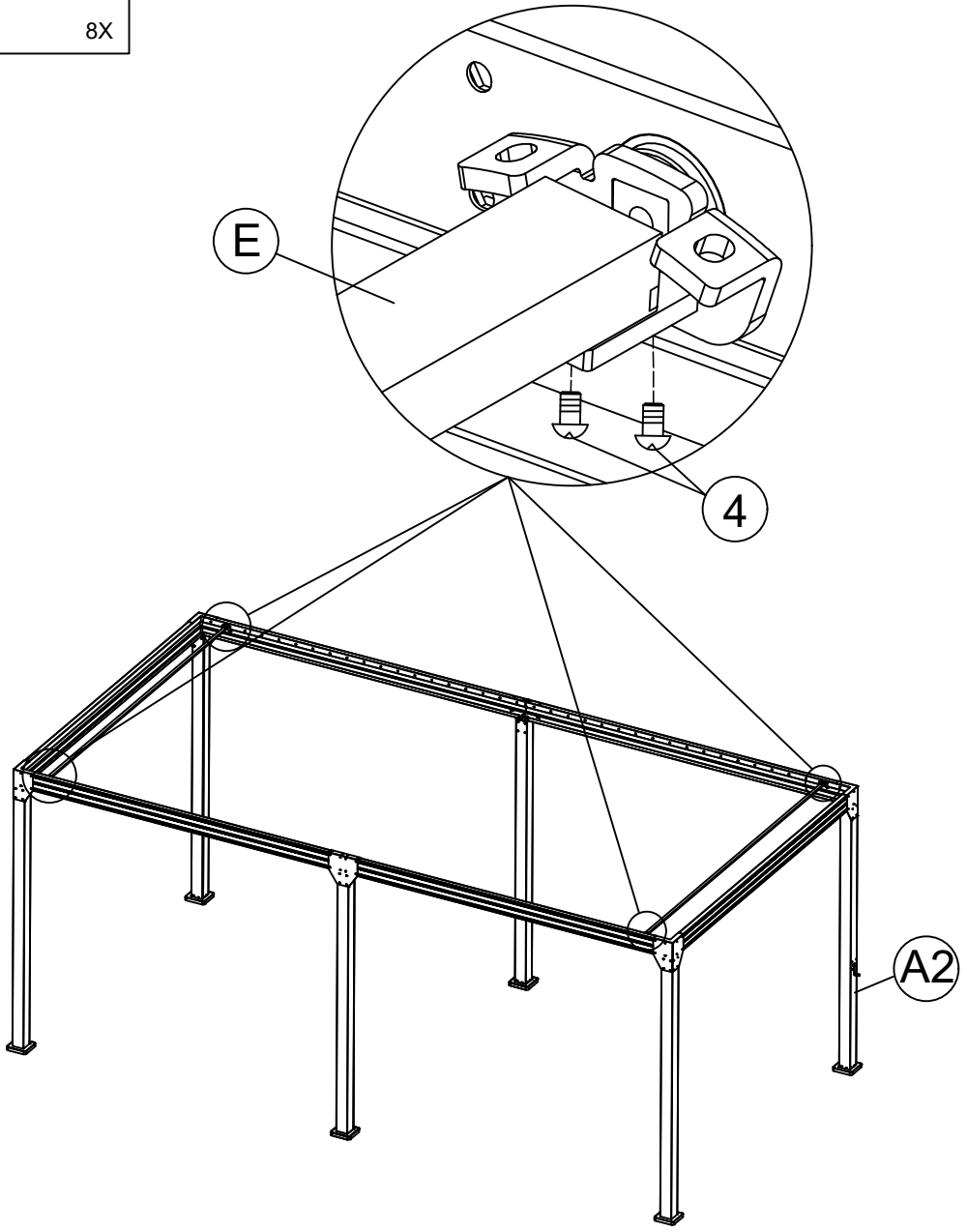

⑪ M8*60 24X



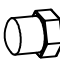
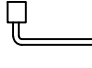


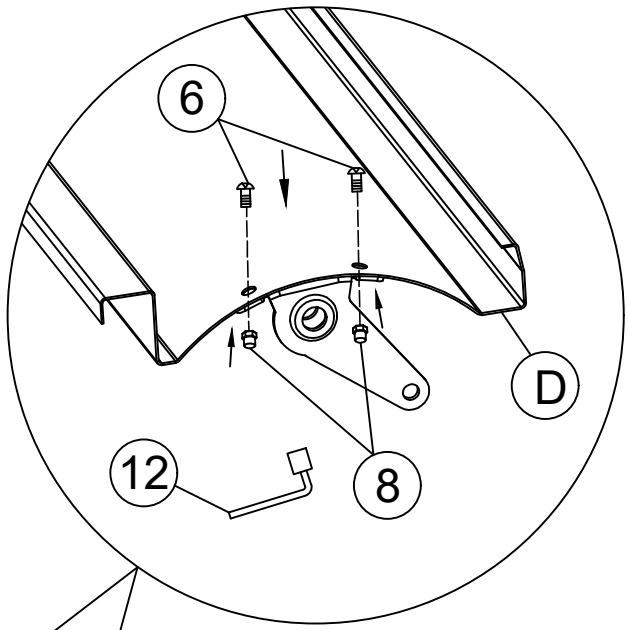
L1=L2



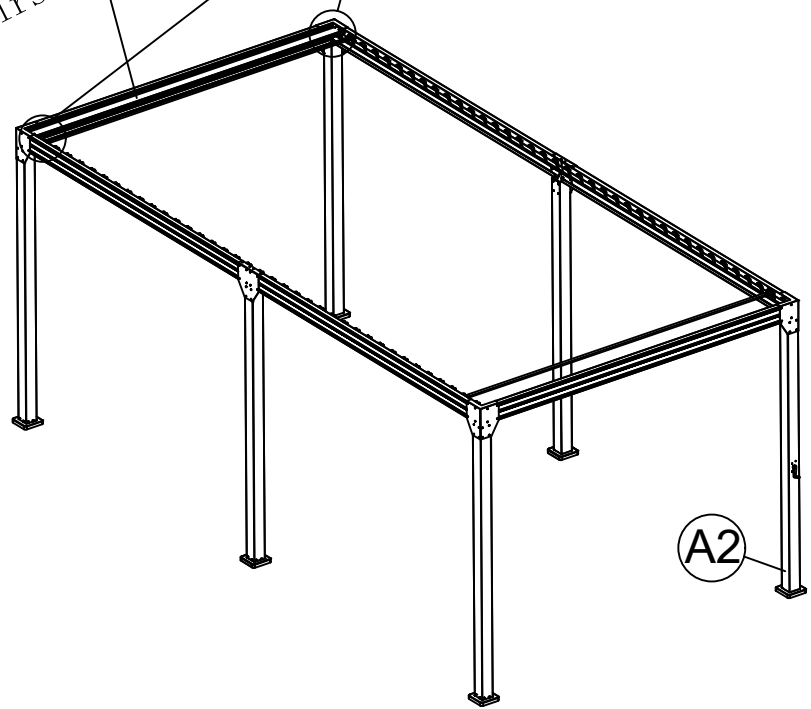
| | |
|---|----|
|  | |
| Ⓔ | 2X |
|  | |
| ④ M5*14 | 8X |


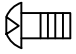

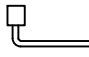


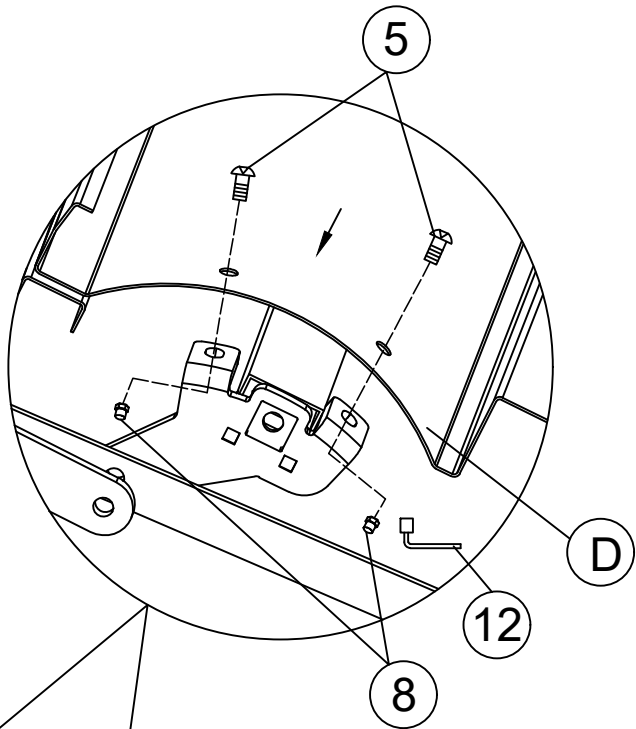
| | |
|---|----|
|  | |
| ⓓ | 1X |
|  | |
| ⑥ M5*8 | 4X |
|  | |
| ⑧ M5 | 4X |
|  | |
| ⓓ 12 | 1X |



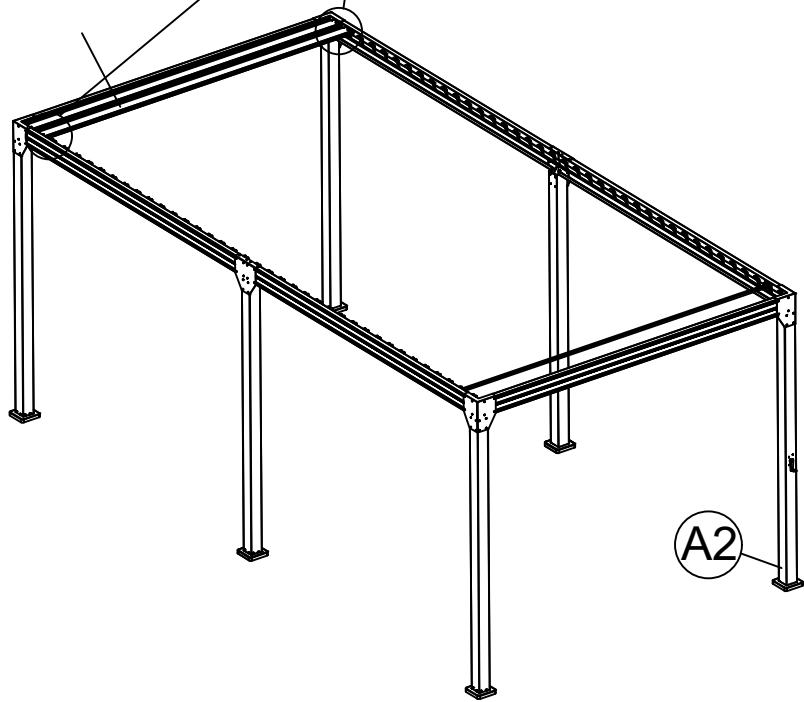
The first louver D



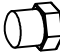
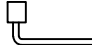


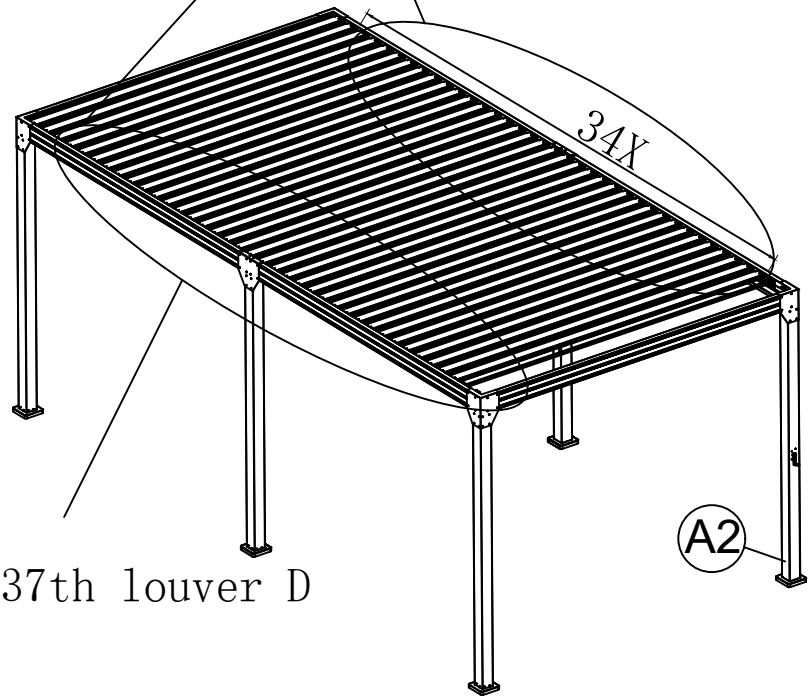
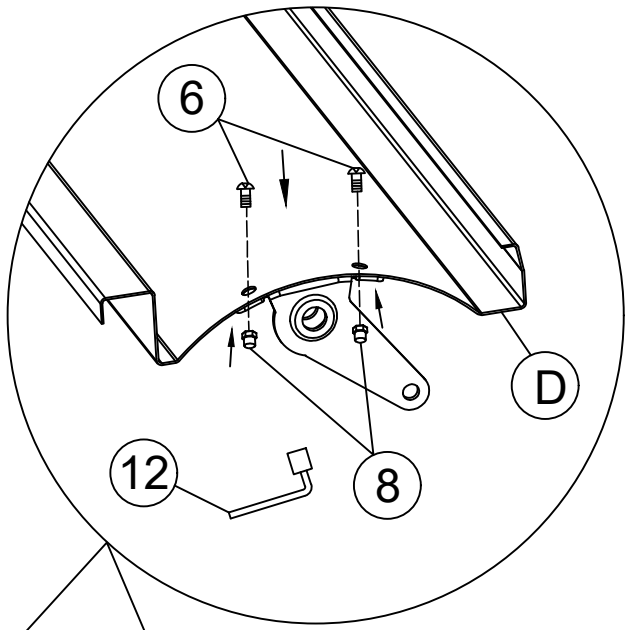
| | | |
|---|-------|----|
|  | | |
| ⓓ | | 1X |
|  | | |
| ⑤ | M5*10 | 4X |
|  | | |
| ⑧ | M5 | 4X |
|  | | |
| ⑫ | 8 | 1X |




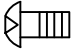
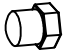
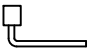
The second louver D

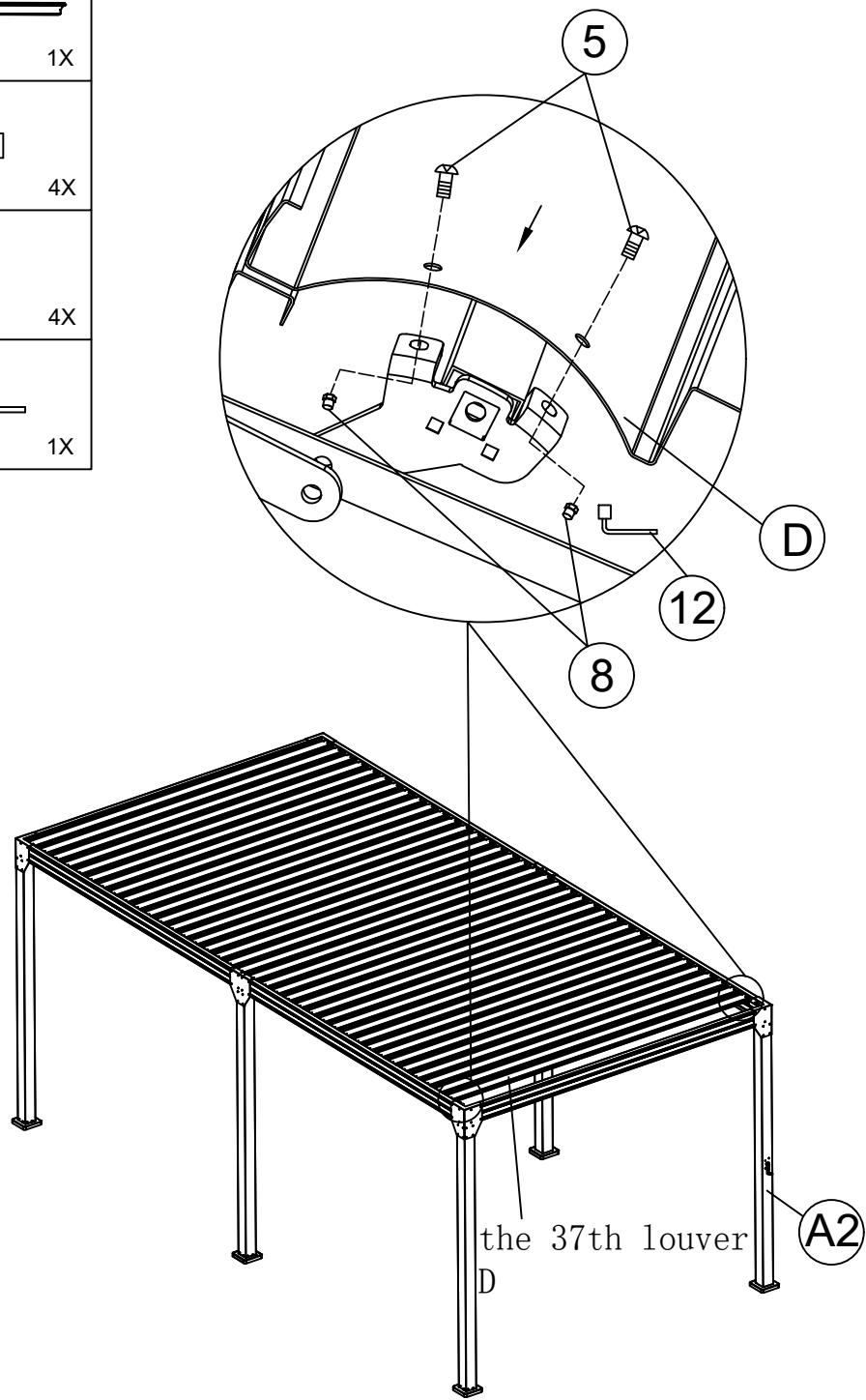




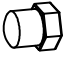
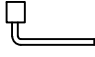
| | |
|---|------|
|  | |
| ⓓ | 34X |
|  | |
| ⑥ M5*8 | 136X |
|  | |
| ⑧ M5 | 136X |
|  | |
| ⑫ 8 | 1X |

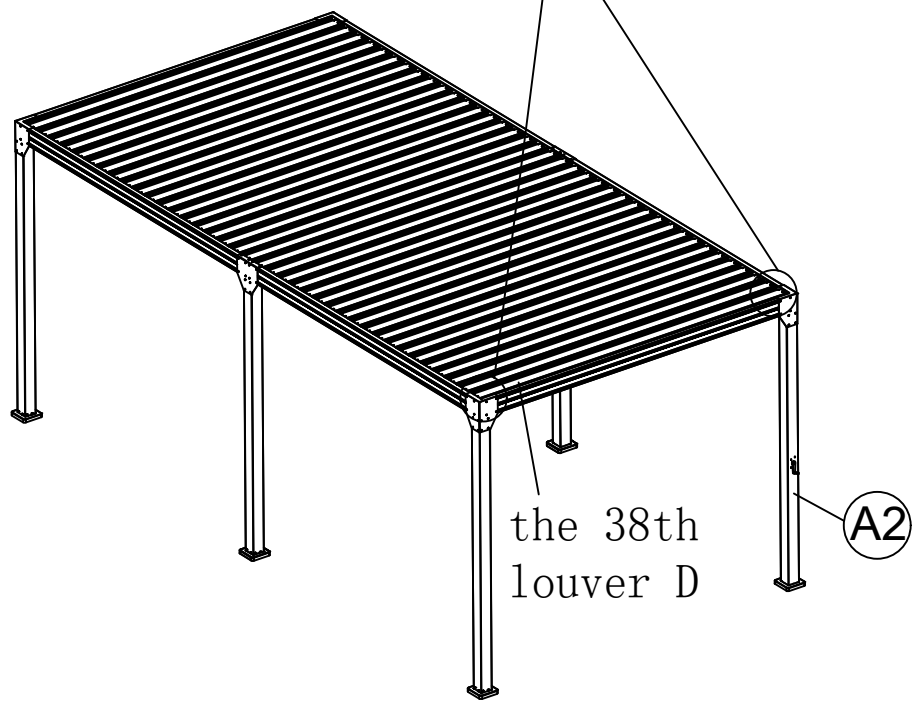
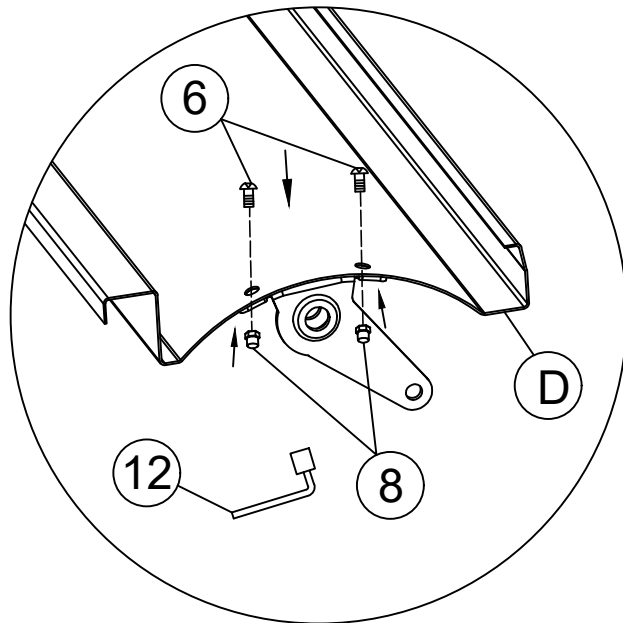


The 3-37th louver D

| | | |
|---|-------|----|
|  | | |
| ⓓ | | 1X |
|  | | |
| ⑤ | M5*10 | 4X |
|  | | |
| ⑧ | M5 | 4X |
|  | | |
| ⑫ | 8 | 1X |

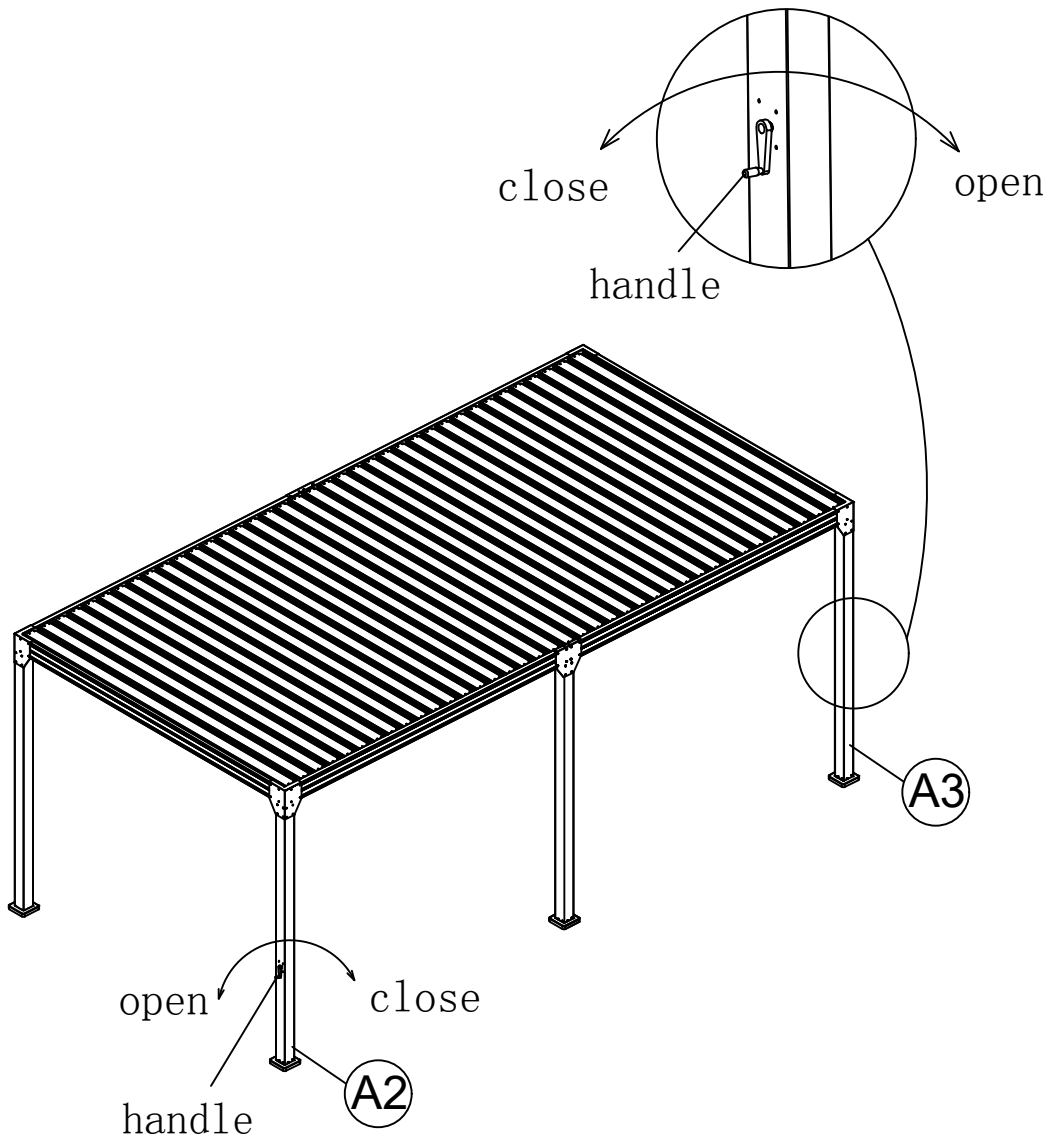


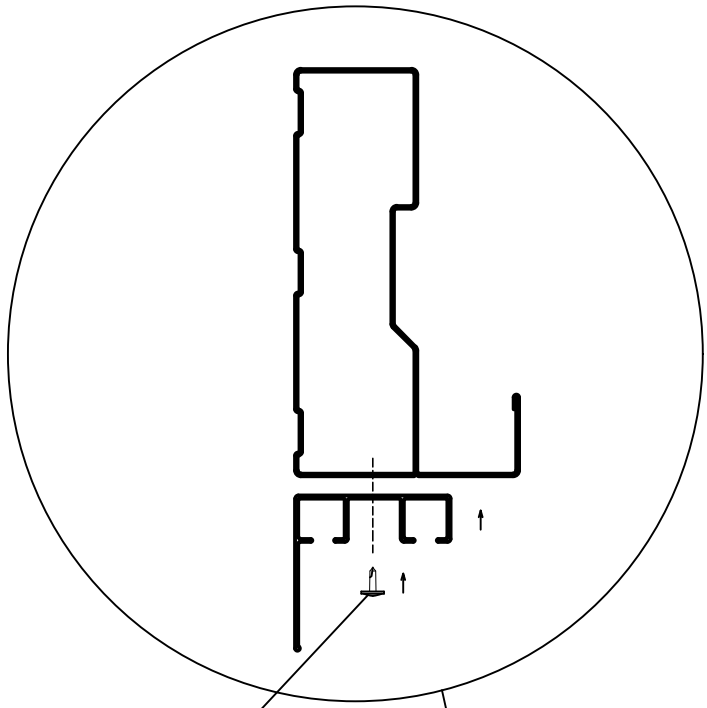
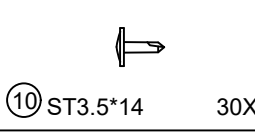
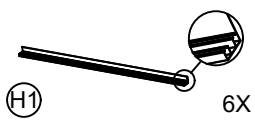
| | | |
|---|------|----|
|  | | |
| ⓓ | | 1X |
|  | | |
| ⑥ | M5*8 | 4X |
|  | | |
| ⑧ | M5 | 4X |
|  | | |
| ⑫ | 8 | 1X |



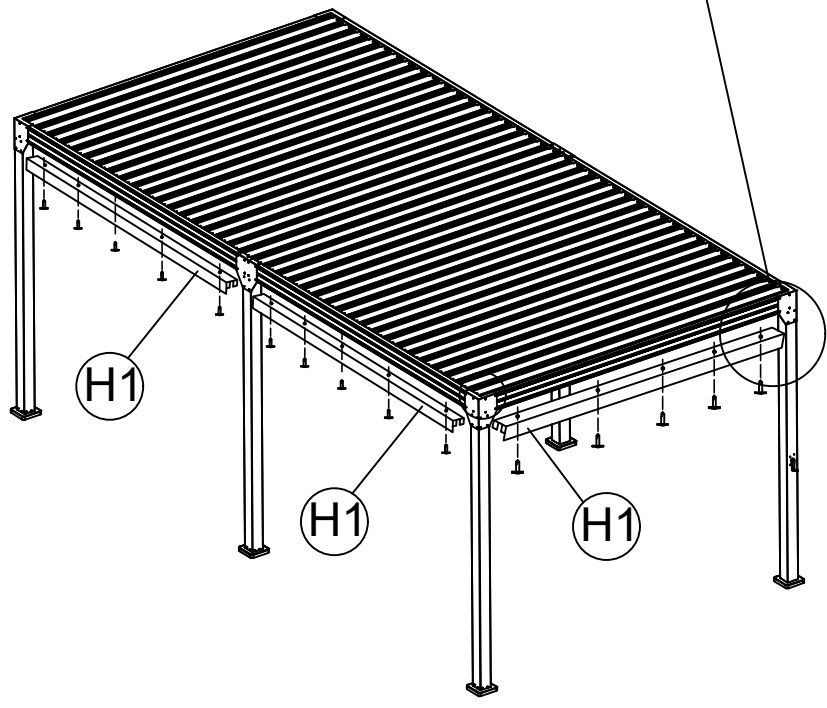
Usage method

1. Facing the handle of A2 column, turn clockwise to close the top louver, turn counterclockwise to open the top louver;
2. Facing the handle of A3 column, turn clockwise to open the top louver, and turn counterclockwise to close the top louver.





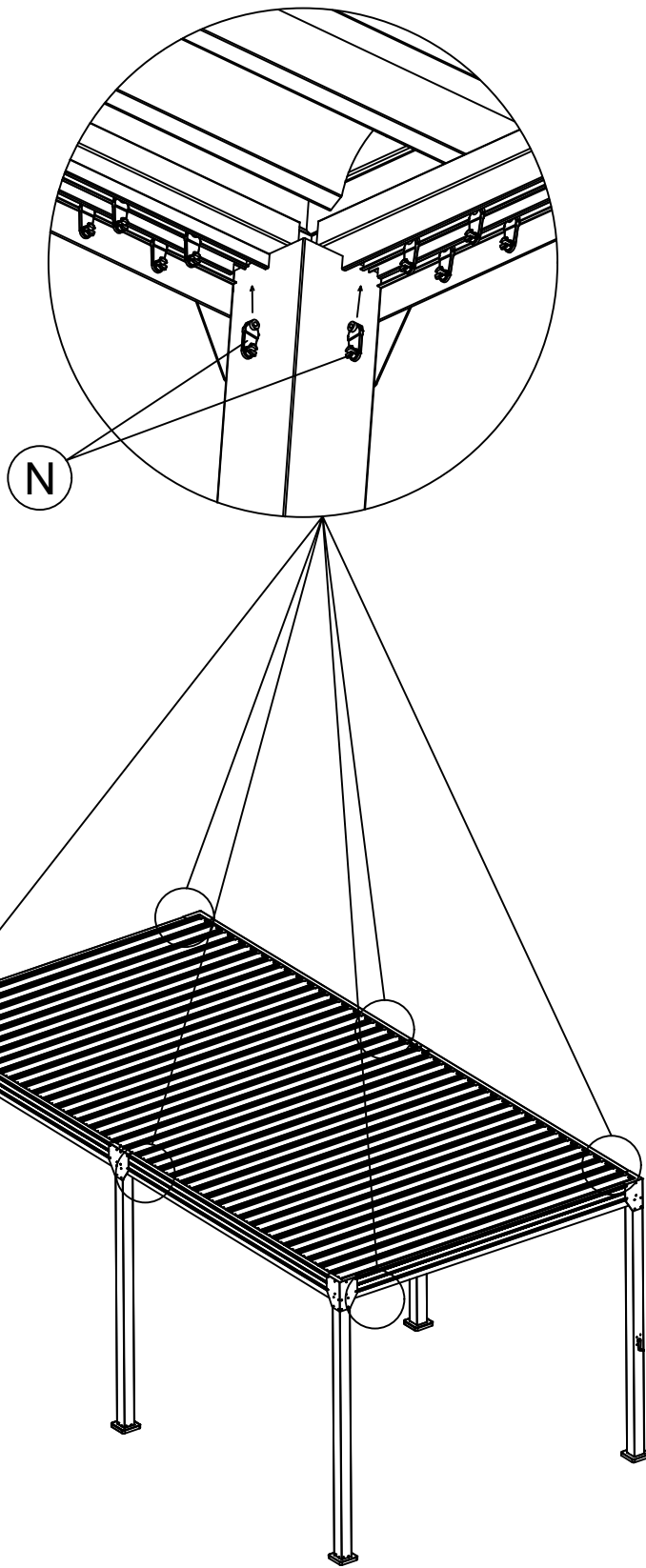
10



(N)



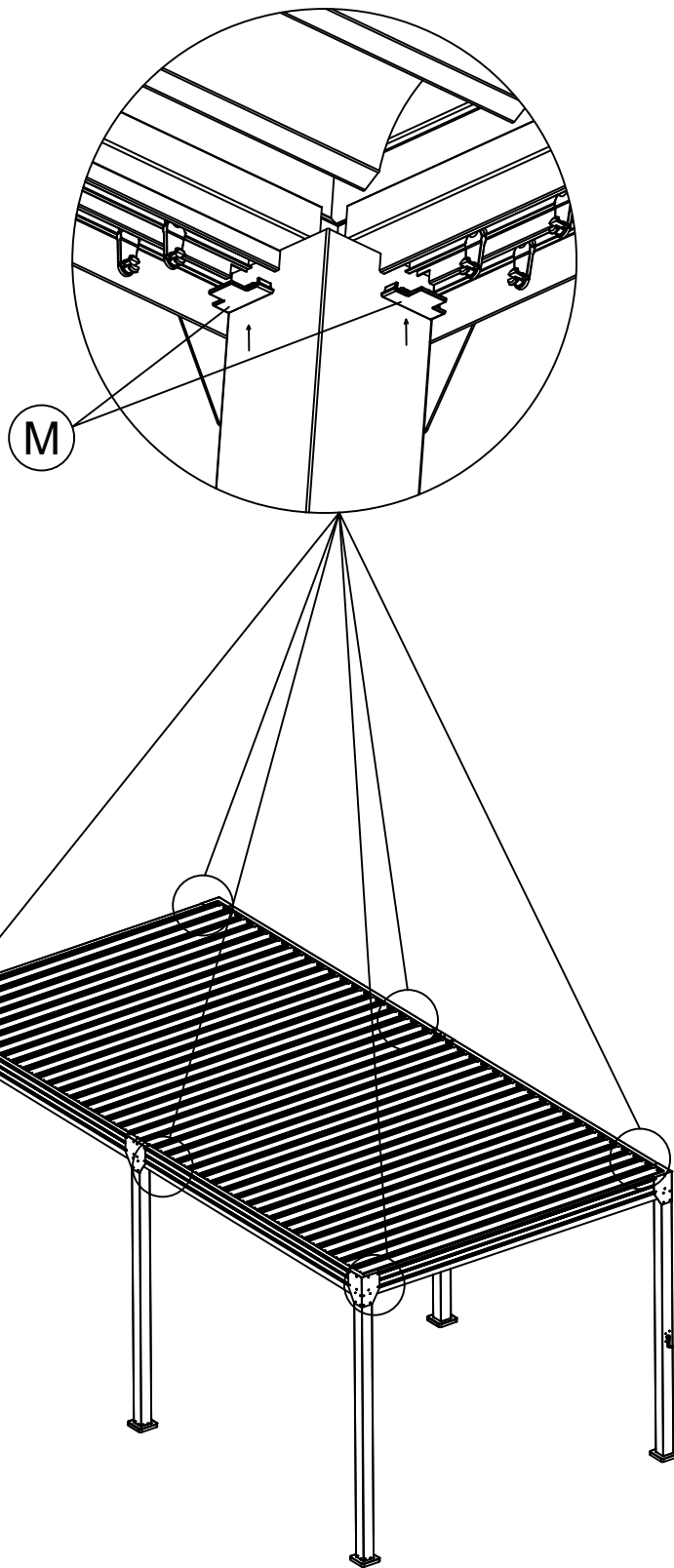
144X



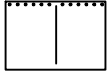
M



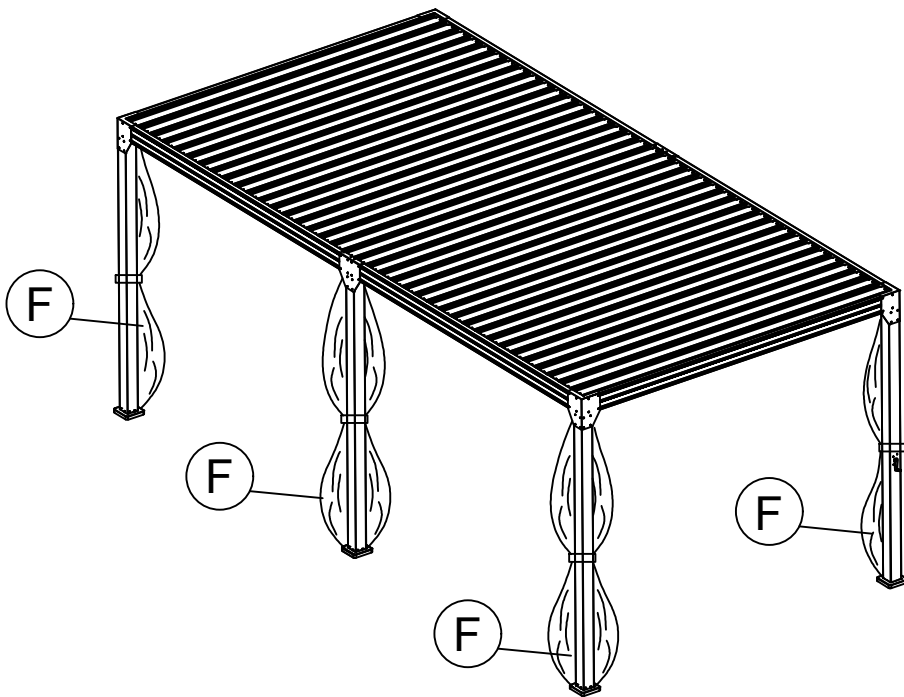
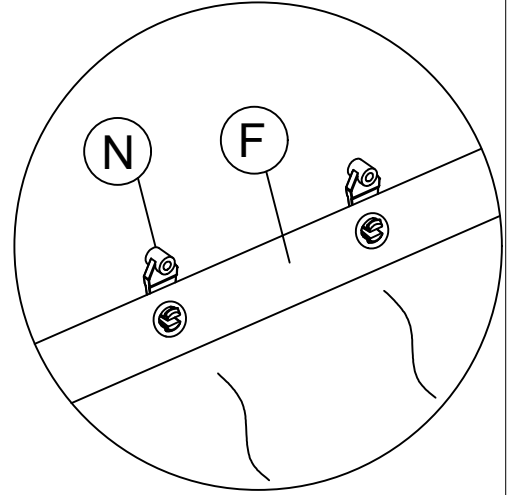
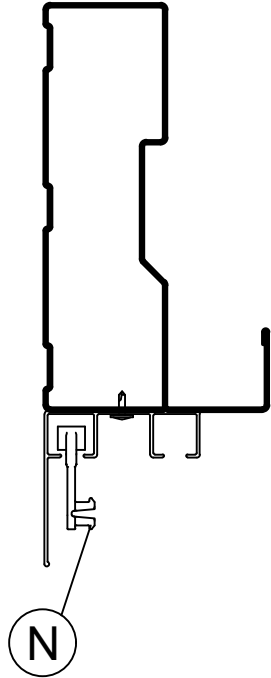
12X



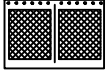
(F)



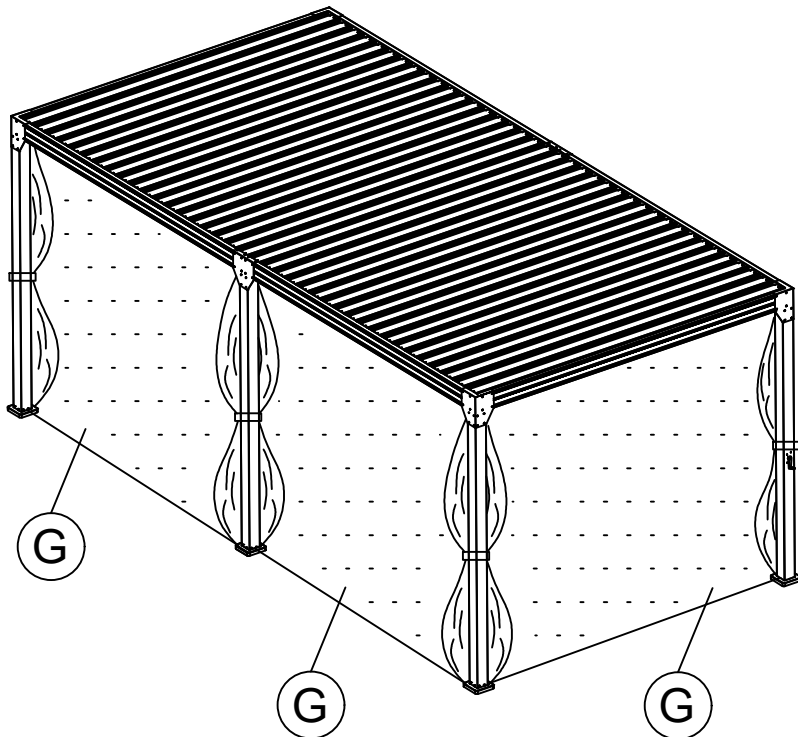
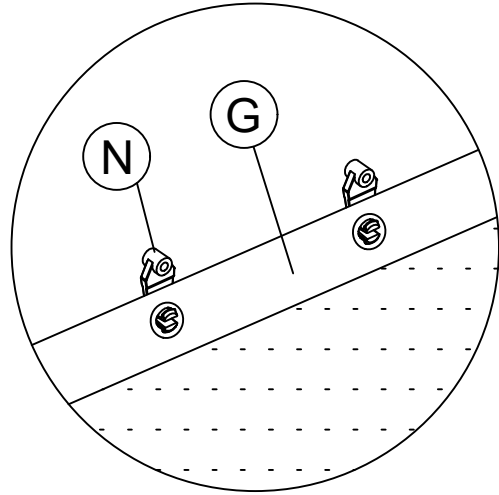
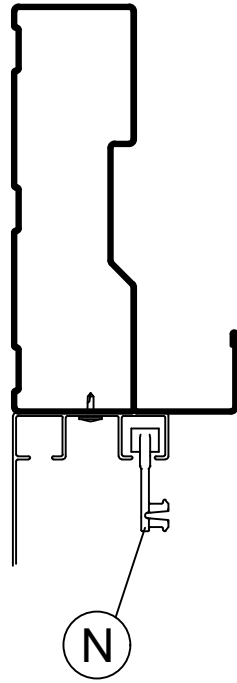
6X



G



6X



25

Contact information

Austria



Belgium



Croatia



Denmark



Estonia



Finland



France



Germany



Ireland



Italy



Latvia



Lithuania



Nederland



Norway



Poland



Portugal



Spain



Sweden



Switzerland



UK

