

**DANCOVER<sup>®</sup>**



Manual  
for  
Commercial greenhouse tunnel  
8,5x15x3,3m

# Assembly Instructions



**Dear customer / dear garden friend,**

we congratulate you on purchasing a greenhouse.

You have chosen a high quality and stable greenhouse.

Please read the assembly instructions first.

Follow this step by step!

### **Storage / keeping**

Store protected - Please store all components in a dry place and protected from direct sunlight!

### **Parts list / packing list**

Before you start to assemble the greenhouse, please use this description (material list) to check that the components supplied are complete.

Each packaging unit goes through a quality control, which also includes checking the respective quantities. Missing parts can thus be almost ruled out. If parts are still missing, please tell us the wrong position.

The manufacturer assumes no responsibility for damage caused by improper assembly or force majeure.

### **Note:**

If possible, the greenhouse should be set up in a sheltered place and not in stormy weather. It is dangerous to leave a partially assembled house!

The roof of the greenhouse must be free from snow loads greater than 10cm!

### **Safety regulations / intended use:**

Protective gloves, safety shoes and suitable head protection must always be worn when assembling polycarbonate sheets and greenhouse components.

This variant of a greenhouse is designed for growing plants and should only be used for this. Any use beyond this is considered improper.

The operator / user of the greenhouse is solely liable for any resulting damage!

The construction of the greenhouse must be carried out by at least two people! Work with safe, handcrafted tools.

Always work with gloves (risk of injury, risk of cuts)



This symbol describes the manual work, e.g. the assembly of components

You need the following tools to set up:

- Open spanner 13 mm
- Plastic hammer
- Tape measure 5m
- Spirit level (1m)
- Stepladder
- Cutter knife



Cordless screwdriver

## Frame

### List of material:

Width: 8,50m

Length: 15,00m

**Note:** *The number of items in this material list corresponds to a greenhouse length of 15.00 m.  
If the greenhouse length is longer/shorter, the individual items will be adjusted accordingly! See also delivery note!*

	Anzahl	Art.-Nr.	Benennung
2.1	18,00	9080	Arch 850
2.2	22,00	20007	Ancjor 80cm
2.3	9,00	9222	Strut 5,97m Typ 850
2.4	4,00	9241	Longitudinal tube 5,97m
2.5	2,00	9246	End piece 0,85m
2.6	2,00	9244	End piece 2,35m
2.7	0,00	9245	End piece 2,25m
2.8	30,00	9431	Longitudinal tube 1,40m
2.9	27,00	9433	Connector 1"
2.10	6,00	9434	Connector 1"
2.11	60,00	14005	Screw: 8x50
2.12	4,00	9410	Connector
2.13	9,00	9412	Connector 54er
2.14	8,00	9248	Cross pipe 1,98m
2.15	16,00	19004	Clamp 2"
2.16	9,00	9531	S-Hook Typ 850
2.17	40,00	20077	S-Hook 6mm for Film
2.18	9,00	9470	Spacer
2.19	1,00	9512	Chain tensioner
2.20	10,00	9480	Film Type 850 transparent with wire
2.21	24,00	14005	Screw: 8x50
2.22	24,00	14006	Screw: 8x70
2.23	24,00	14007	Screw: 8x80
2.24	24,00	14008	Screw: 8x100
2.25	15,00	14009	Screw: 8x130

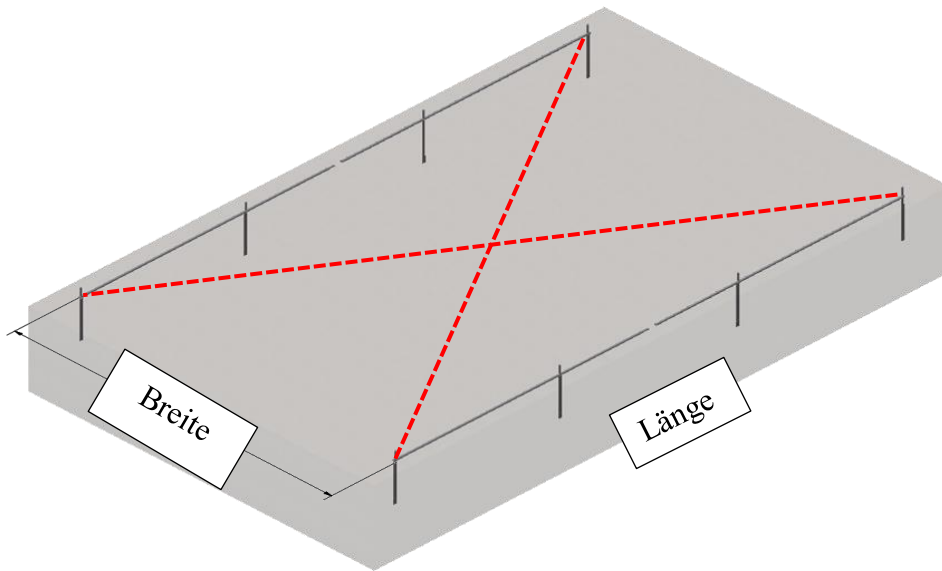
## Foundation of your greenhouse


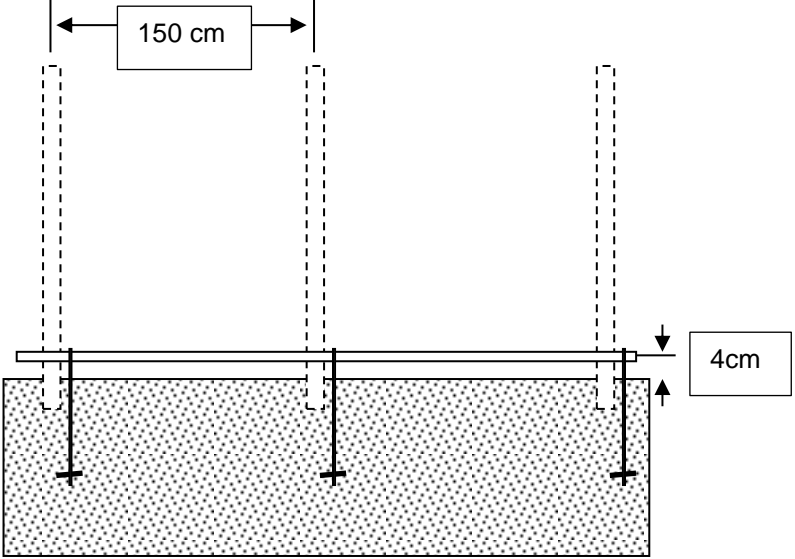
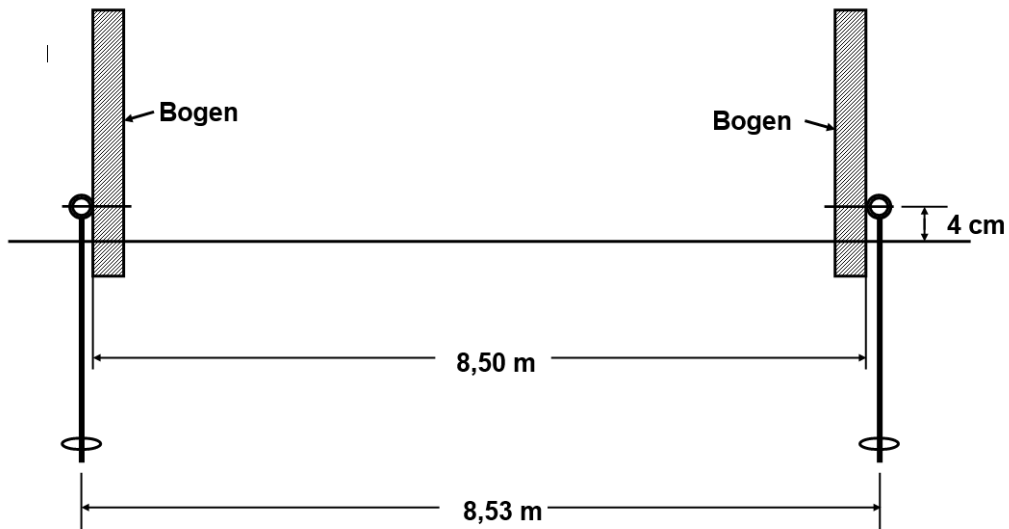
The stable and robust construction of the greenhouses allows them to be installed directly on a level, pre-compacted surface.

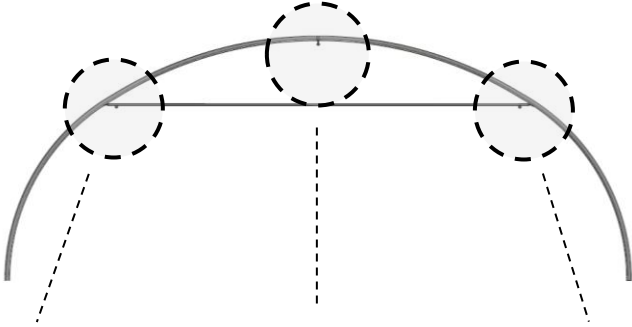




The fastening is carried out with an earth anchor system and the film has to be buried.

### Frame-assembly:

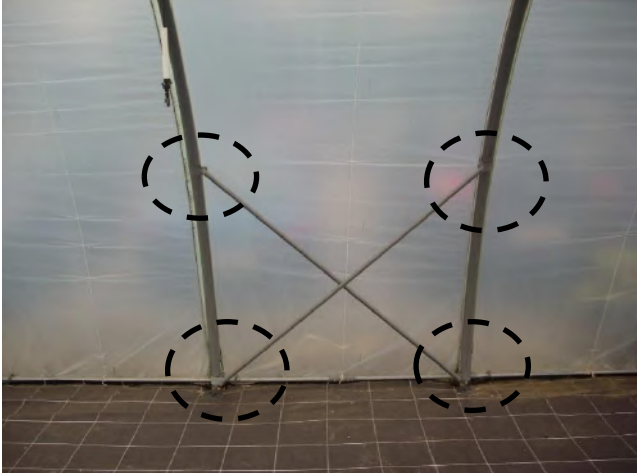
<b>1.0</b>	<b>Angle the base</b>	
1.1	Tension cords alongside	
1.2	Measure diagonally - distances must be the same	
1.3	Check parallelism	


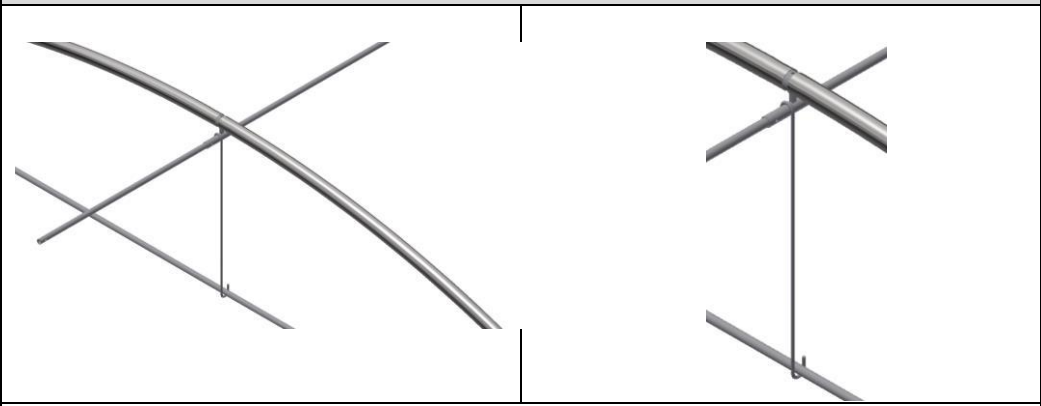


2.0	<b>Anchor / longitudinal tube</b>	
2.1		
2.2		
		
	<p>Set the anchor along the cord - for distance see 2.2</p> <p>a. Push the longitudinal tubes through the eyelets of the anchor</p> <p>b. Connect the longitudinal pipes to the pipe sections.</p> <p><i>Note: The longitudinal tubes are 6m long, the start and end pieces are shorter</i></p>	<p>2007 9241 9433 9434</p>

3.0	Arch assembling	
3.1		
		
		
3.1.1	<p>Assemble left / right arch - using connector 54</p> <p>Place spacer between archs and connector</p> <p>Fix the arch left / right to connector with screw 4.8x19</p> <p><i>NOTE: nut must point inward</i></p>	<p>9080</p> <p>9412</p> <p>14006</p> <p>14101</p>
3.1.2	<p>Place strut and screw</p> <p><i>NOTE: nut must point inward</i></p>	<p>9222</p> <p>14007</p>
3.1.3	<p>Mount connector, center</p> <p><i>NOTE: nut must point down</i></p>	<p>9433</p> <p>9470</p> <p>14009</p>
3.1.4	<p>Mount connector, right</p> <p><i>NOTE: nut must point down</i></p>	<p>9433</p> <p>14005</p>
3.1.5	<p>Mount connector, left</p> <p><i>NOTE: nut must point down</i></p>	<p>9433</p> <p>14005</p>



<b>4.0</b>	<b>Set up arch / frame</b>	
4.1		
4.1.1	Set up pre-assembled frames in field 2	
4.1.2	Push the pipe clamp left / right onto the frame <i>NOTE: The clamp leg must point inwards</i>	19004
4.1.3	Screw the frame to the longitudinal tube <i>NOTE: - The nut must point inwards</i>	14008
4.1.4	Set up pre-assembled frames in field 3	
4.1.5	Push the pipe clamp left / right onto the frame <i>NOTE: The clamp leg must point inwards</i>	
4.2	Place cross tubes between frames 2 + 3 - use a spirit level and align the frame	9248
4.2.1	Fix the cross tubes in place in the clamp	14005 14101
<b>4.3</b>	<b>Mount the cross tubes on the opposite side</b>	
4.3.1	Repeat steps 4.1.2 to 4.2.1	

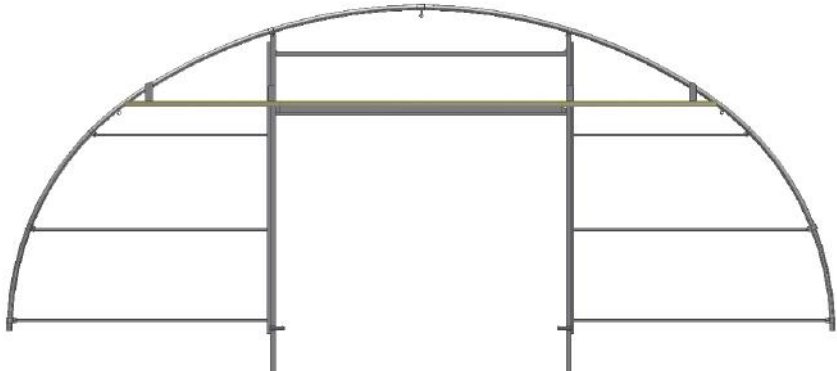
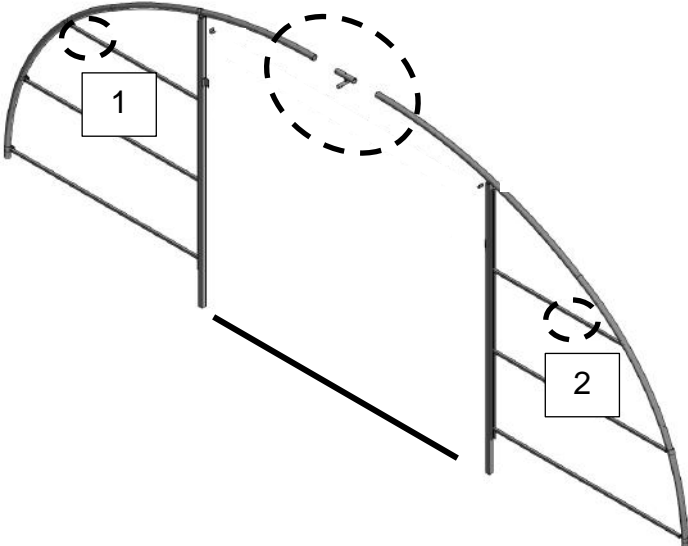
4.4	<b>Longitudinal pipes</b> NOTE - As soon as a frame is set up - mount the longitudinal tube	
		
4.4.1	Mount the center tube	9431 14005
4.4.2	Mount the longitudinal pipe on the left	9431 14005
4.4.3	Mount the longitudinal tubes on the right	9431 14005
4.5	<b>S-Hook</b>	
		
4.5.1	Put the S-hook	9531

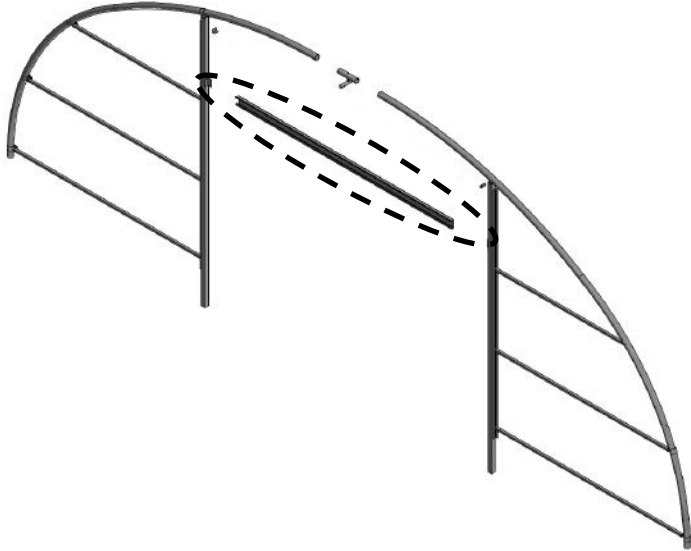
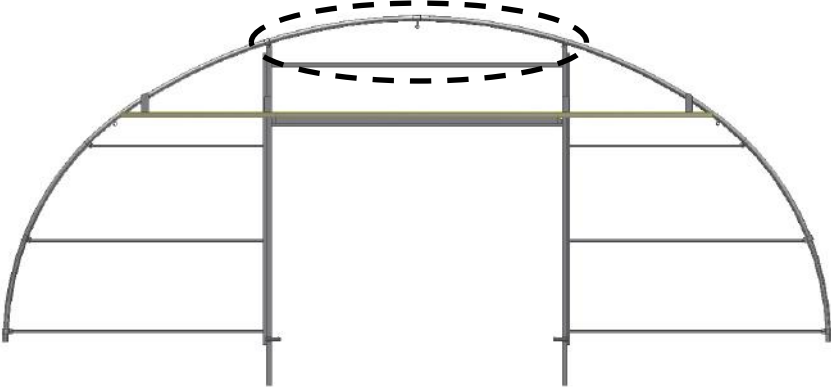

## Gable

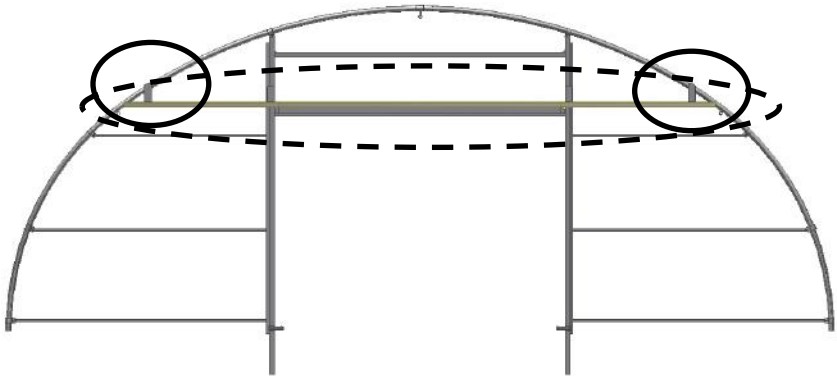
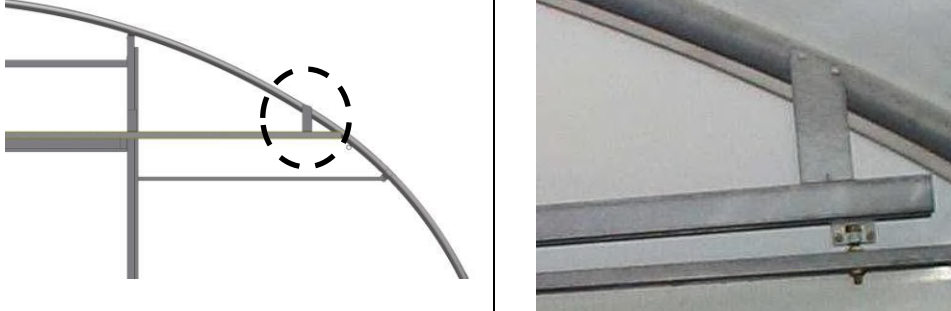
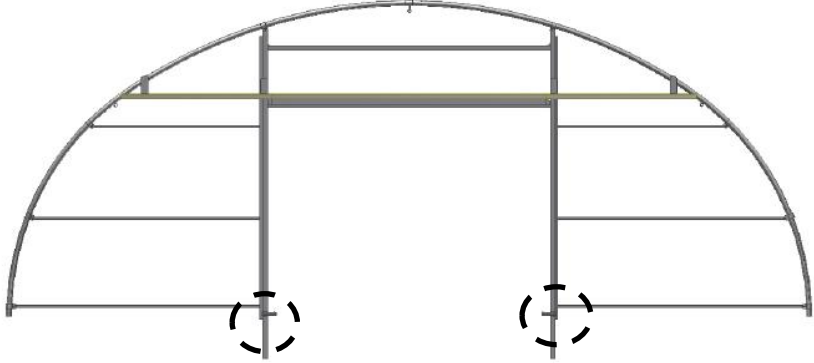

### List of material

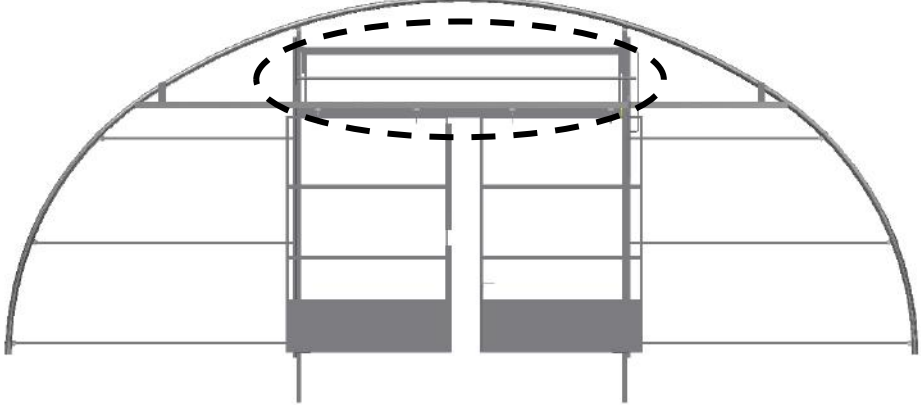

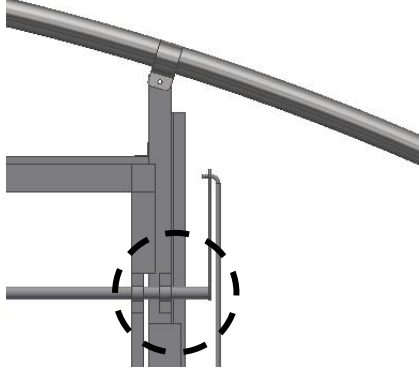
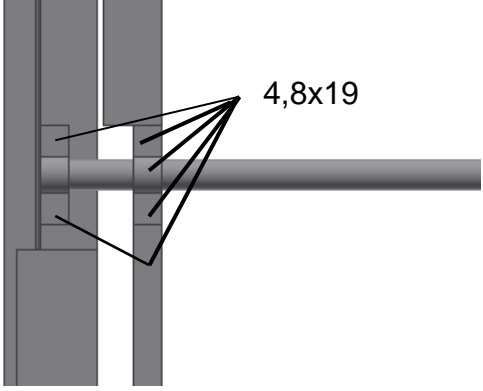

Note: For a material list, see also the delivery note

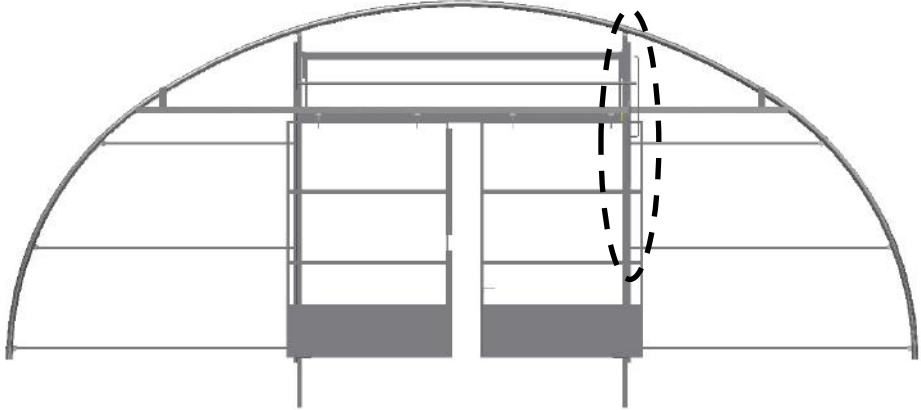
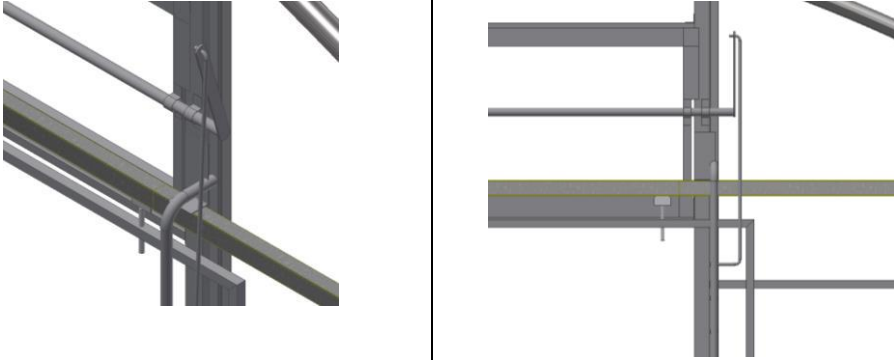

	Qty.	Part-No.	Designation
1.1	2,00	9040	Gable 850 with top part
1.2	3,04	13021	Twin wall plate 4 x3,3m auf 2,7m/4 x 2,0m x 0,6m/2 x0,5m x3m
1.3	2,00	13022	H-Profile 4 x2m
1.4	2,00	9201	Ventilation flap 850
1.5	2,00	9211	Stand 850
1.6	2,00	9215	Rod for stand 850
1.7	2,00	19020	Sapwood
1.8	4,00	9445	Clamps for ventilation flaps
1.9	2,00	9207	Screen for 850
1.10	2,00	20001	Running rail 6m
1.11	2,00	9093	Door set (r+l) 850
1.12	8,00	20003	Trolleys
1.13	4,00	20004	Door Stopper
1.14	8,00	14055	Screw 12 x 120
1.15	4,00	9429	Guide shoe holder
1.16	4,00	9442	Guide shoes
1.17	4,00	9427	Retaining plate
1.18	2,00	9423	Retaining plate left
1.19	2,00	9424	Retaining plate right
1.20	80,00	14101	Self drilling screw.: 4,8x19
1.21	236,00	14102	Self drilling screw.: 4,8x19 m.D.
1.22	2,00	20014	Foam tape
1.23	2,00	9061	Aufbau Construction aid

1.0	<b>Gable assembly</b>	
		
1.1	<b>Gable element</b>	
		
1.1.1	Assemble gable element left / right using connector 54 <i>NOTE: nut must point down</i>	9080 9412 14006
1.1.2	Mount connector, center Place spacer between pipe bend and connector <i>NOTE: nut must point down</i>	9434 9470 14009
1.1.3	Mount connector, right – drilling in square tube (Pos.1) <i>NOTE: nut must point down</i>	9434 14005
1.1.4	Mount connector, left - drilling in square tube (Pos.2) <i>NOTE: nut must point down</i>	9434 14005
1.1.5	Place the assembly aid between the door posts <i>Note: Check the parallelism of the door posts</i>	9061 14101

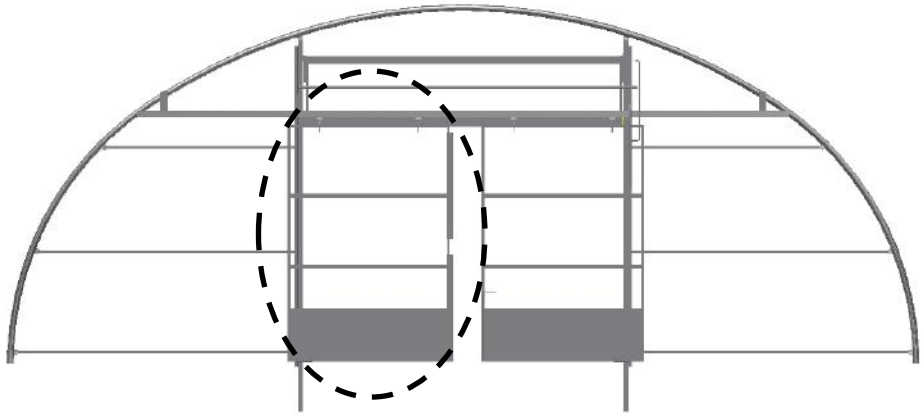
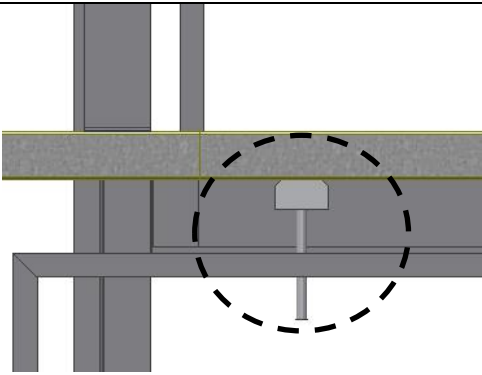

1.2	<b>Screen</b>	
		
1.2.1	Screw the screen to the pre-fabricated bracket	9207 14101
1.3	<b>Upper part of the gable</b>	
		
		
1.3.1	Mount the pre-assembled upper part of the gable	14101
	<i>NOTE: Use existing screw holes for positioning</i>	

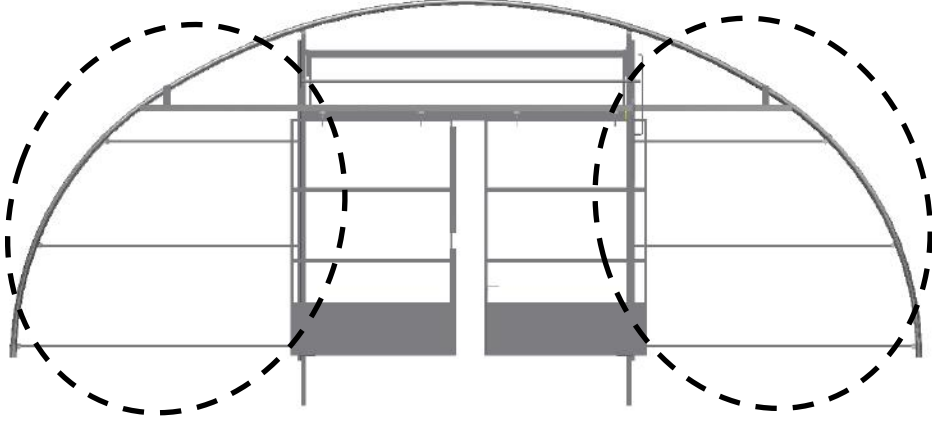


1.4	<b>Running rail</b>	
		
		
1.4.1	Mount the running rail <i>Note: distance between running rail and post must be 15mm</i>	20001
1.4.2	Mount the retaining plate on the right	9424 14101
1.4.3	Mount the retaining plate on the left	9423 14101
1.5	<b>Guide shoes</b>	
		
		
1.5.1	Mount guide shoe holder left / right	9429 14101
1.5.2	Mount the left / right guide shoe	9442 14101






1.6	<b>Ventilation flap</b>		
			
1.6.1	Position ventilation flap - align evenly between the profiles	9201	
			
	 <p>4,8x19</p>		
1.6.2	Fasten the ventilation flap with clamps	9445	
1.6.3	Position and fix the clamps on the left	14101	
1.6.4	Position and fix the half clamps on the right	14101	

1.7	Rod for stand	
		
		
		
1.7.1	Mount the „rod for place“ (linkage)	5211 14101
1.7.2	Mount the retaining plate	9427 14101
1.7.3	Attach the „rod for stand“ (linkage)	9215 19020



1.8	Doors	
		
	 	
1.8.1	Screw the trolleys into the holes provided	20003
1.8.2	Hang the door on the track	
1.8.3	Place the door stop at the end of the track	20004

1.9	Close the gable		
			
1.9.1	<p>Place twin-wall sheets and screw them together</p> <p><i>NOTE: Screws with sealing washer</i></p> <p><i>NOTE: Screw spacing approx. 30cm</i></p> <p><i>NOTE: Adapt the twin-wall sheet to the arch contour using a cutter knife</i></p>	<p>13021</p> <p>14102</p>	
		<p>H-Profile</p> 	
1.9.2	Connect the joint edge of the twin-wall sheet with the H-profile	13022	
1.9.3	Foam adhesive tape - tape off the sharp edge of the twin-wall sheet as protection for the film	20014	
1.9.4	Repeat steps 1.9.1 - 1.9.3 for the other half of the gable		

2.0	Film	
	<p><b>NOTE: prerequisite for the installation of the foil is calm and temperatures above 8 ° C!</b></p> 	
2.1	Roll out the foil on the ground	
2.2	Fasten the chain with the hooks on arches 1 + 2 on the lower chord.	
2.3	Pull the film over the sheet / frame	
2.4	Fasten the chain with the hooks on arches 1 + 2 on the lower chord.	
	 	
	 	
2.5	Tension the film - chain tensioner	9512
2.6	If necessary, dig in the excess film	

## Contact information

Austria



Belgium



Croatia



Denmark



Estonia



Finland



France



Germany



Ireland



Italy



Latvia



Lithuania



Nederland



Norway



Poland



Portugal



Spain



Sweden



Switzerland



UK

