

**DANCOVER<sup>®</sup>**

**.com**

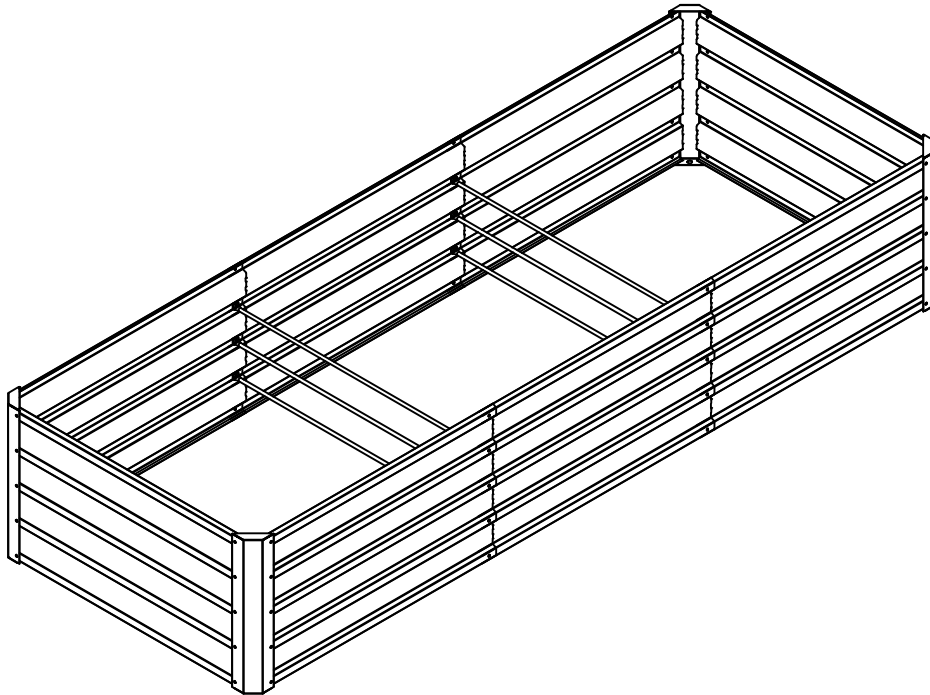
Manual  
for  
Raised Garden Bed  
0,9x2,44x0,47m

# Metal Garden Bed

## OWNER'S MANUAL

### Instructions for Assembly

---



Requires two people for Installation

Quick & Easy Assembly

Ridge Reinforced Walls

Available in Various Sizes

# BEFORE YOU START

---

## Owner's Manual

Study and understand this owner's manual. Important information and helpful tips will make your construction easier and more enjoyable.

## Assembly instructions

Instructions are supplied in this manual and contain all appropriate information for your building model. Review all instructions before you begin. During assembly, follow the step sequence carefully for correct results. Please be aware: **this unit takes two people to complete.**

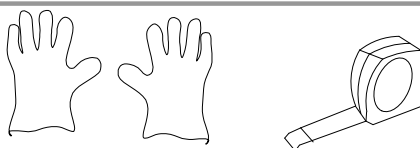
## Parts

Check to be sure that you have all the necessary parts for the building. Separate contents of the carton by the part number while reviewing parts list. Familiarize yourself with the hardware and fasteners for easier use during construction. These are packaged within the carton.

---

## TOOLS MAY REQUIRED

---

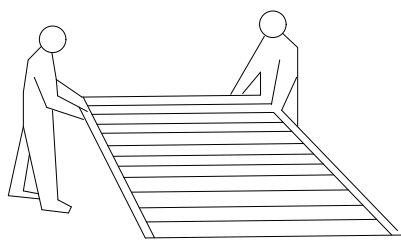


**Use heavy duty gloves when handling steel sheets and flashing**

---

## PLAN AHEAD

---



### Watch the weather:

Please be sure the day you select for installation is dry and calm.

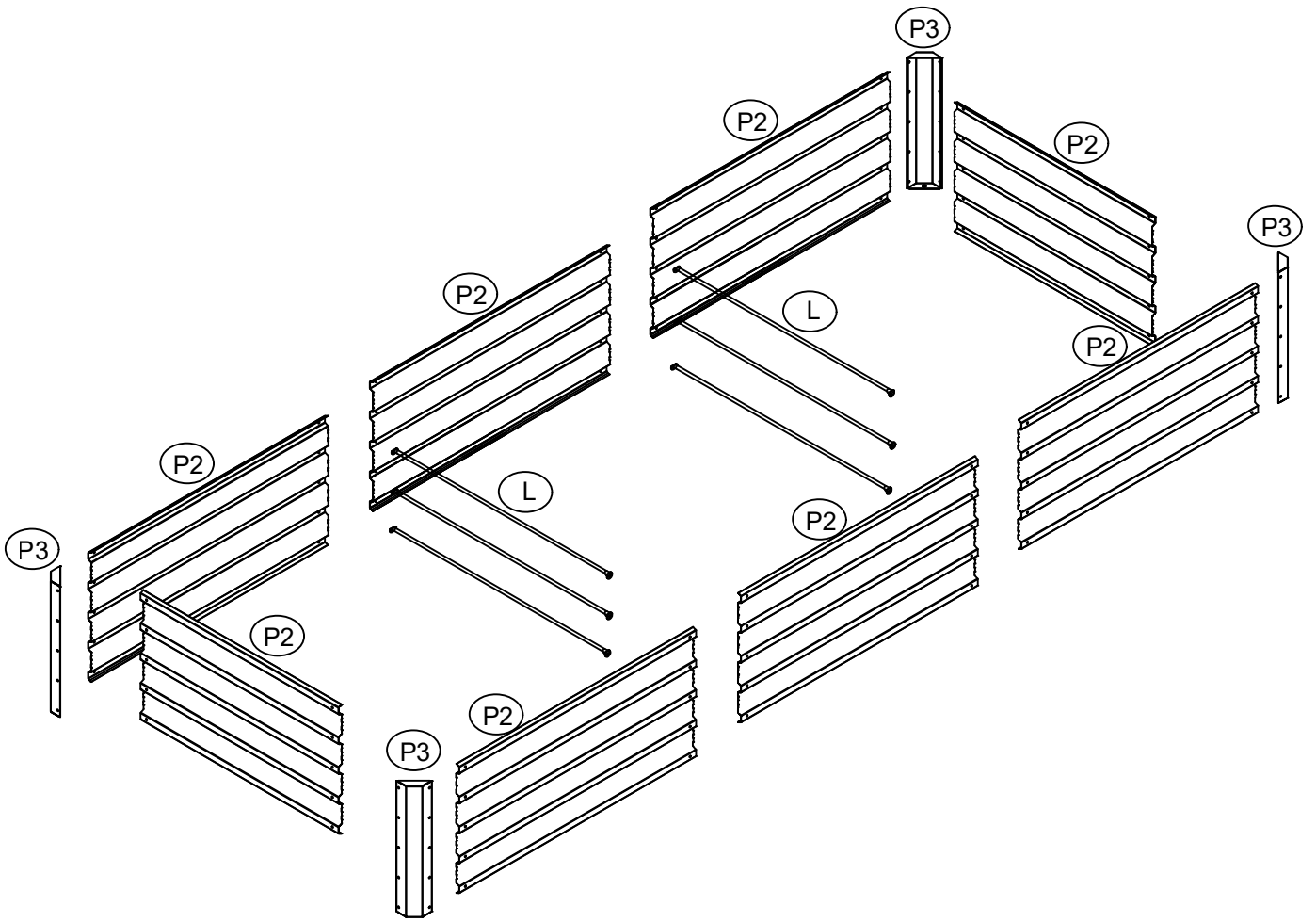
### Teamwork:




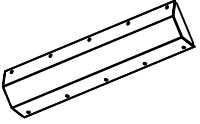

Whenever possible, two or more people should work together to assemble the building. One person can position parts or panels while the other is able to handle the fasteners and the tools

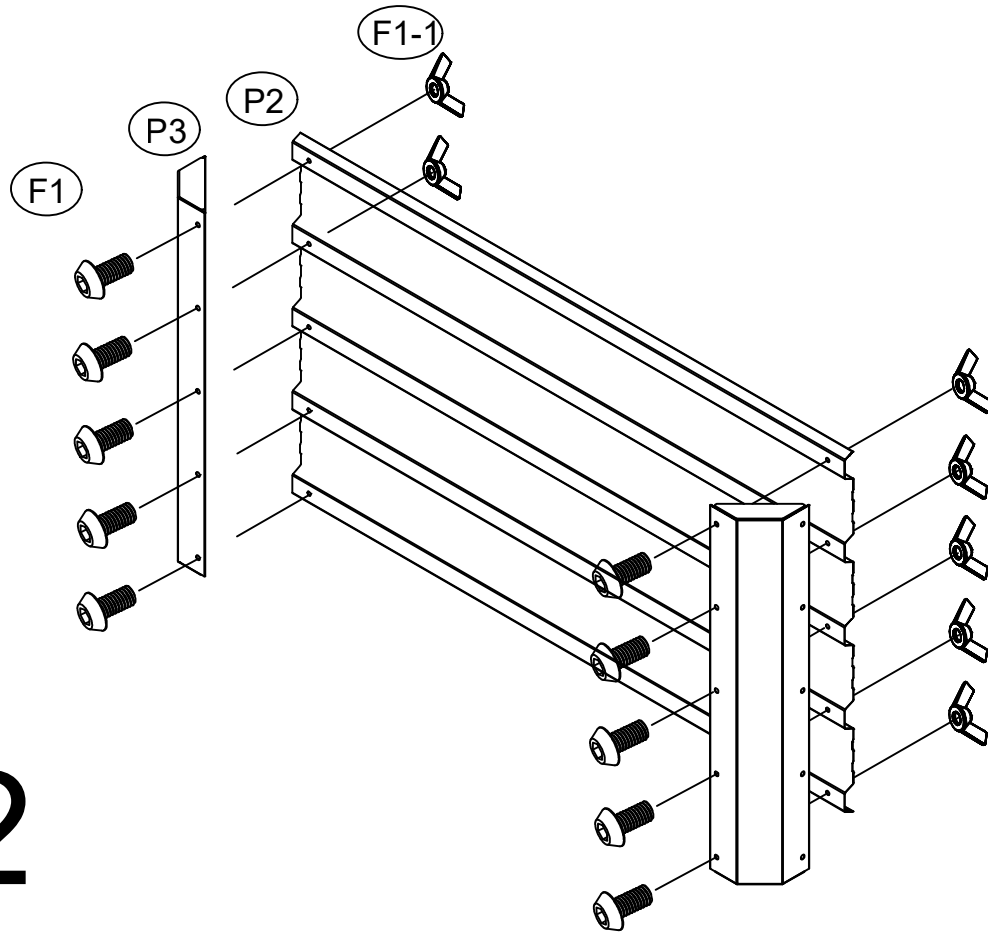
## IMPORTANT NOTES:

---

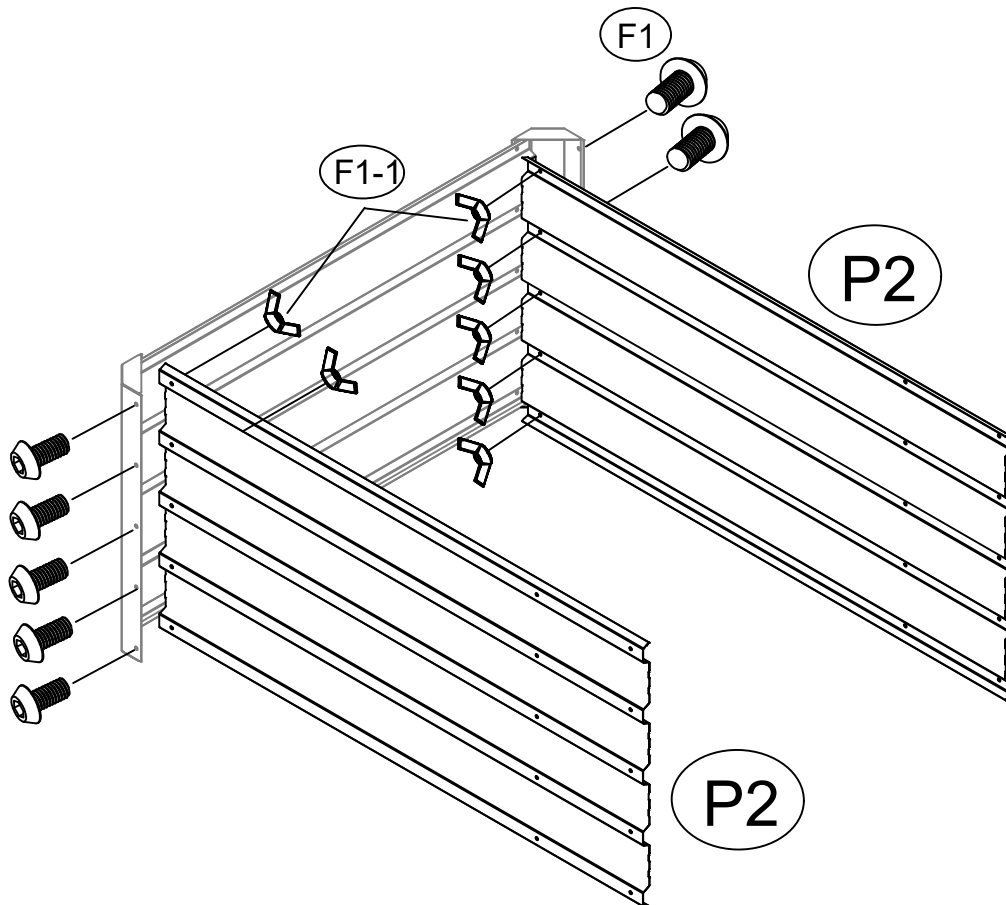
- Find someone to help you: it is much easier with someone to hold parts, pass tools ect. This is not very heavy work so would suit most able-bodied people.
- Have the right tools to hand.
- Safety clothing as recommended in the 'Tools' section.
- Ideally lay out the parts and check that all are present before commencing construction. Lay on cloths or plastic sheets if there is any risk of scratching the parts.
- Tighten all nuts carefully, being sure not to miss any. Check the frame is square and using a spirit level to check that it is upright.



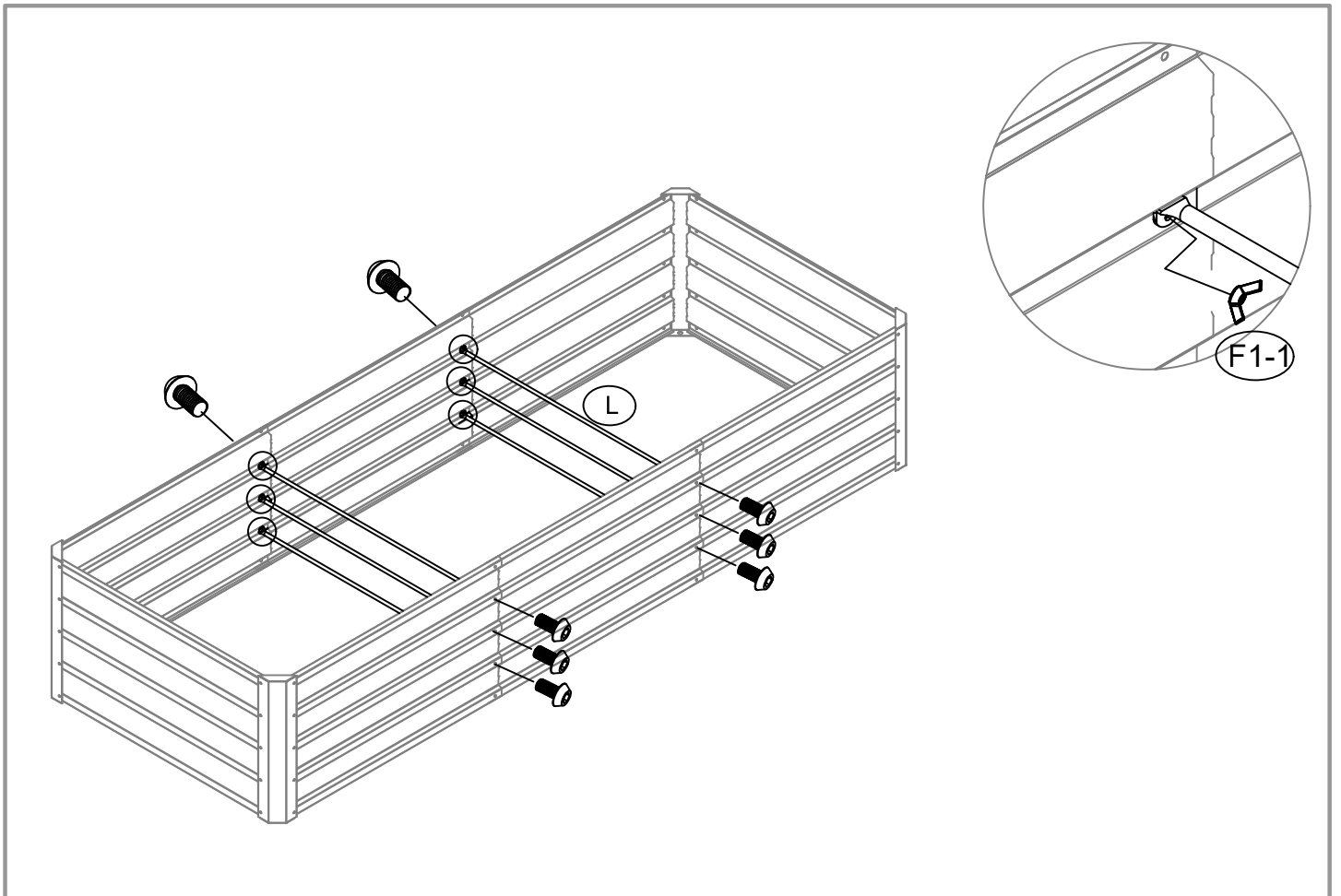
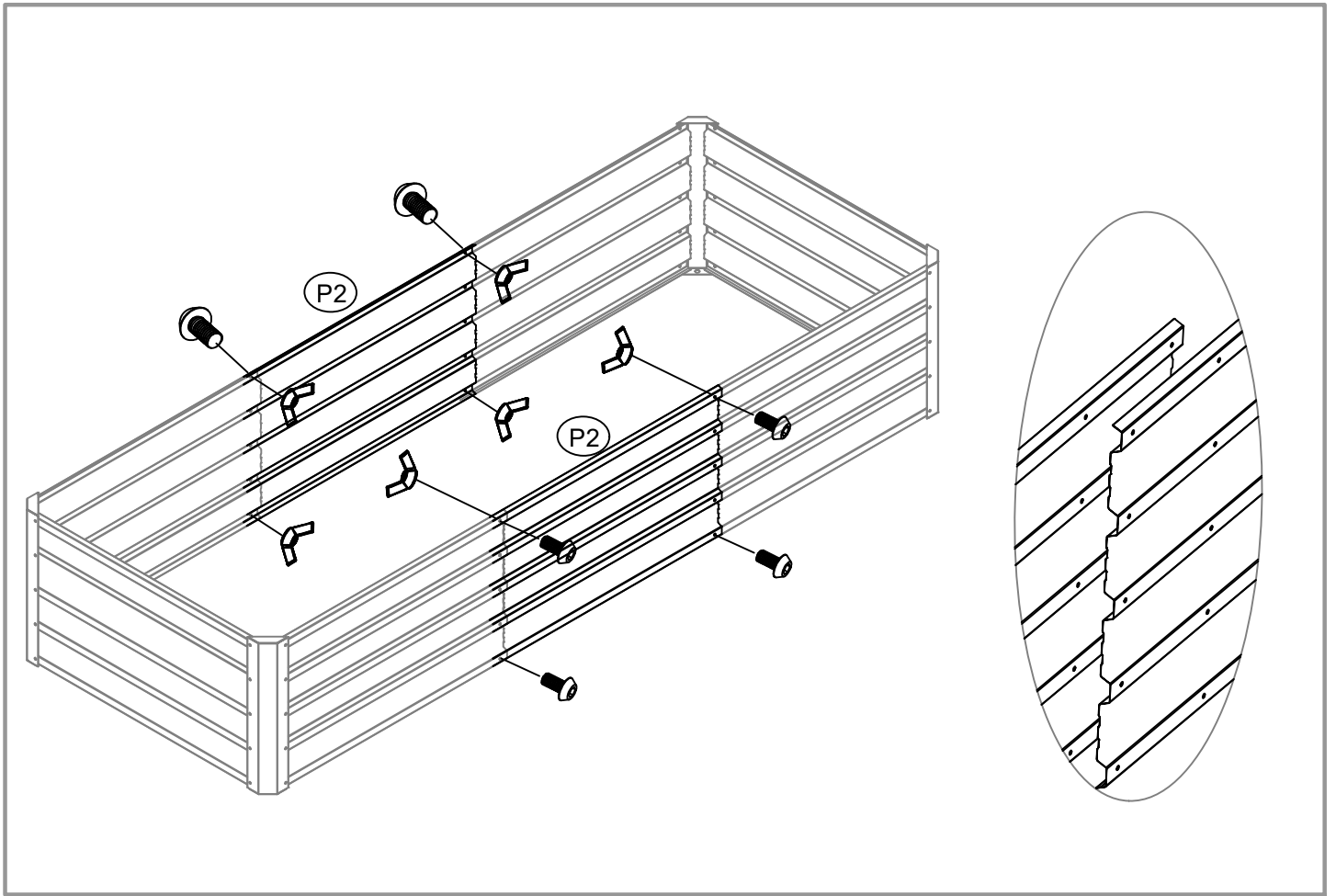
 F1 x60	 F1-1 x60	 P2 x8	 P3 x4
 L x6			



X2



X2



## Contact information

Austria



Belgium



Croatia



Denmark



Estonia



Finland



France



Germany



Ireland



Italy



Latvia



Lithuania



Nederland



Norway



Poland



Portugal



Spain



Sweden



Switzerland



UK

