

DANCOVER[®]

.com

Manual
for
Greenhouse
1,9x2,5x2,05m

DANCOVER[®]

.com

Safety Advice

Attention

In some countries or areas, you may have to obtain permission when setting up structures like greenhouses or similar buildings exceeding a certain size. It is your responsibility to comply with local rules and regulations and to ensure that the greenhouse is assembled correctly.

In case of bad weather conditions, it is your responsibility to ensure the greenhouse is safely secured and that the structure does not cause damage to others. Be sure to close doors and windows in the greenhouse, remove any loose objects in the garden, which may hit the greenhouse if the wind takes hold of it. Secure the garden trampoline and ask your neighbours to do the same. Please check the garden in general for loose or broken branches and other objects that may cause a danger in case of windy weather. Do not use open fire, welding equipment or other sources of ignition, inside or close to the greenhouse.

When you buy a greenhouse and set it up in your garden, we recommend that you check whether your home insurance covers the structure. At the same time, you are not supposed to be inside the greenhouse during extreme weather conditions.

This structure has not been tested for specific snow and wind loads! Make sure you follow our general safety advice and in the event of snow, always remove excessive amounts of snow from the greenhouse to prevent too much snow on the roof of the greenhouse. Heavy snow may cause the roof or entire structure to collapse.

Note: Dancover warranty applies only to the normal use of the greenhouse, normal wear and tear excepted, in accordance with written use instructions or manual. The warranty does not apply to damage caused by accident, abuse, misuse or modification of the greenhouse.

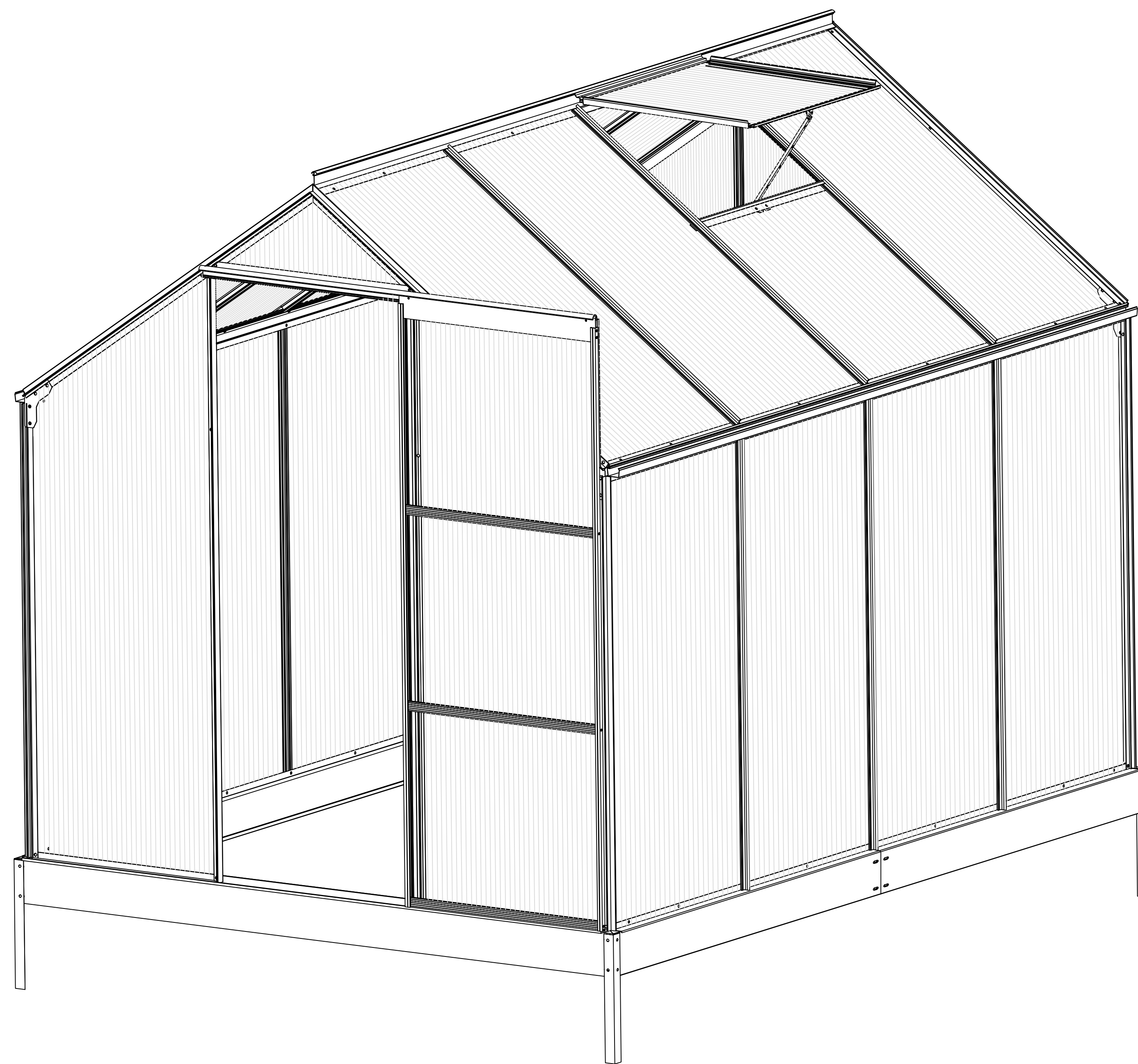
Warranty Information

Please visit dancovershop.com for information on warranty.

Please always check our website for the latest safety advice and manual.

Greenhouse

Assembly Instructions



Size: 250Lx190Wx193H cm

IMPORTANT

You must read these instructions carefully before you start to assemble this greenhouse.

Please ensure that you find all parts in the carton box in the correct type and quantity as mentioned in the list illustrated in every page accordingly.

Please carry out the steps in the order set out in these instructions.

Do not tighten the steps in the greenhouse until completing on the assembly of the polycarbonate panels.

Keep these instructions in a safe place for future reference.

SAFETY ADVICE

We strongly recommend the use of work gloves during assembly.
Do not attempt to assemble the greenhouse in windy or wet conditions,
Do not touch overhead power cables with the aluminum profiles.
Always wear shoes and safety goggles when working with extruded aluminum.
Dispose of all plastic bags safety-keep them out of reach of small children.
The greenhouse must be positioned and fixed on a flat level surface.
Do not lean against or push the greenhouse during construction.
Keep children away from the assemble area.
Do not position your greenhouse in an area exposed to excessive wind.
Do not attempt to assemble this greenhouse if you are tired ,have taken drugs or alcohol or if you are prone to dizzy spells.
If using a step ladder or power tools ensure that you follow the manufactures safety advice.
Hot items such as recently used grills, blowtorches etc.must not be stores in the greenhouse.
Ensure there are no hidden pipes or cables in the ground before inserting the pegs.

GENERAL ADVICE

This is a multi-part assembly, Allow at least 300 minutes for assembly.
Selecting a site-choose a sunny level position away from overhanging trees.
If you are fixing your greenhouse directly to a solid concrete foundation use the pre drilled holes in the metal base supplied.
The component parts should be checked and laid out close at hand.
Keep all small parts(screws etc)in a bowl so they do not get lost.
Note that the door is hinged on the right hand side and therefore opens tothe right.
Keep roof clear of snow and leaves.

CARE & MAINTENANCE

When your greenhouse needs cleaning, use a mild detergent solution and risen with cols clean water.
Do NOT use acetone, abrasive cleaners or other special detergents to clean the clear panels.

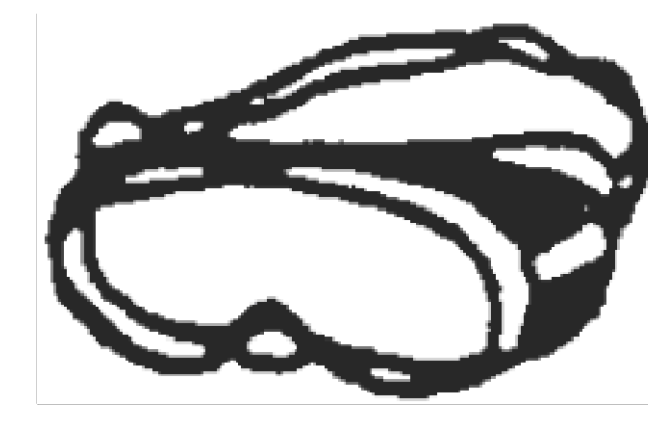
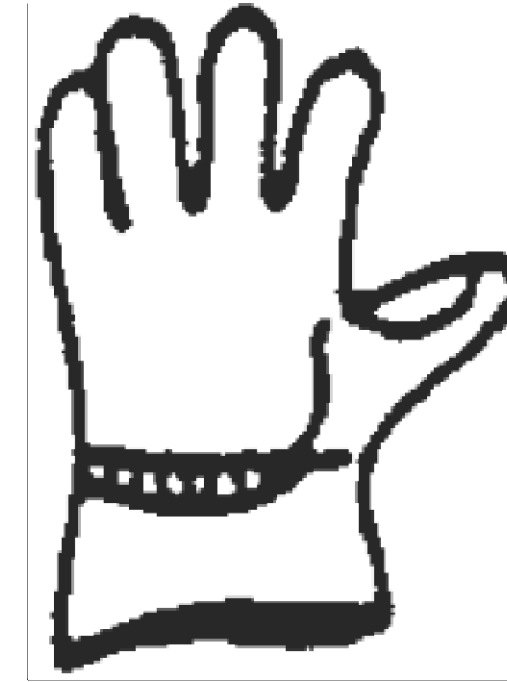
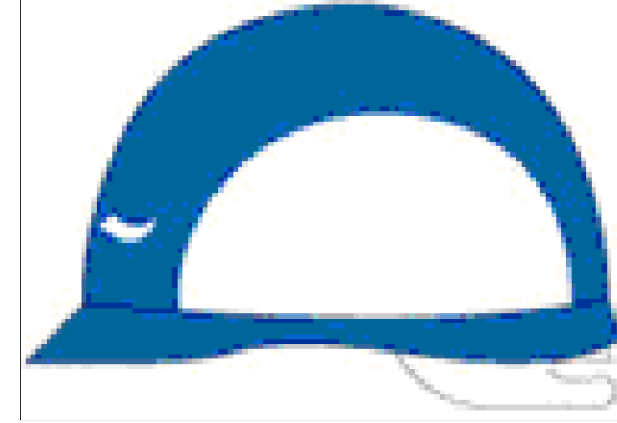
TOOLS & EQUIPMENT REQUIRED

Silicone sealant & applicator bradawl phillips screwdriver step ladder.
Tape measure large hammer scissors
Work gloves Drill spirit level Lubricant see over for cantents plastic or rubber mallet 0.08" metal drill bit
If help is required seek professional advise within store.

TOOLS & EQUIPMENT REQUIRED

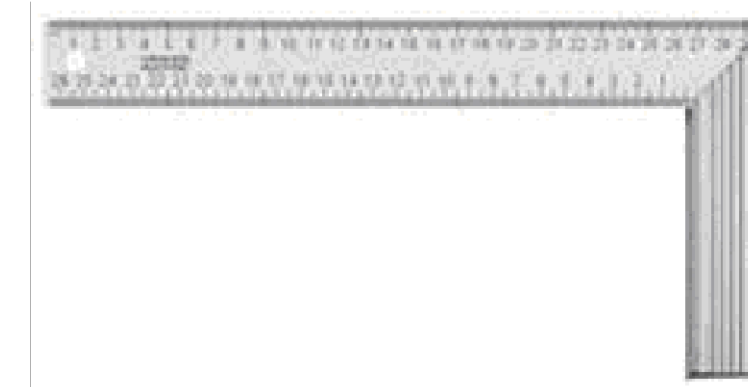
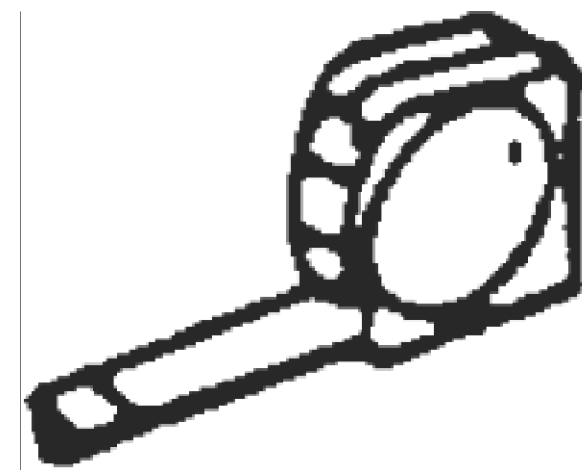
Protective Equipment:

1. Helmet
2. Glove
3. Long Sleeve Cotton Overalls
4. Emergency Medicine Cabinet
5. Eye Shield



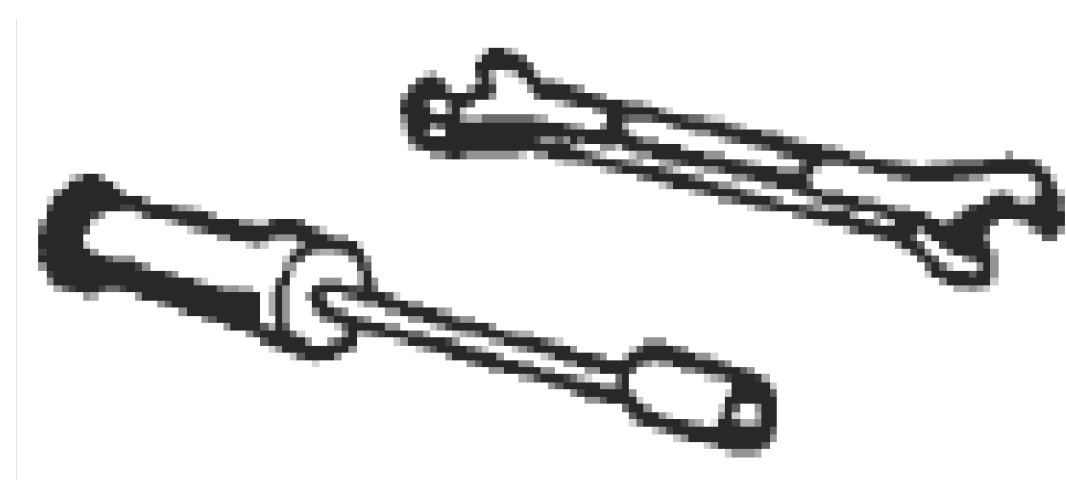
Measure (metric):

1. The Tape (5 m)
2. Angle Square
3. Level Meter

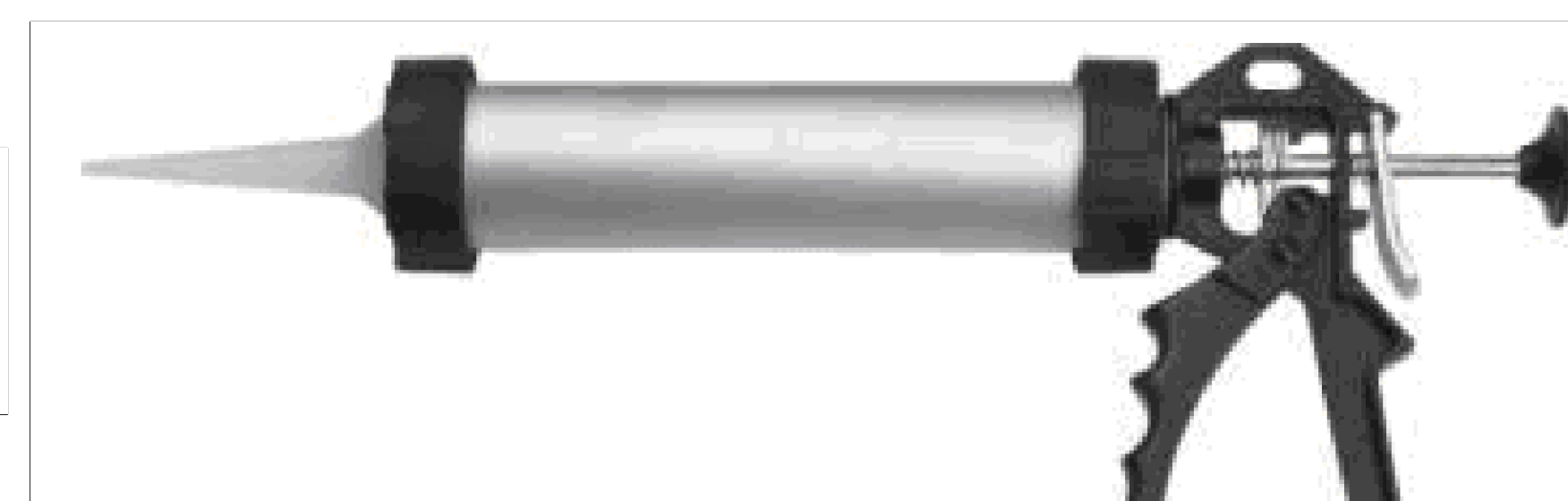
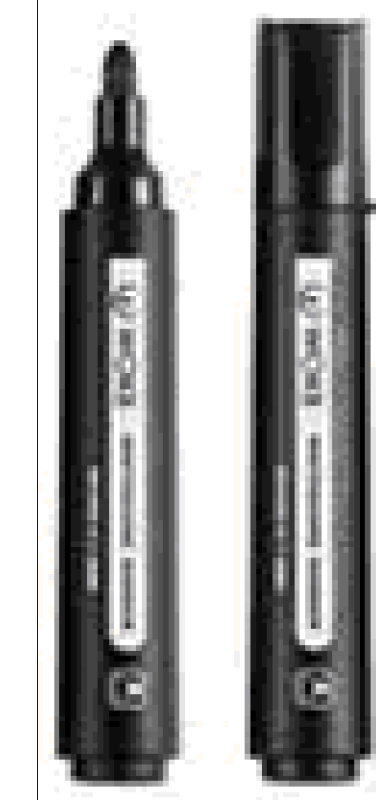


Installation Tool:

1. Triangle Stairs 1.5m Height
2. Spanner 10mm (Ratchet Wrench is better)
3. Electric screwdriver+10mm hex bolt sleeve(sugge



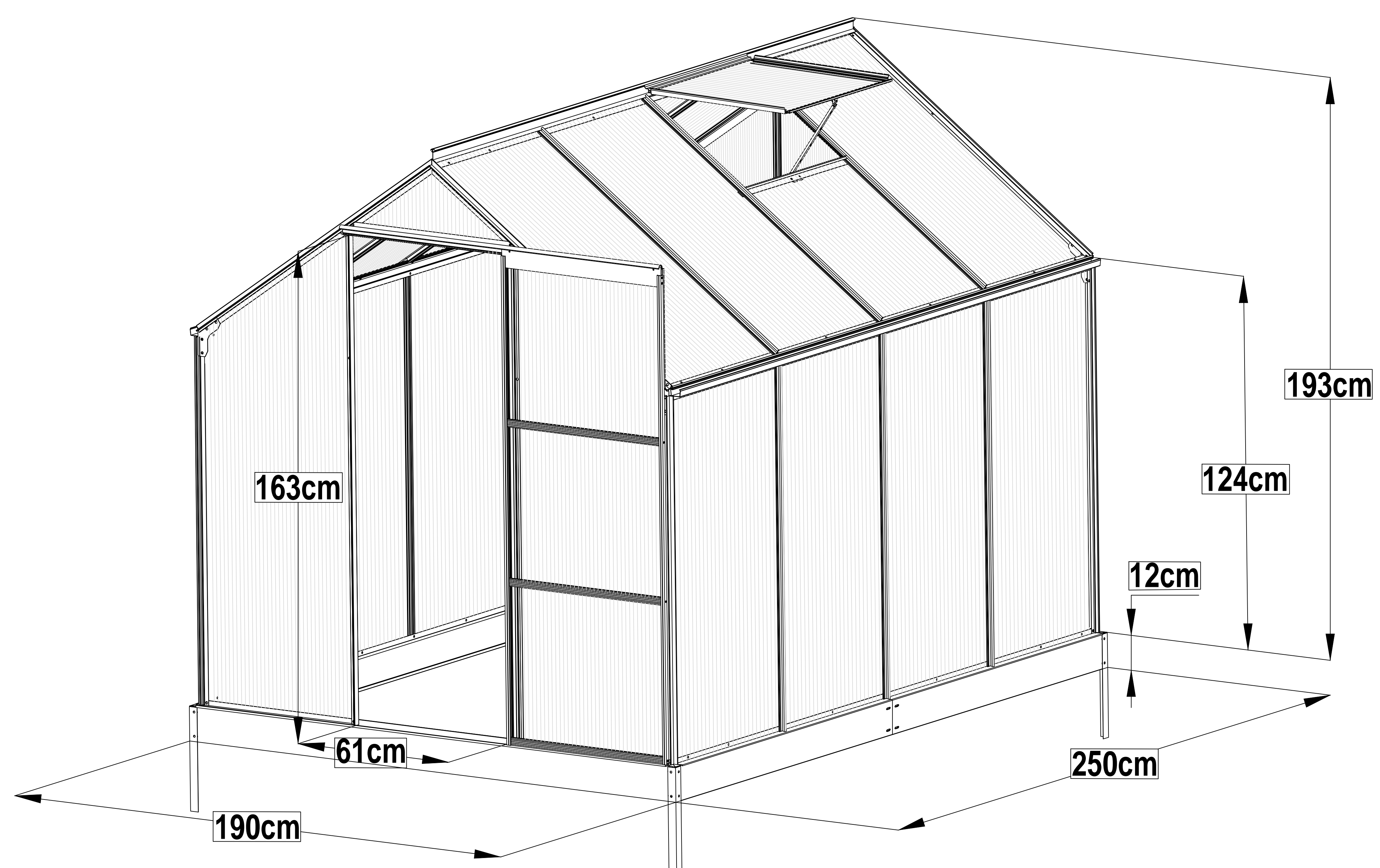
4. Wooden Mallet
5. Marking Pen
6. Silicon
7. Knife
8. Phillips screwdriver



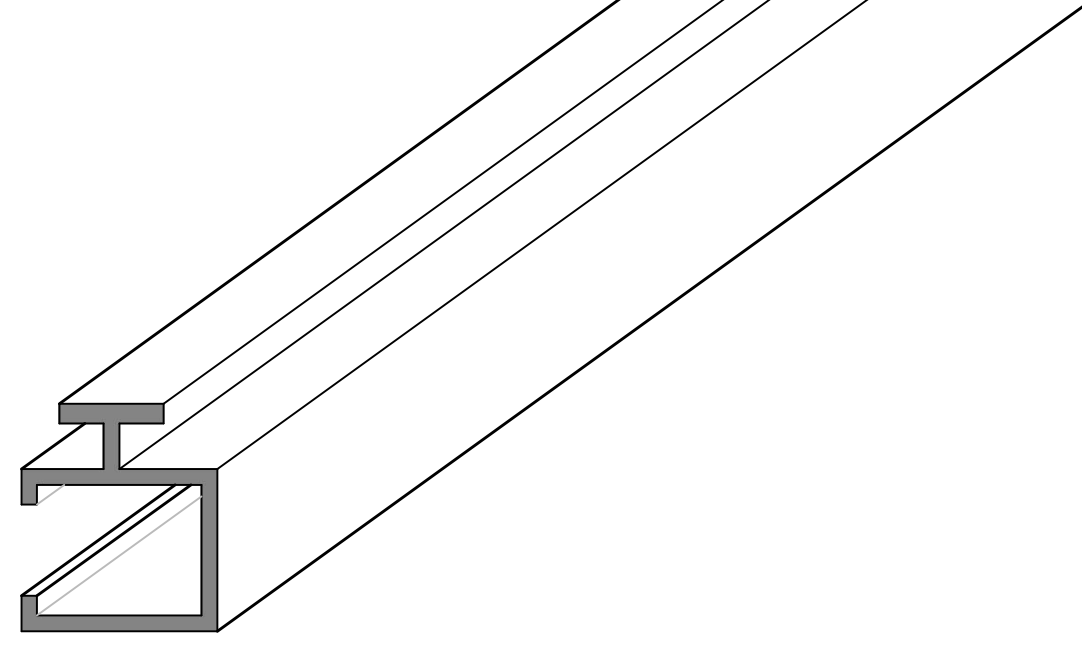
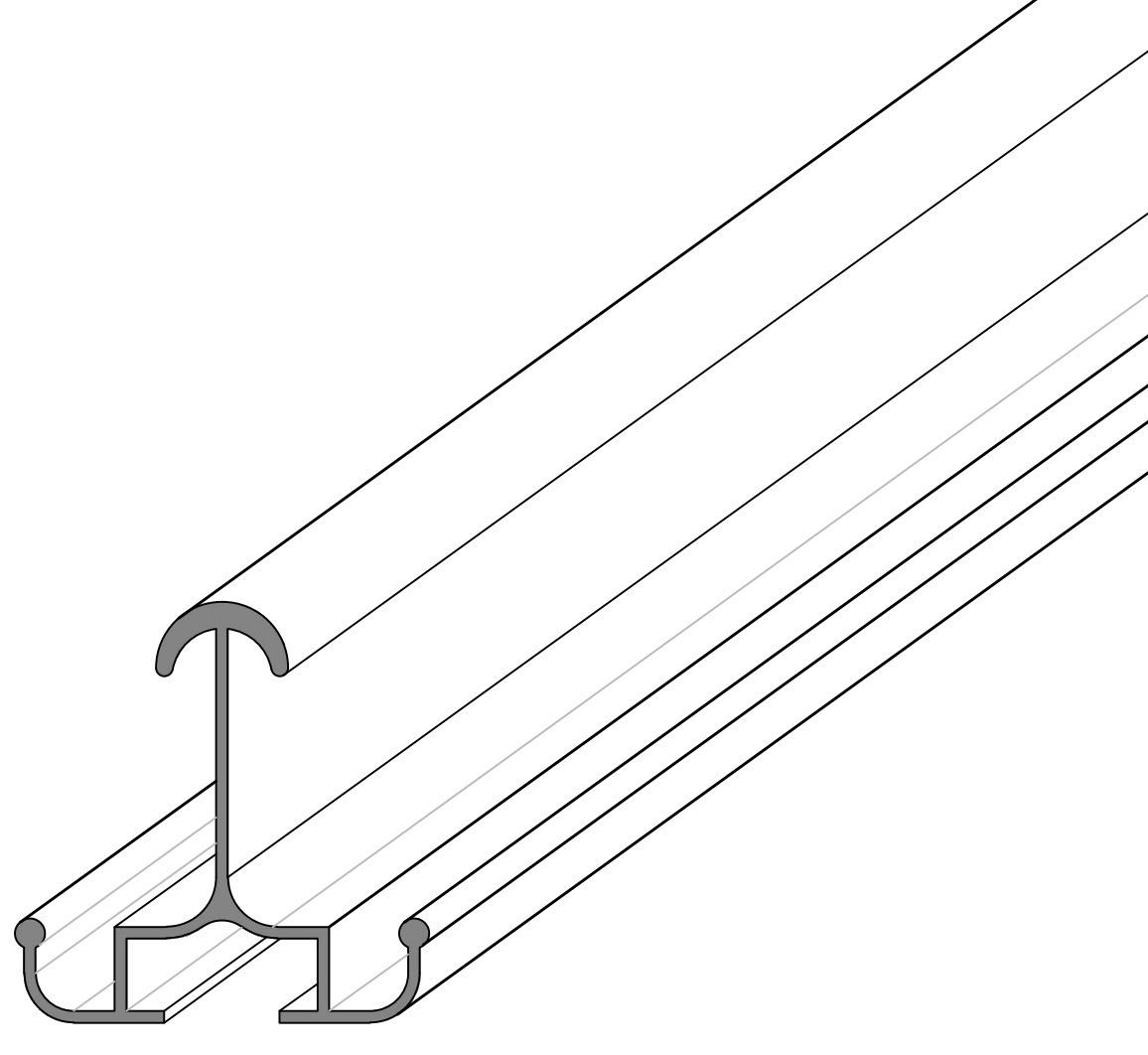
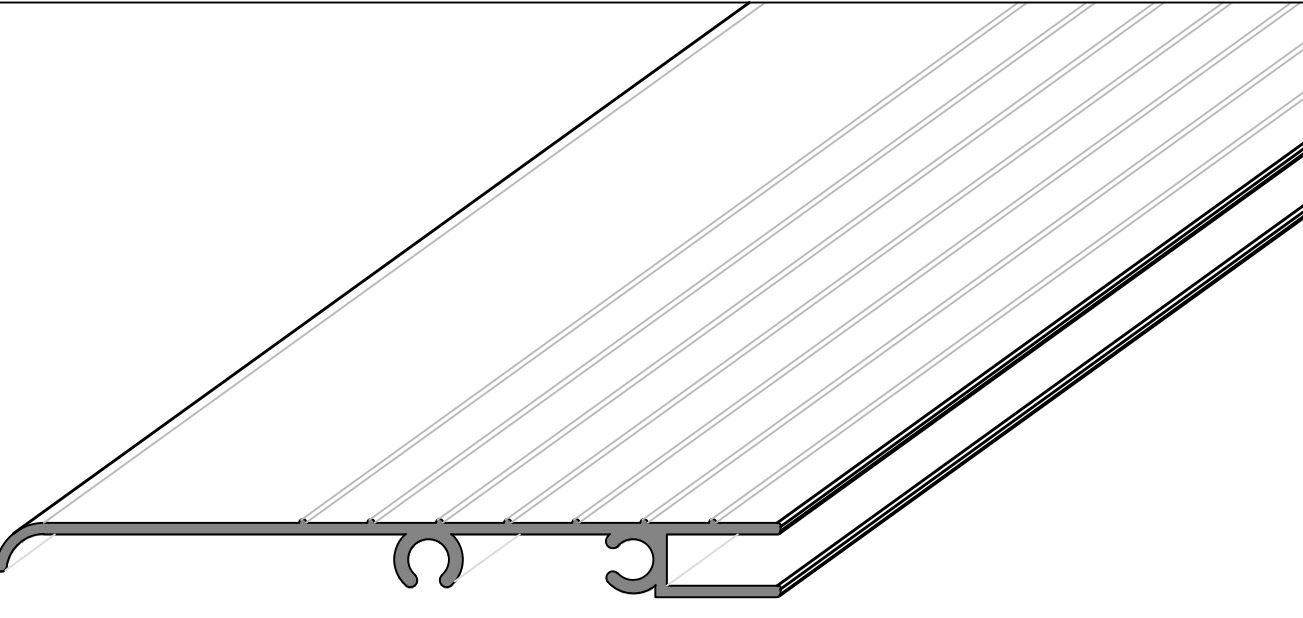
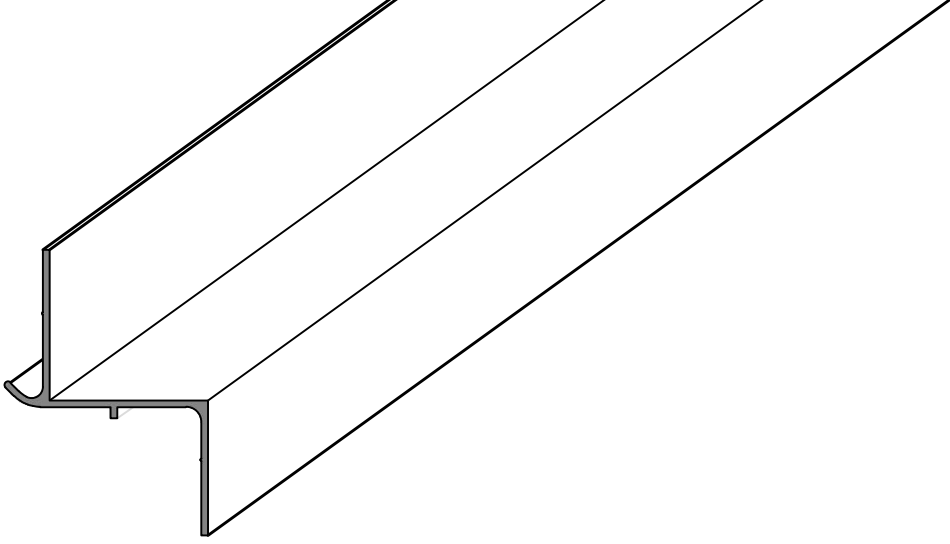
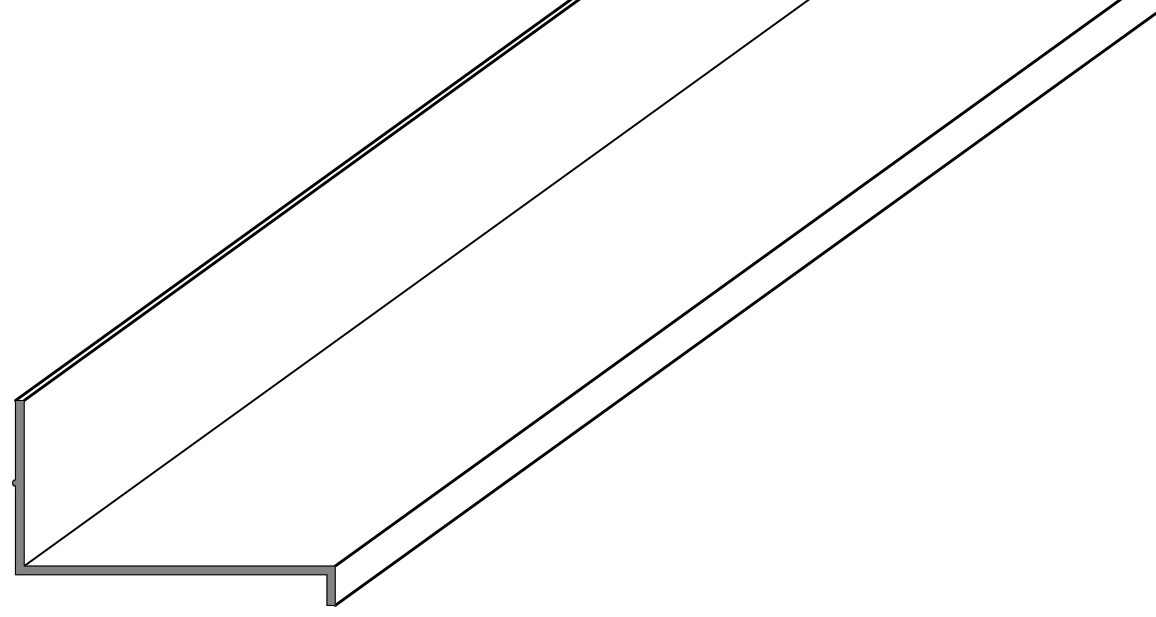
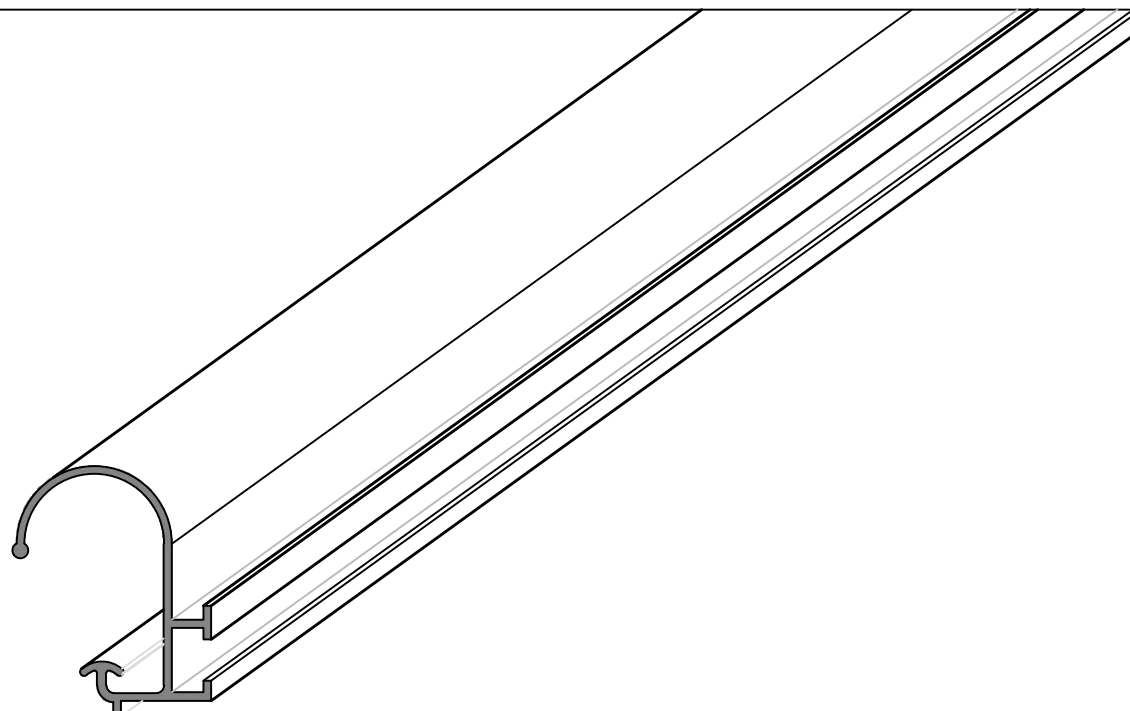
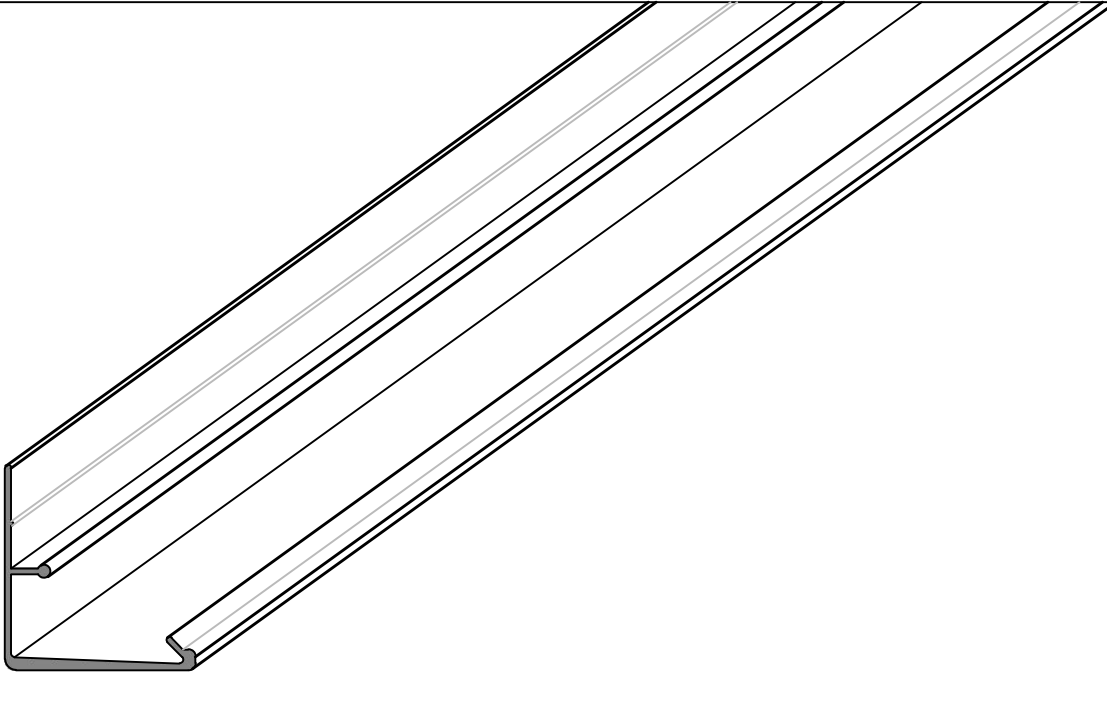
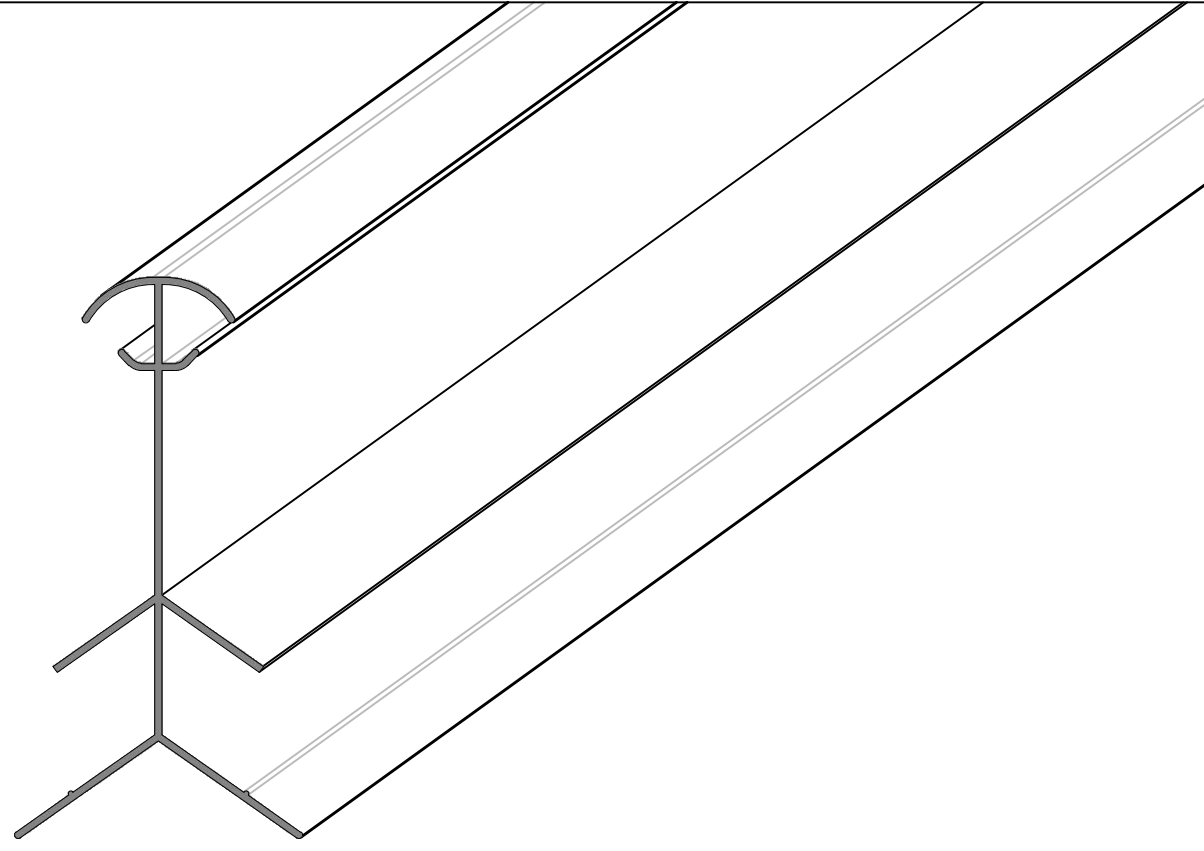
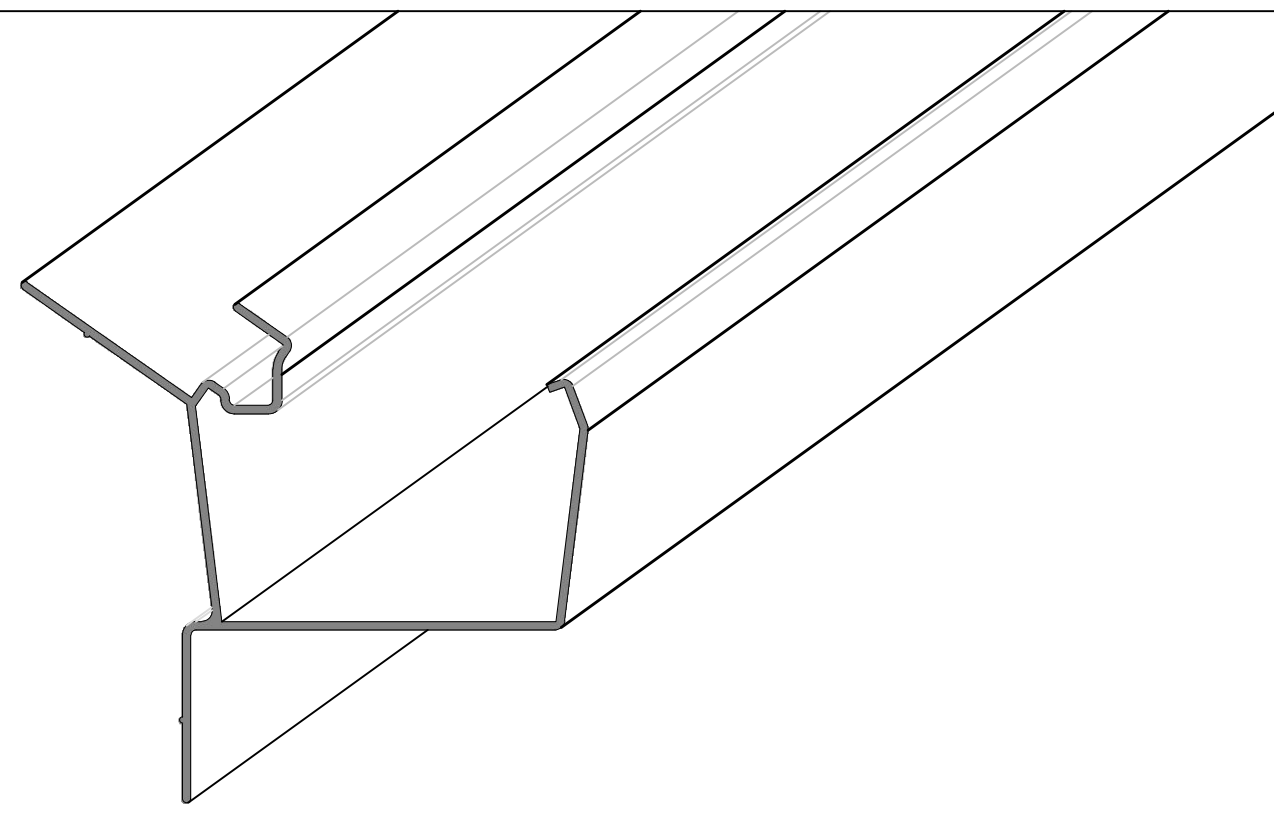
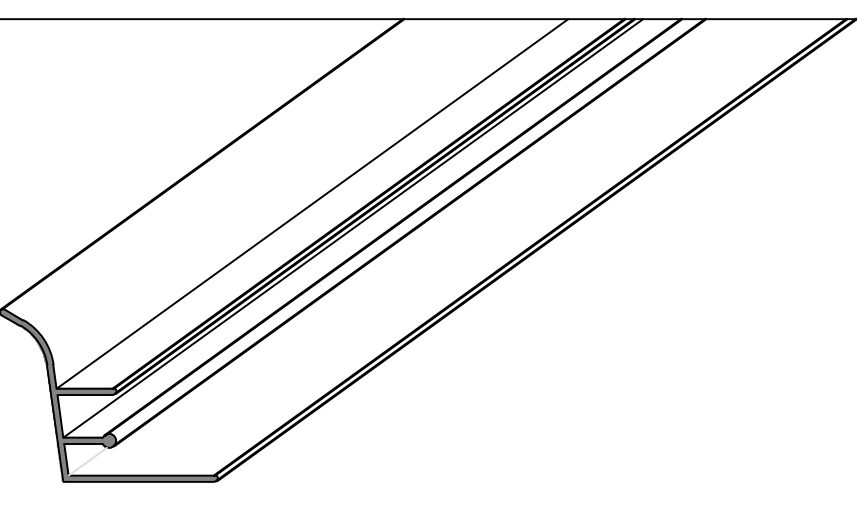
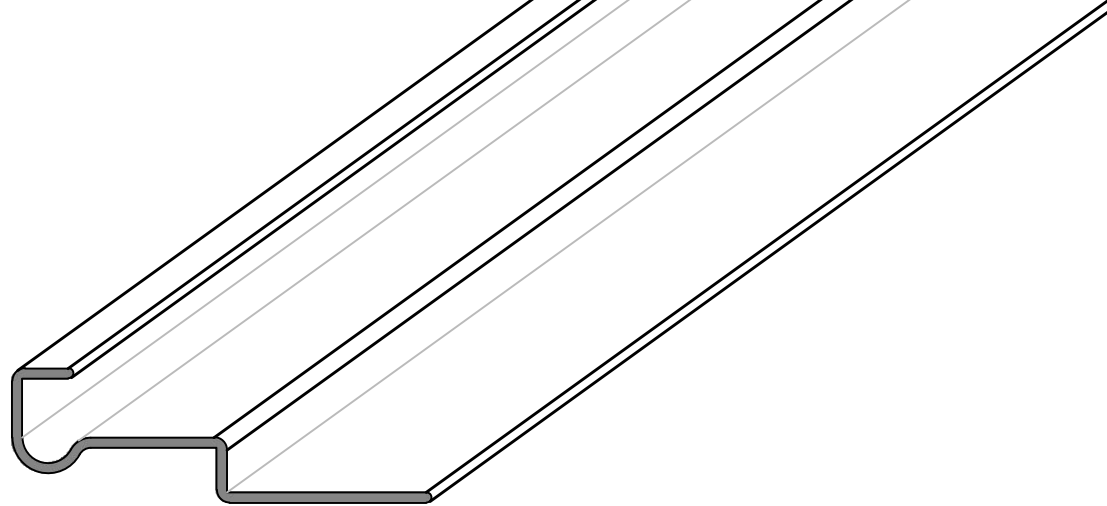
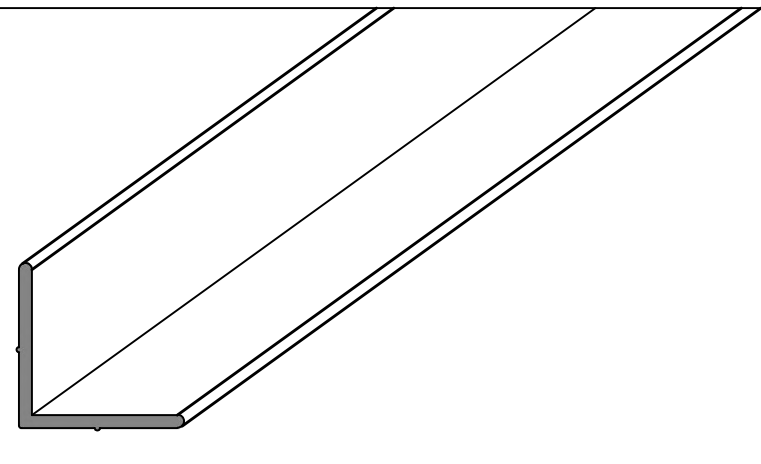
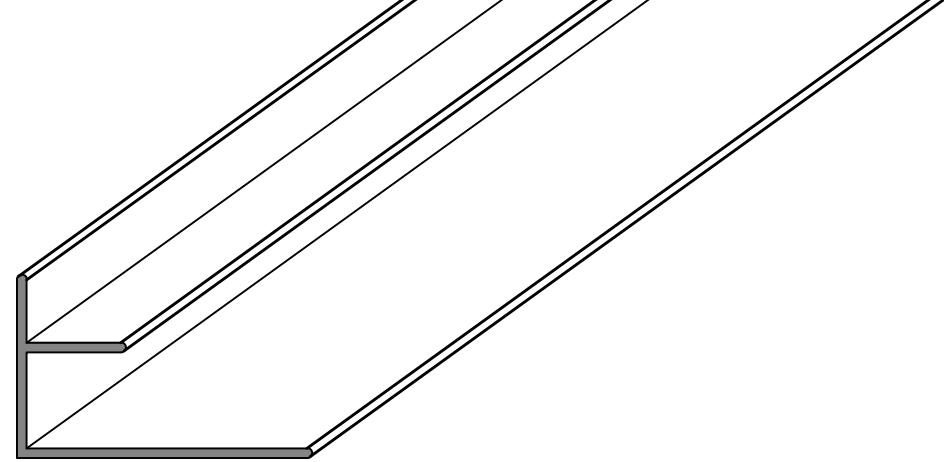
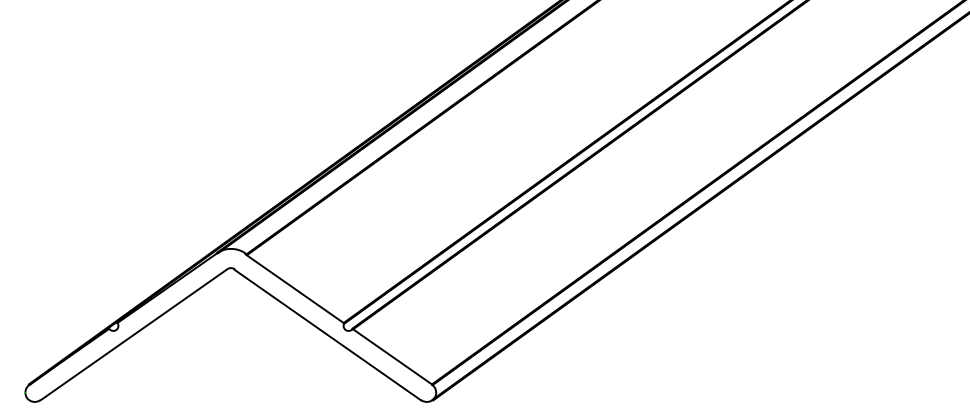
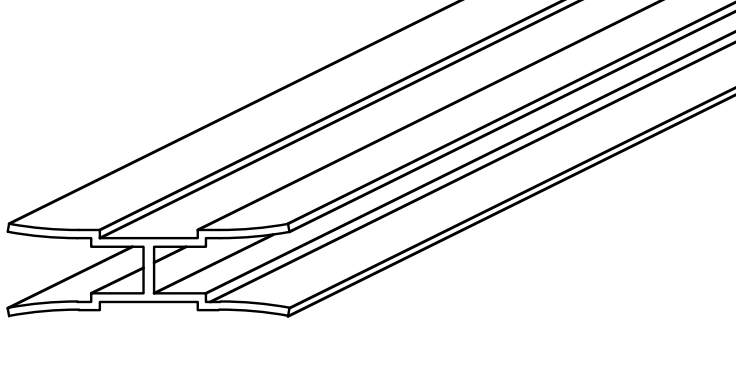
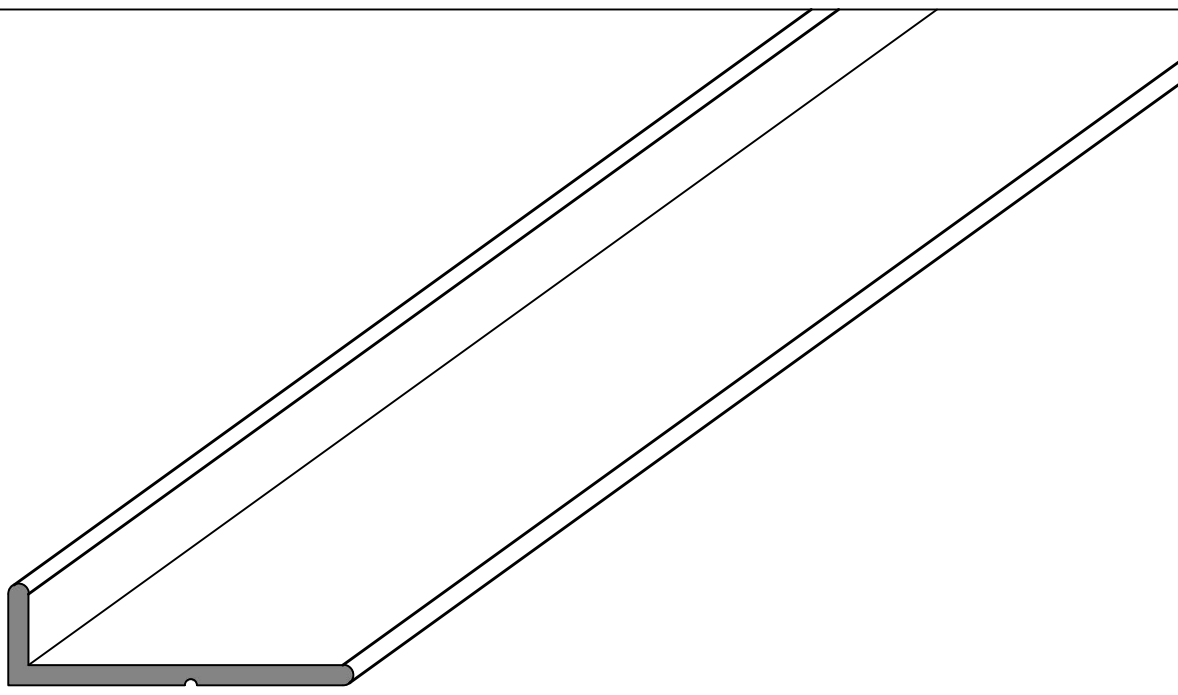
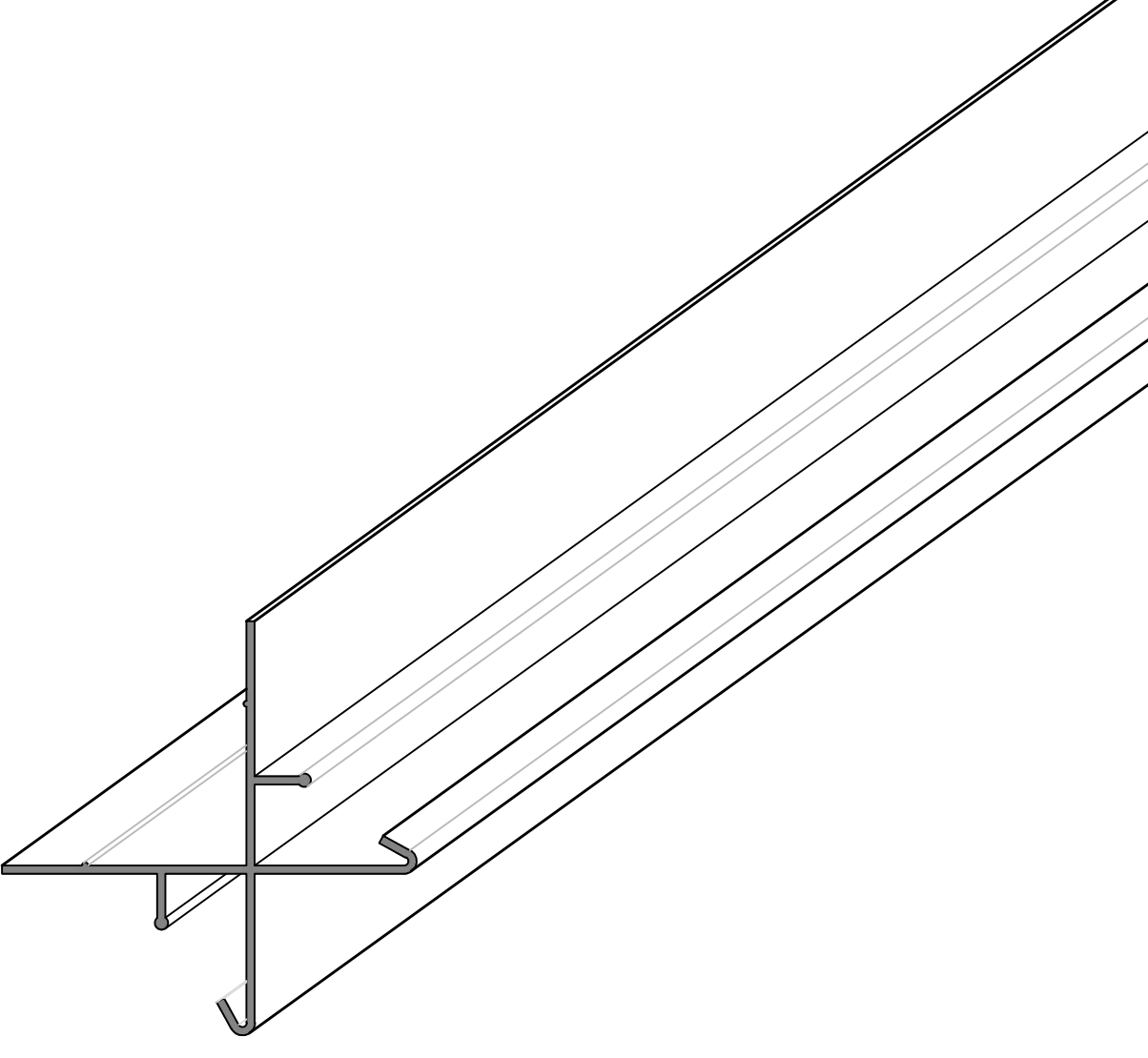
Silicon

OTHER CAUTIONS

1. 3-4 people required, one is for measuring & taking marks to ensure the installation dimension, the second person is responsible for the installation and the last one do as assistant and assure the safety.
2. High-power electric tools are required. Ensure the normal work of them and highly pay attention to electric safety.
3. Be careful when using the kind of blunt tools, like hammer.
4. Wear long sleeve cotton overalls, gloves and helmet during installation and wear safety glasses when using power tools.
5. Do not look up when working in the height, the screws may drop and hurt your eyes or cause suffocation if it accidentally fall into your mouth.
6. No climbing or no standing on the greenhouse to avoid falling down.
7. If injuries occur, immediately use the first-aid kit to stop bleeding. In case of emergency, immediately go to a nearby medical institution.



PARTS LIST OF GH117060

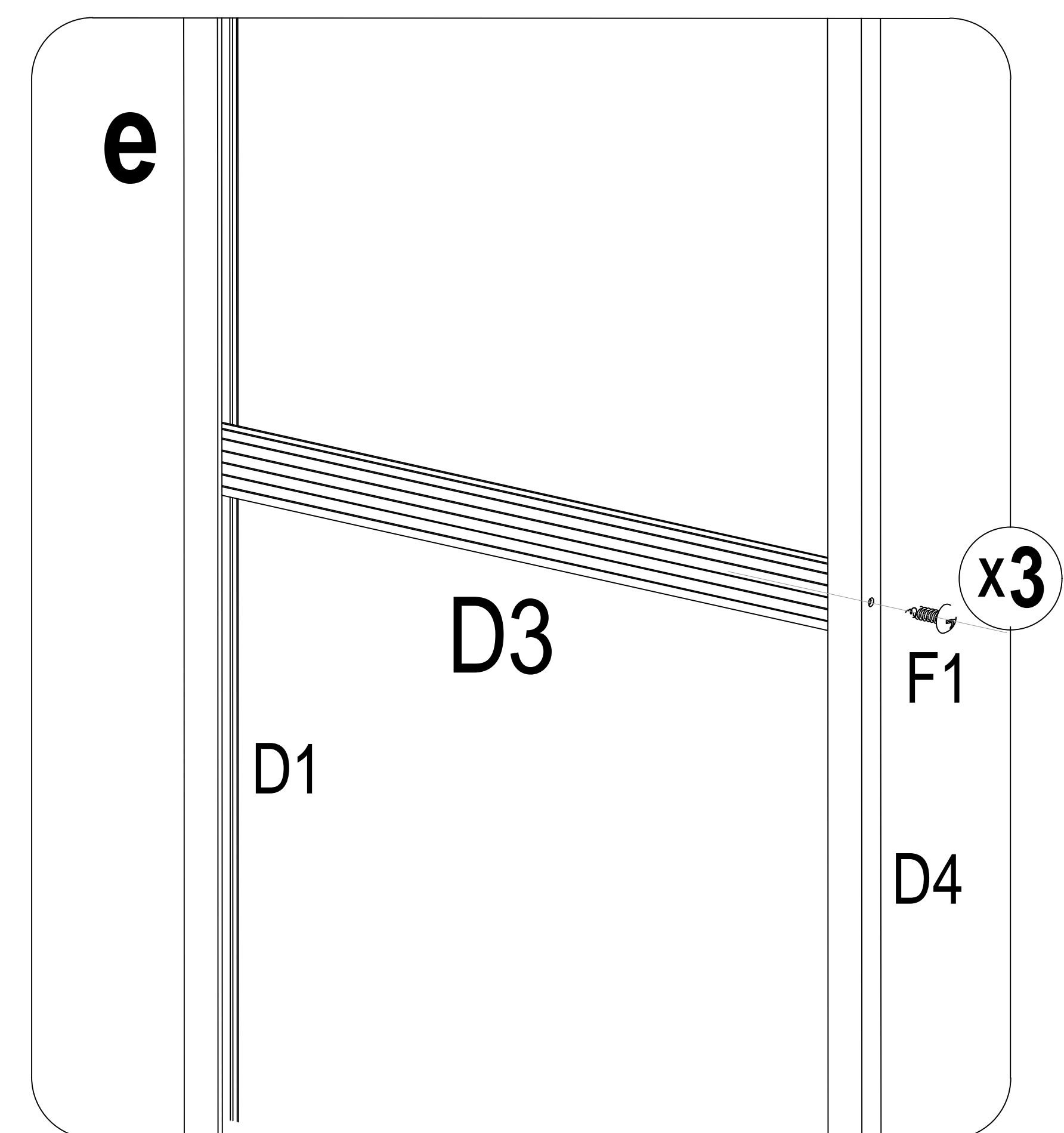
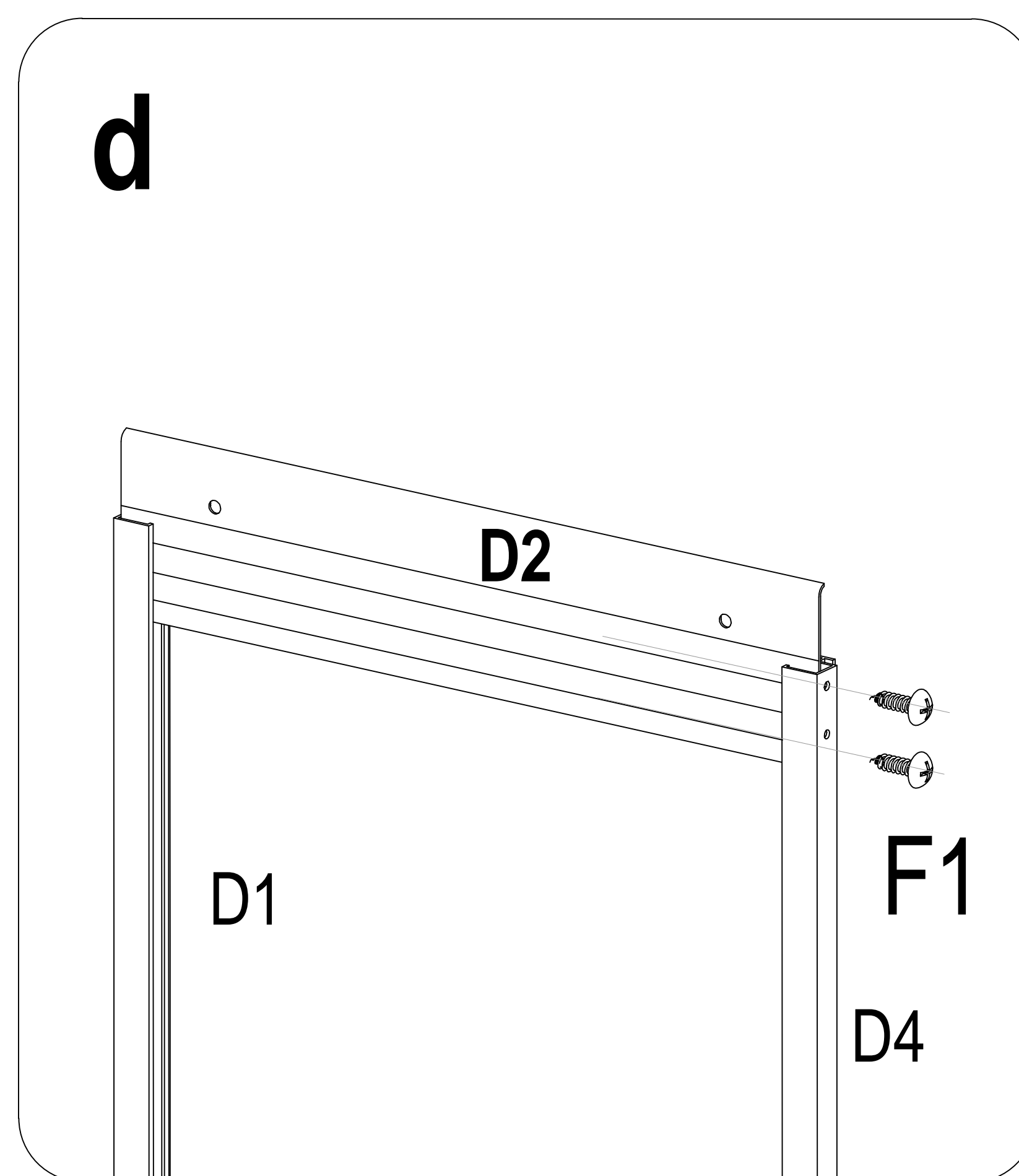
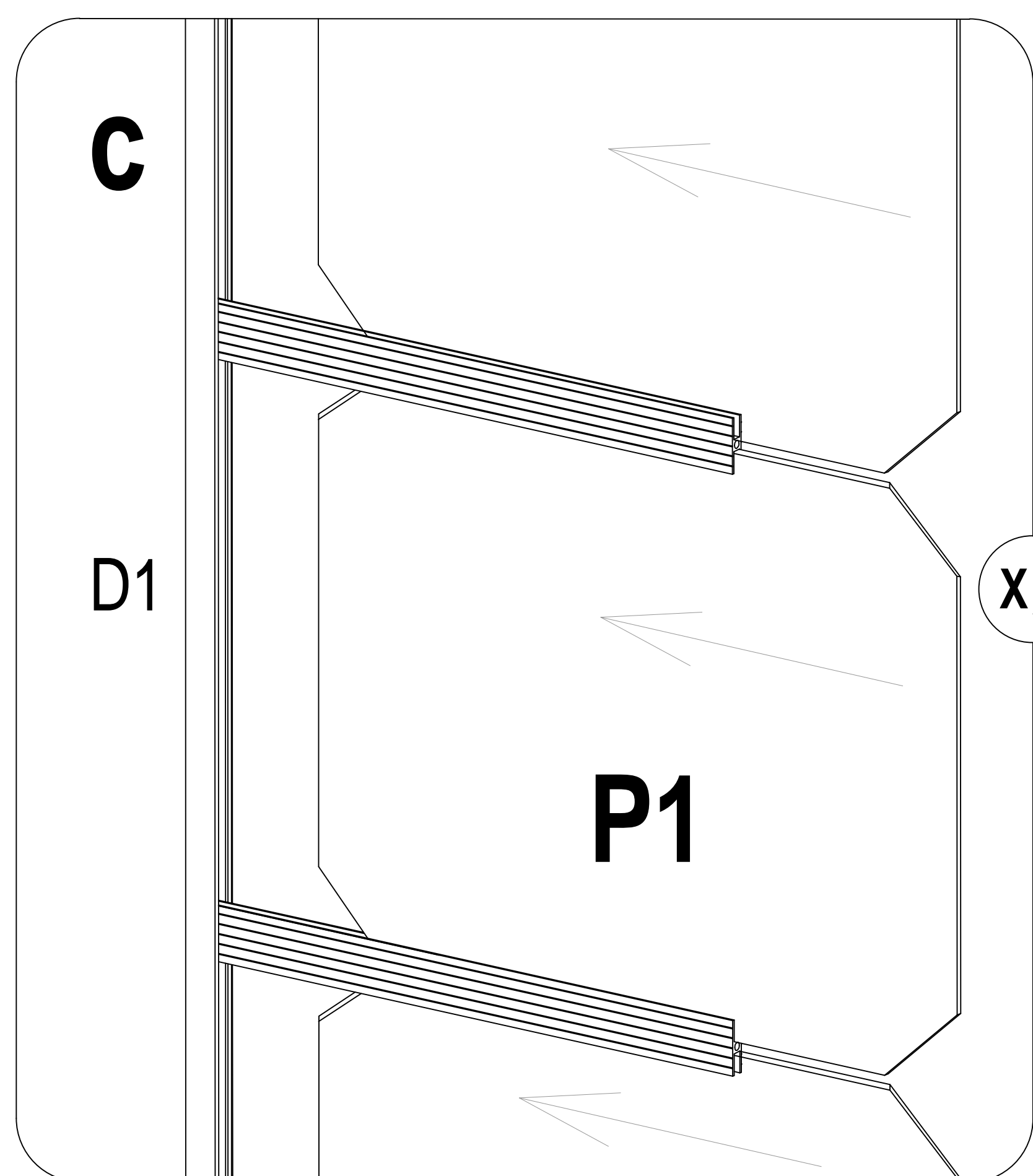
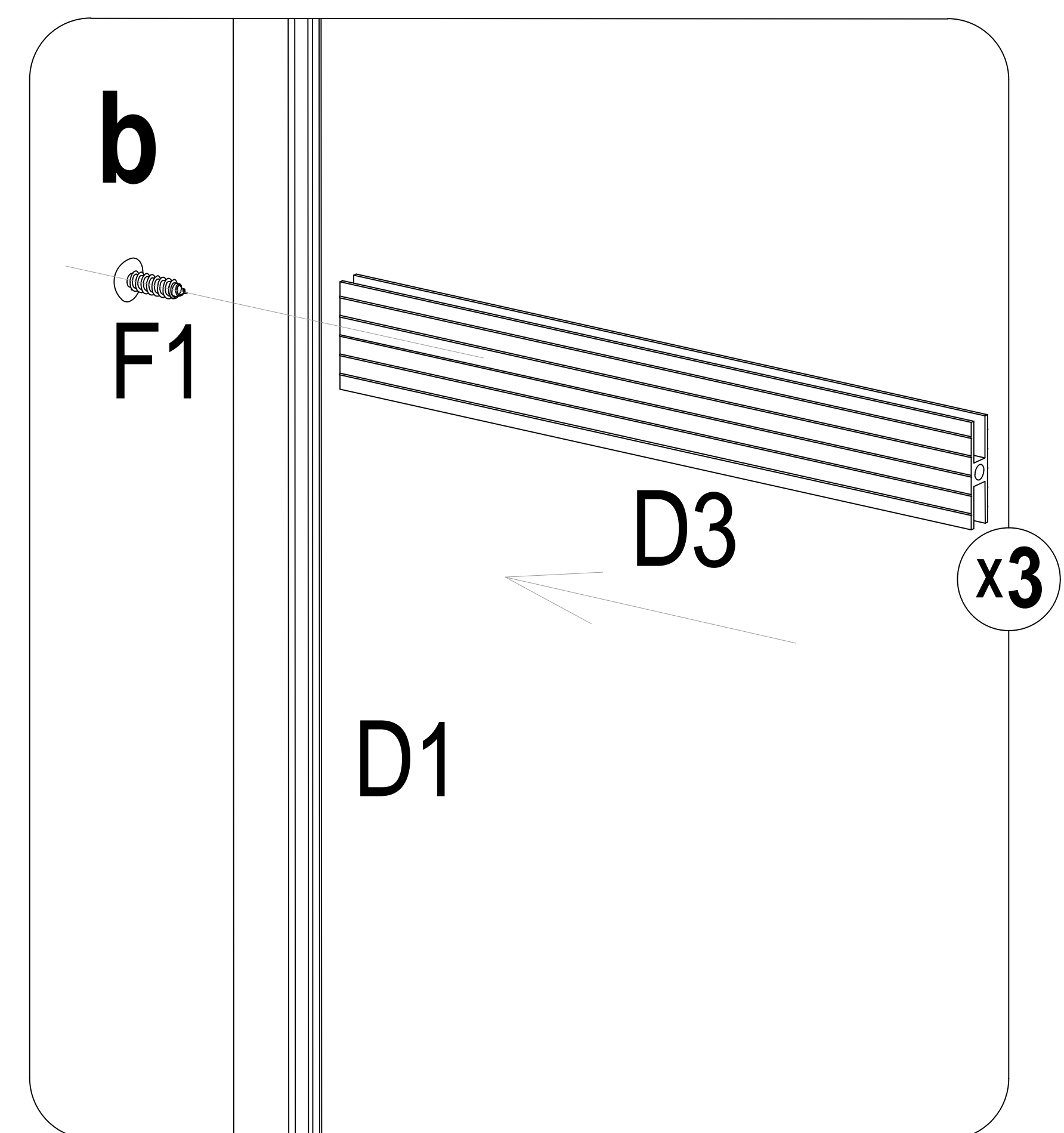
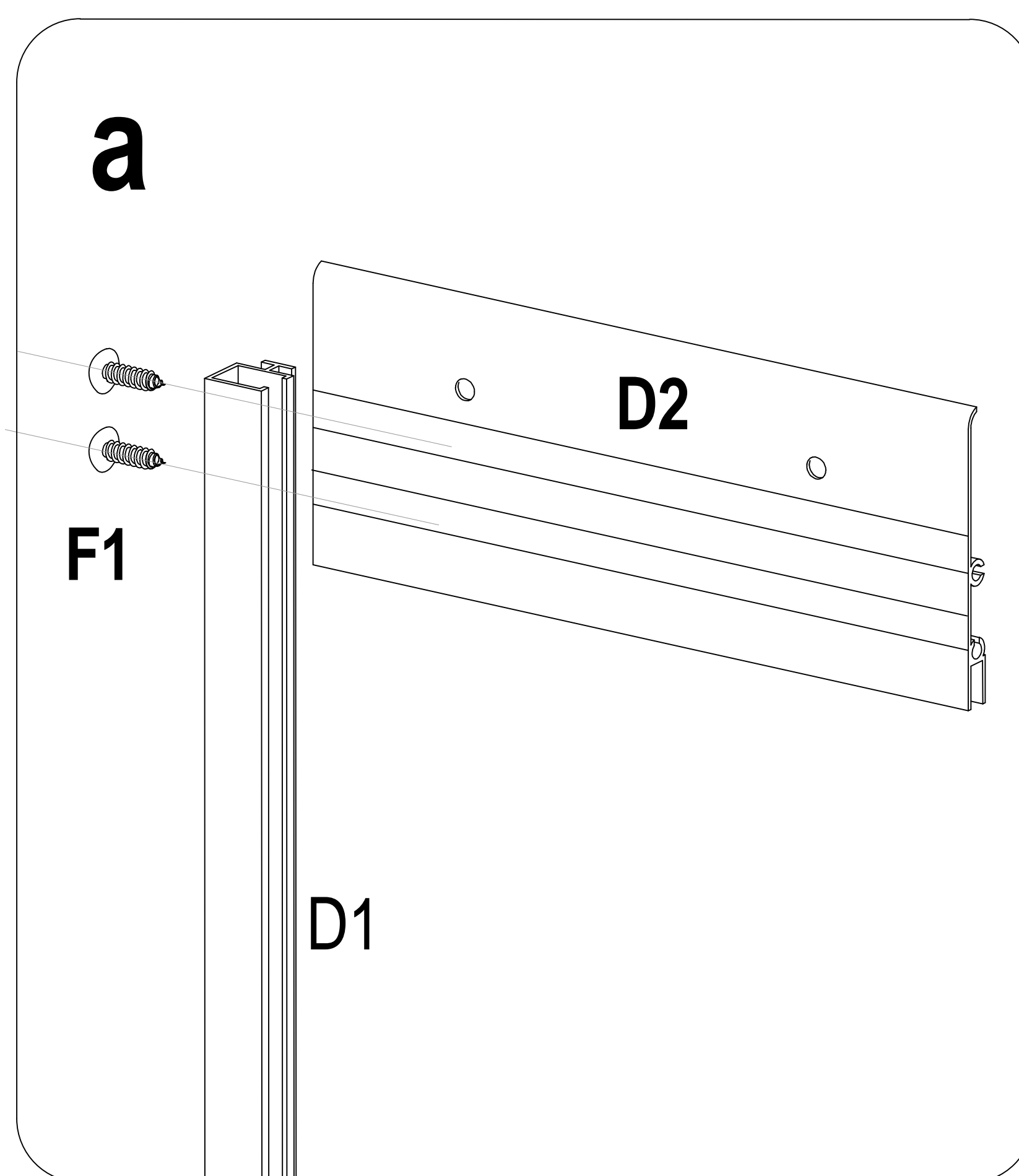
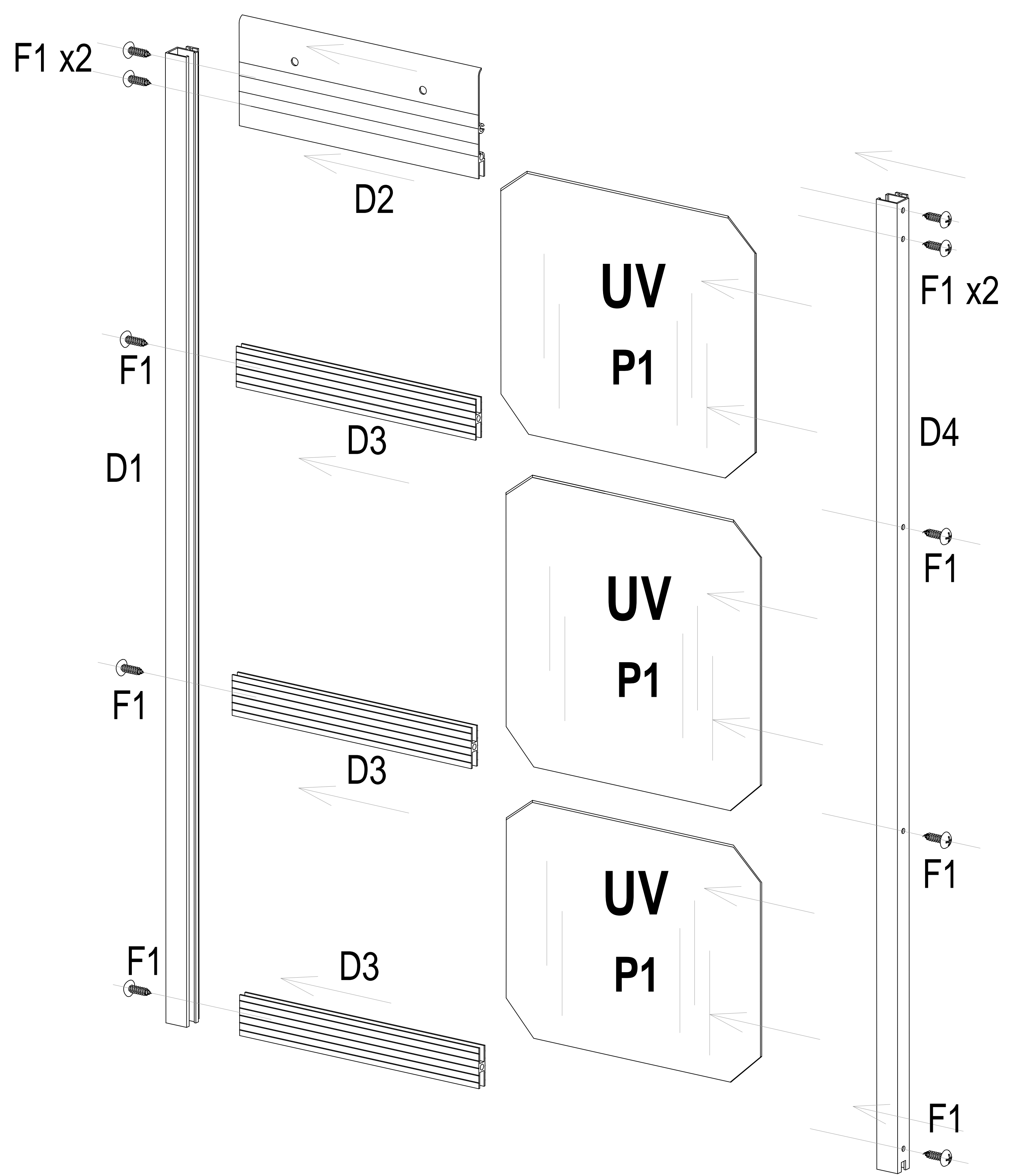
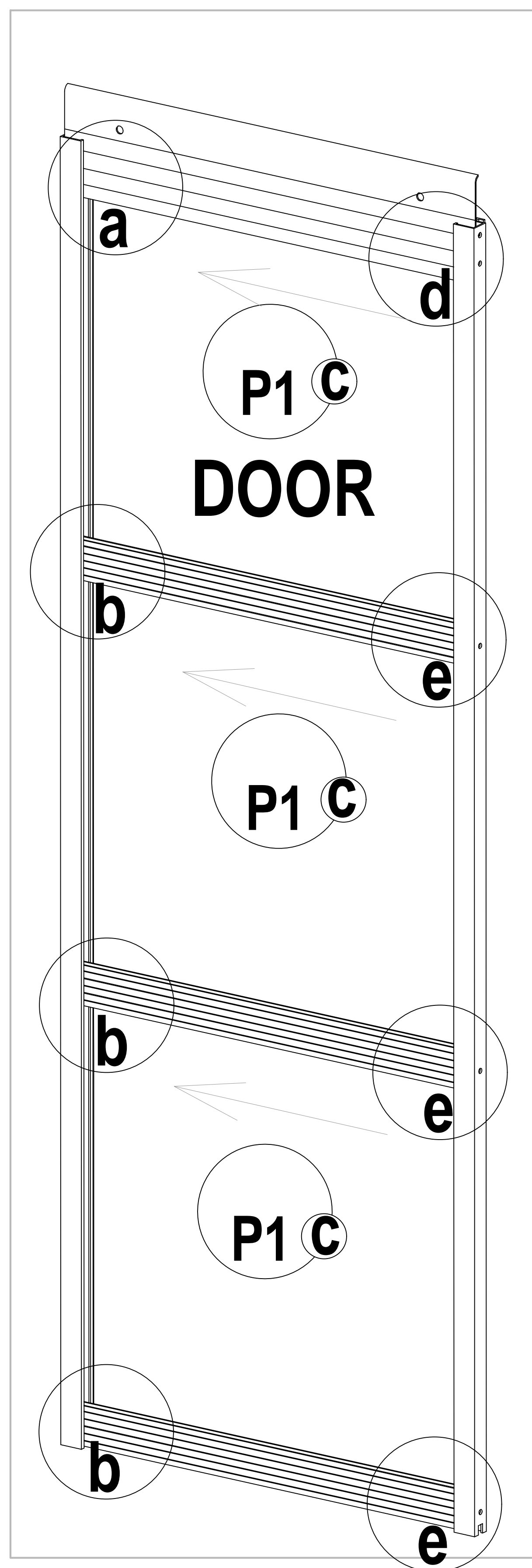
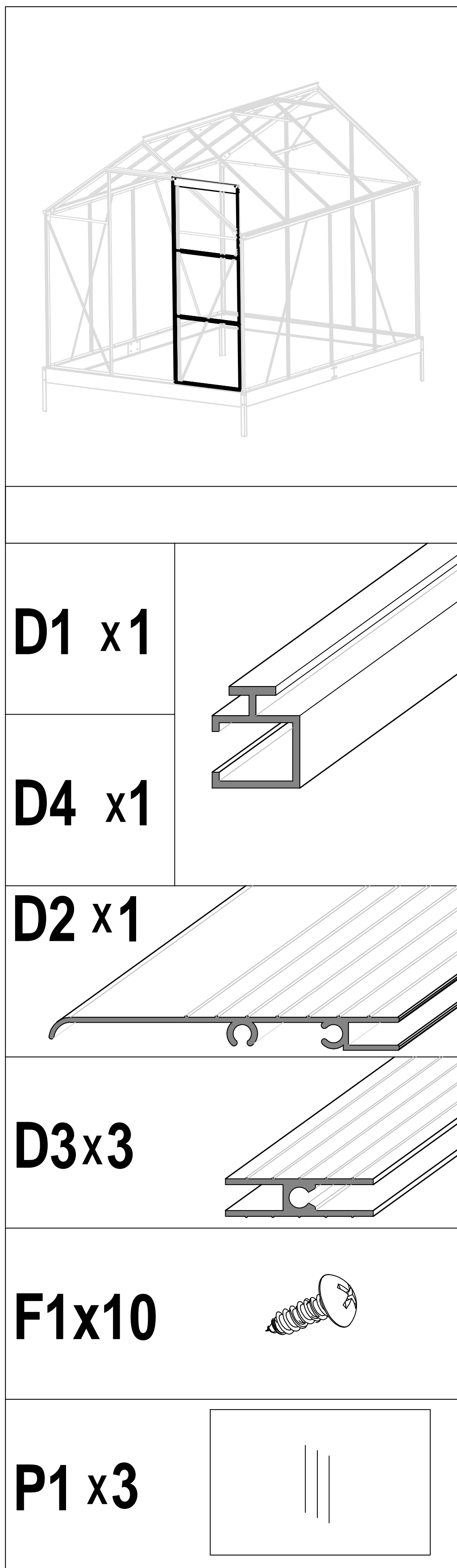
PART	NO.	Qty.	MM	PART	NO.	Qty.	MM
	D1	1	1617		10L	1	1664
	D4	1	1617		10R	1	1664
	D2	1	621		19	6	1215
	D3	3	621		20	6	1113
	13	1	635		5	1	1830
	18	1	1245		4L	2	1218
	9L	1	1641		4R	2	1218
	9R	1	1641		17	2	1218
	W1	1	590			8L	2
	W2	2	522	8R		2	1218
		W3	1	590		25	1
W4		1	380	26		6	630
	21	1	632		27	1	630
		15	5		602		12
				14	1		1824
				22	4		1361
				23	2		1310
				7	4		1215
					5L	1	1130
			5R		1	1130	
			6L		1	1130	
				6R	1	1130	
				6	1	1830	

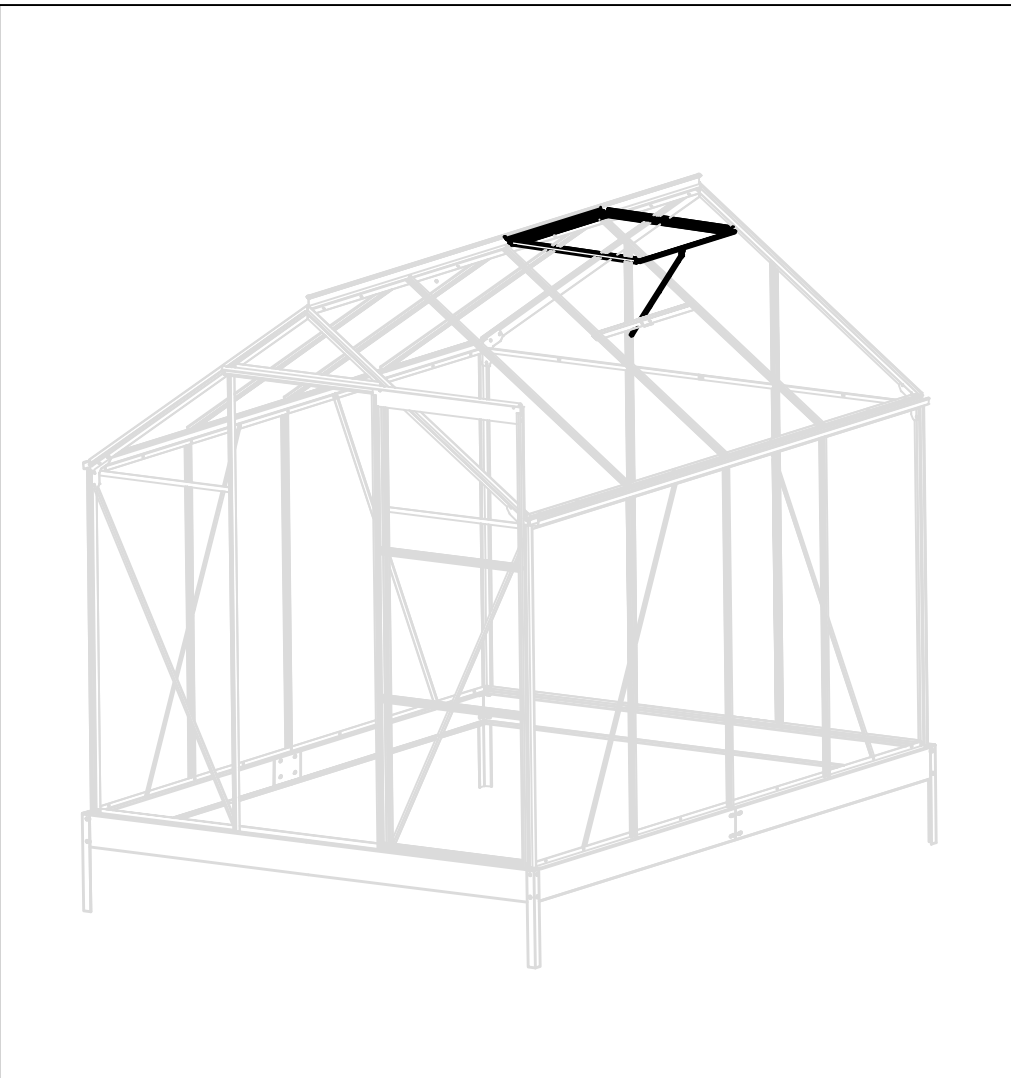
PARTS LIST OF GH117060

NO.	Qty.		NO.	Qty.		NO.	Qty.		NO.	Qty.	
T1	3		B3	151		S3L	2		F1	10	ST4- 9mm
T2	6		B4	1		S3R	2		F3	1	5- 35mm
			B5	4		S6L	1		F4	170	6- 12mm
			B6	1		S6R	1		F5	4	5- 10mm
			B8	1		S8	1		F8	2	4-18mm
						S9	1		F10	100	ST4.2-16mm
						S10	9		F11	4	ST5.2-15mm
						S11	100				

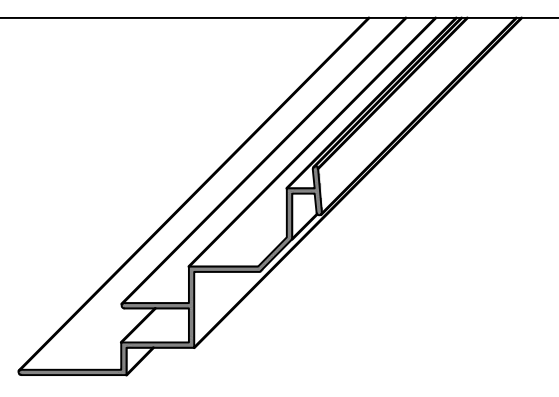
 1 x2	 2 x4	 29 x2	 3 x4	 B2 x18
1893mm	1247mm	100mm	345mm	

NO.	Qty.		NO.	Qty.		NO.	Qty.	
P1	3		P6	1		P9	7	
P2	1		P7	1		P10	1	
P4L	2		P8	13				
P4R	2							

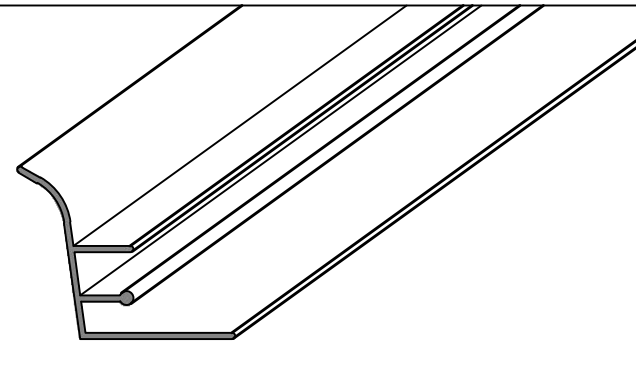




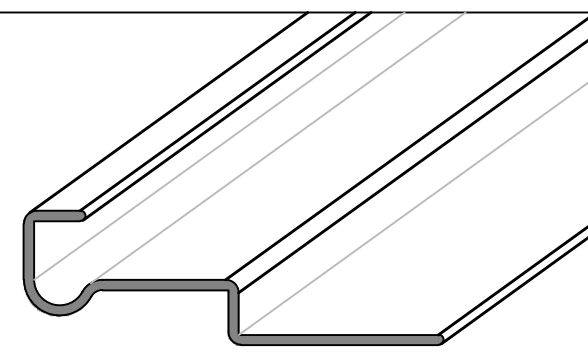
W1 x1



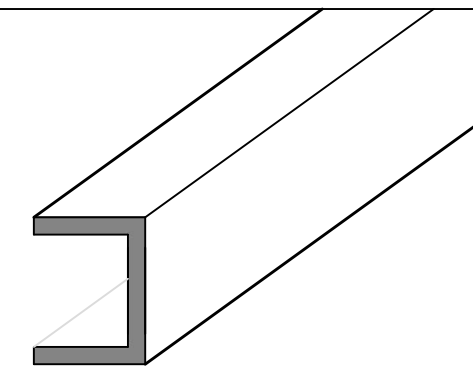
W2 x2



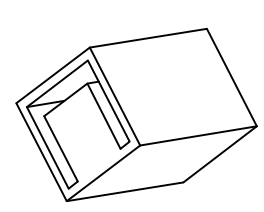
W3 x1



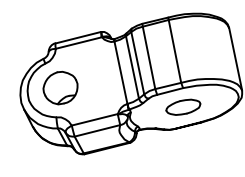
W4 x1



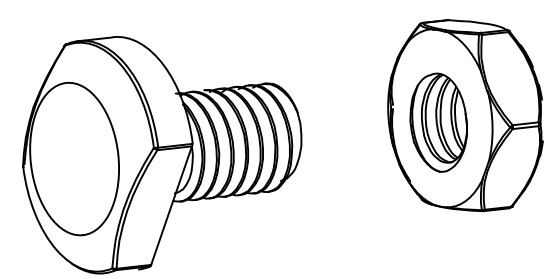
S8 x1



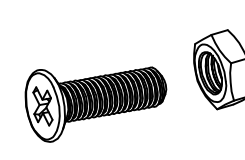
S9 x1



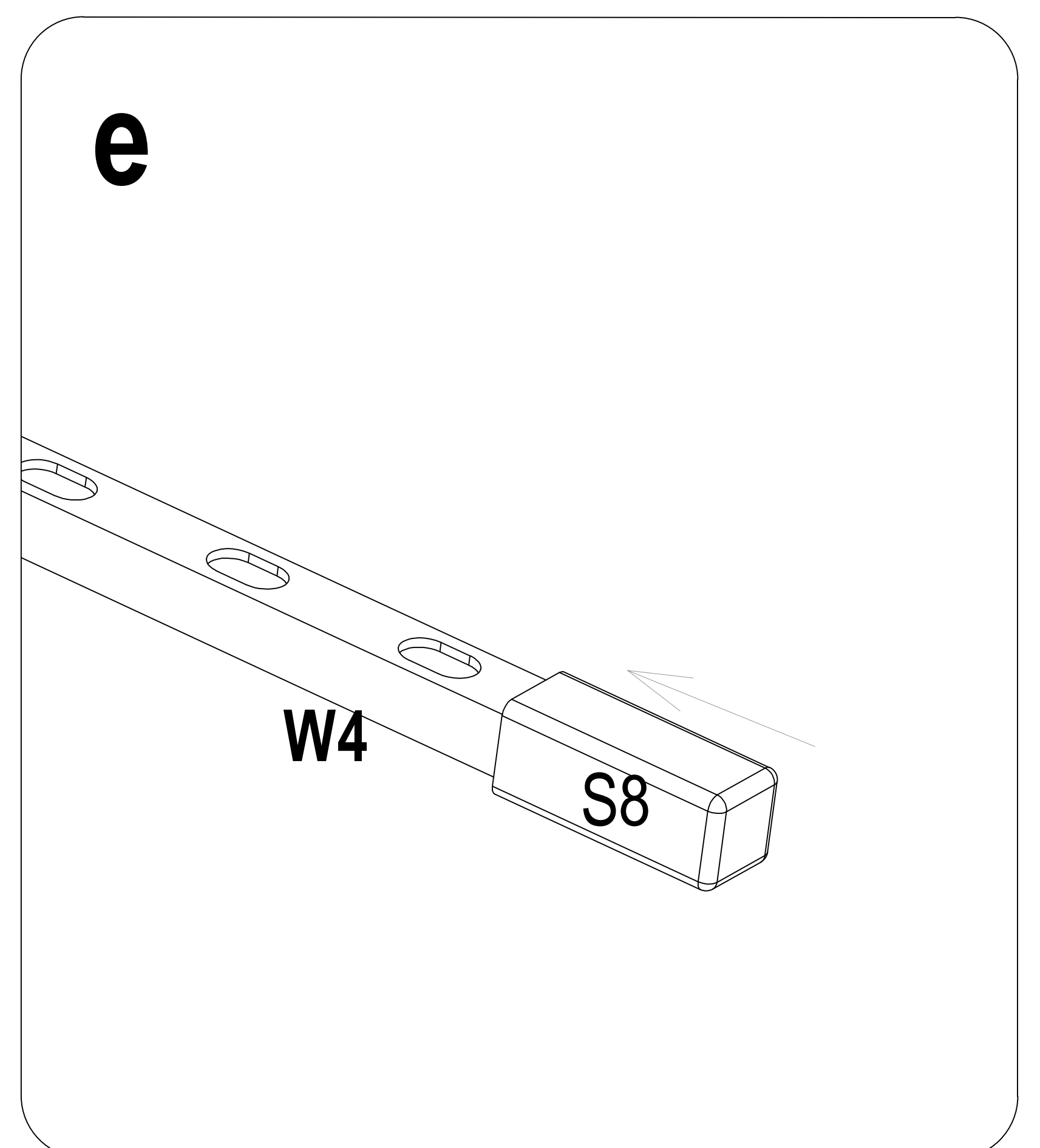
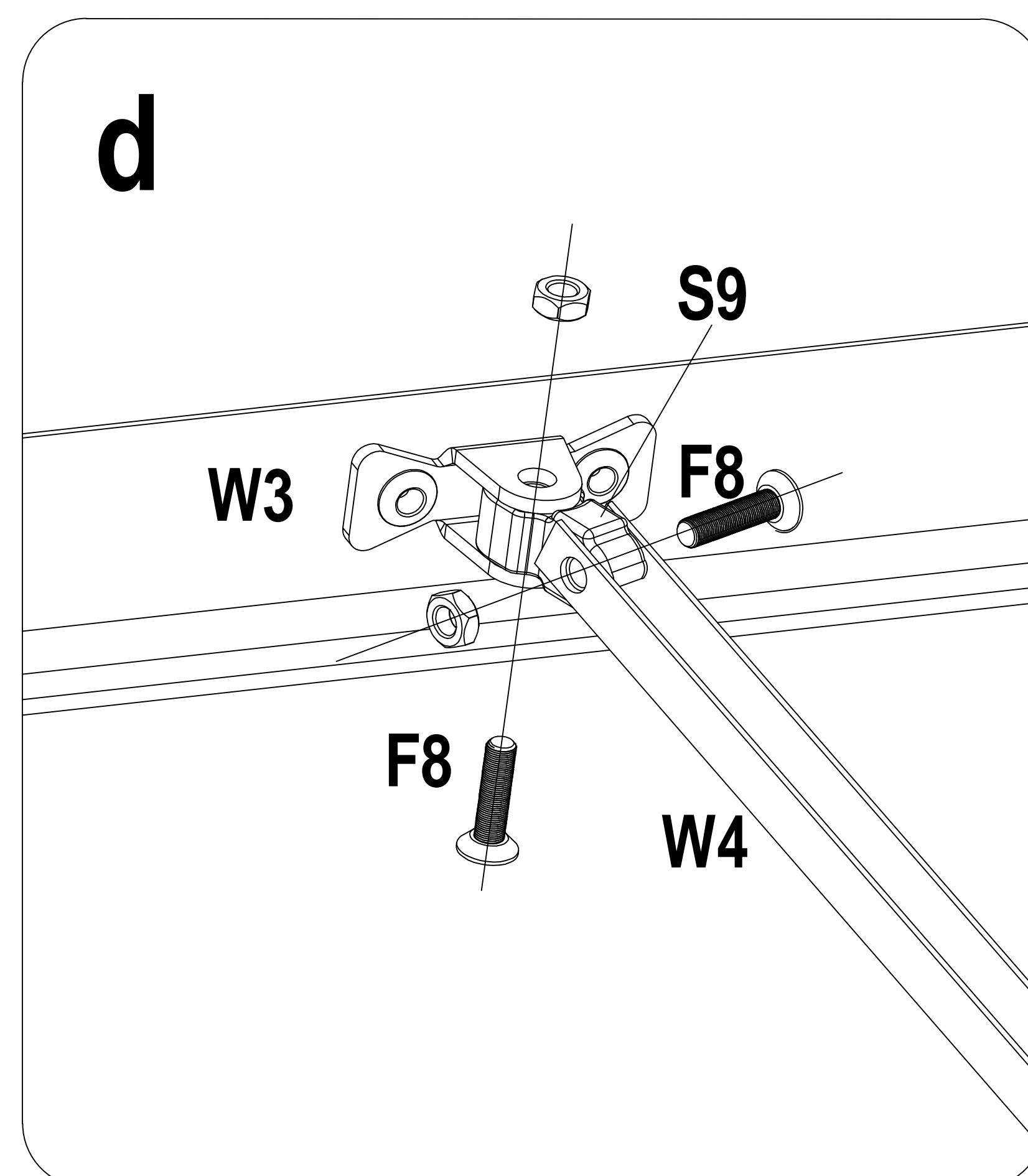
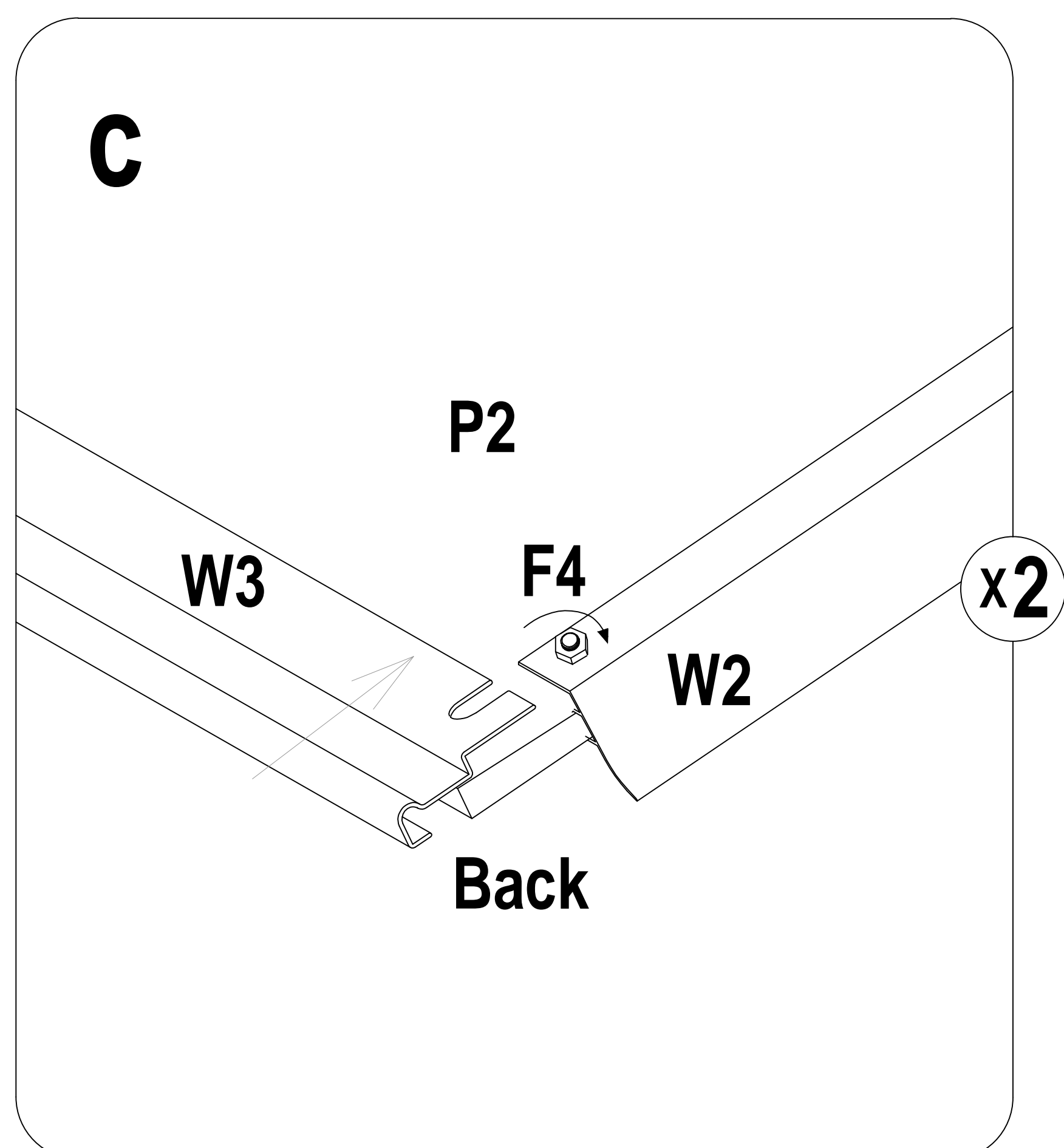
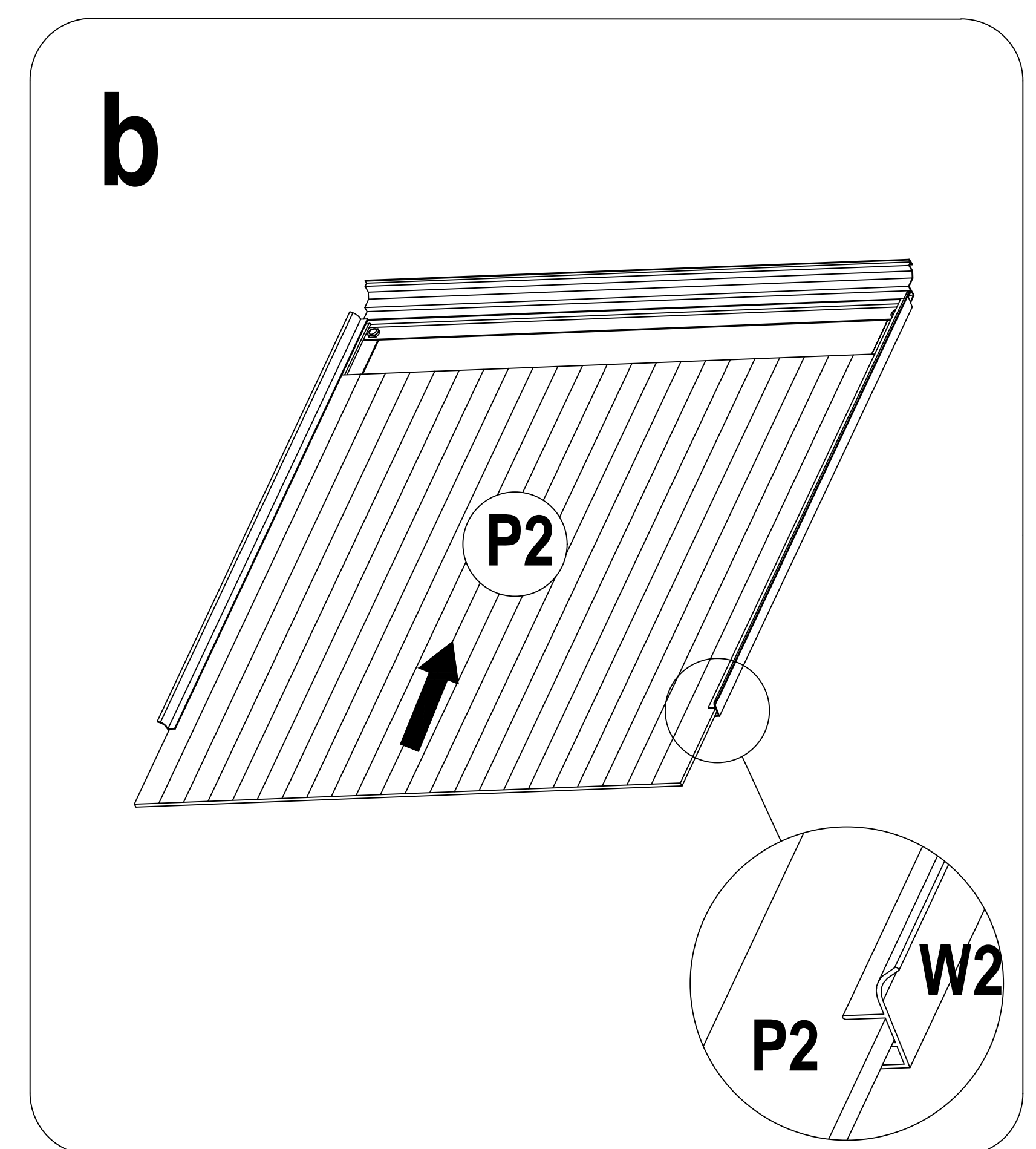
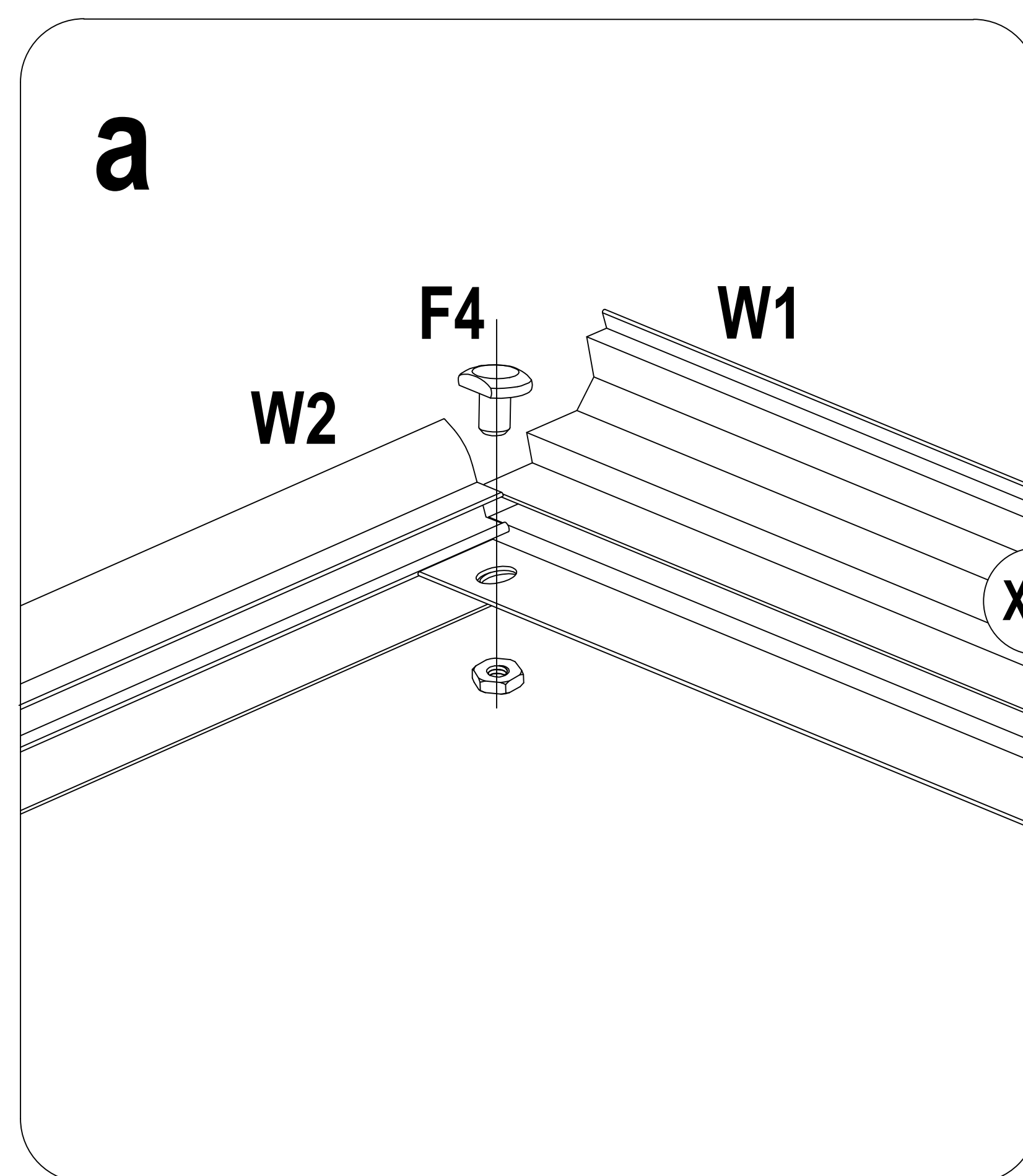
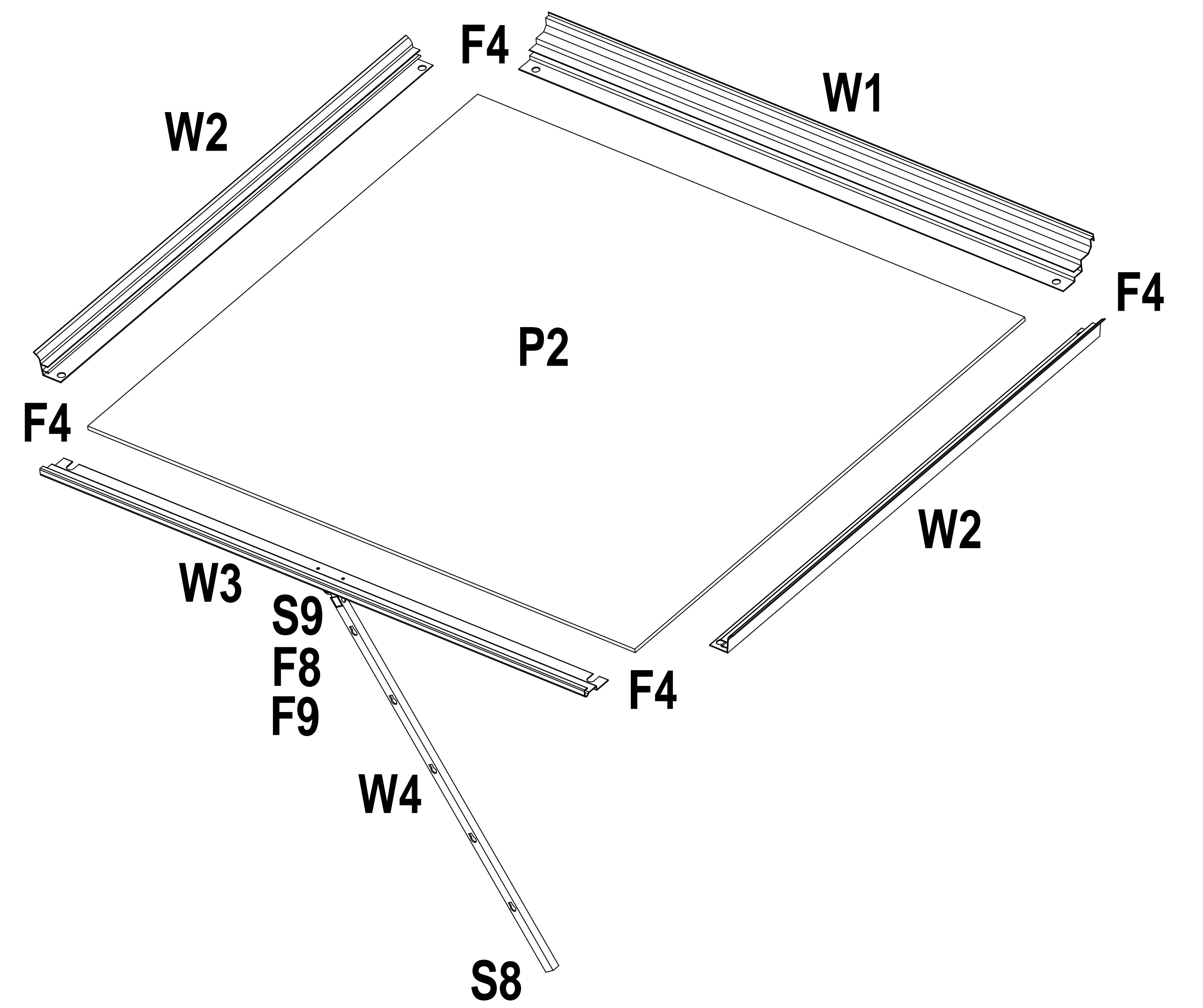
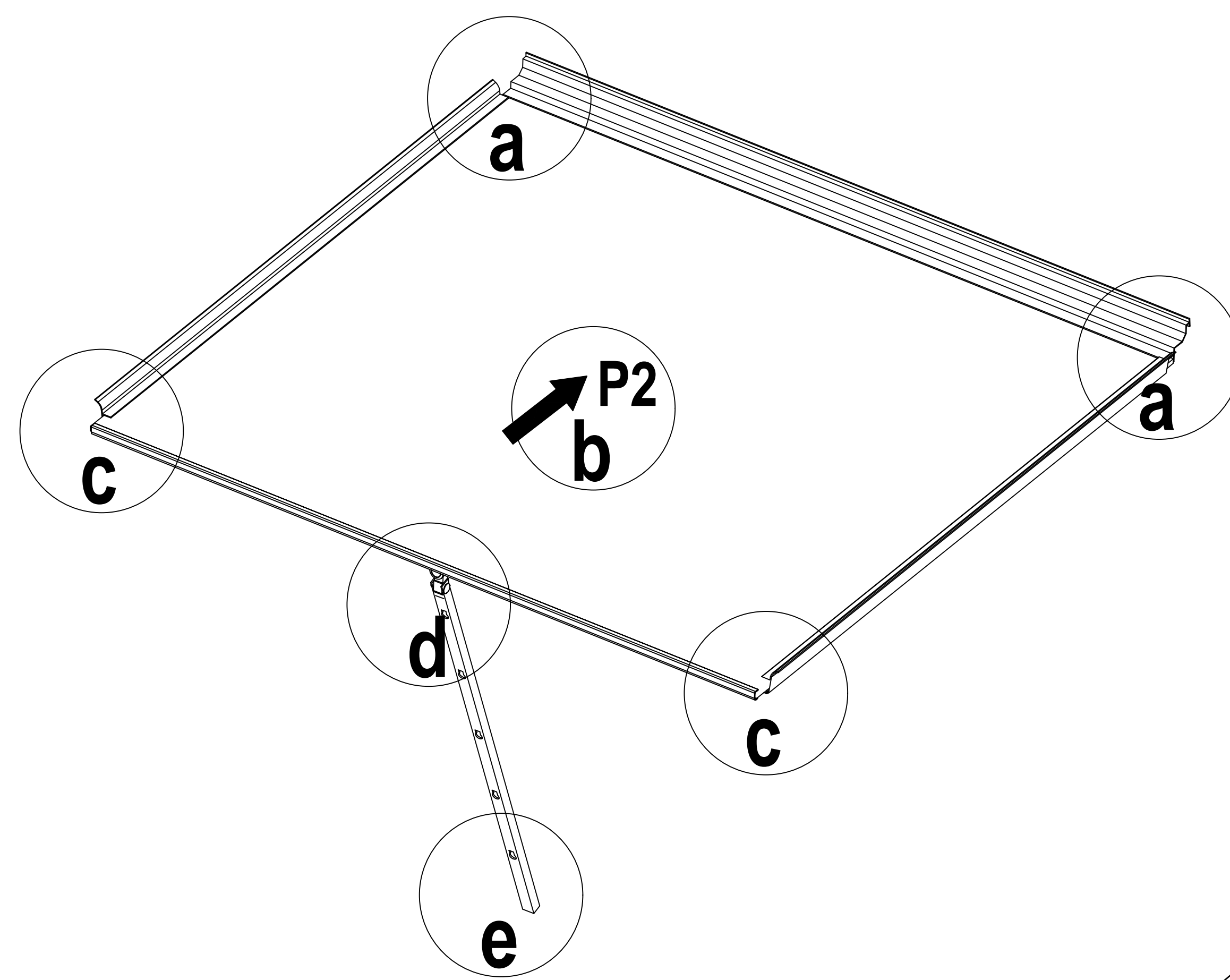
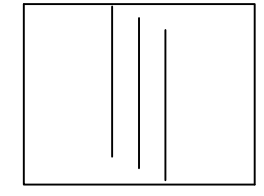
F4 x4

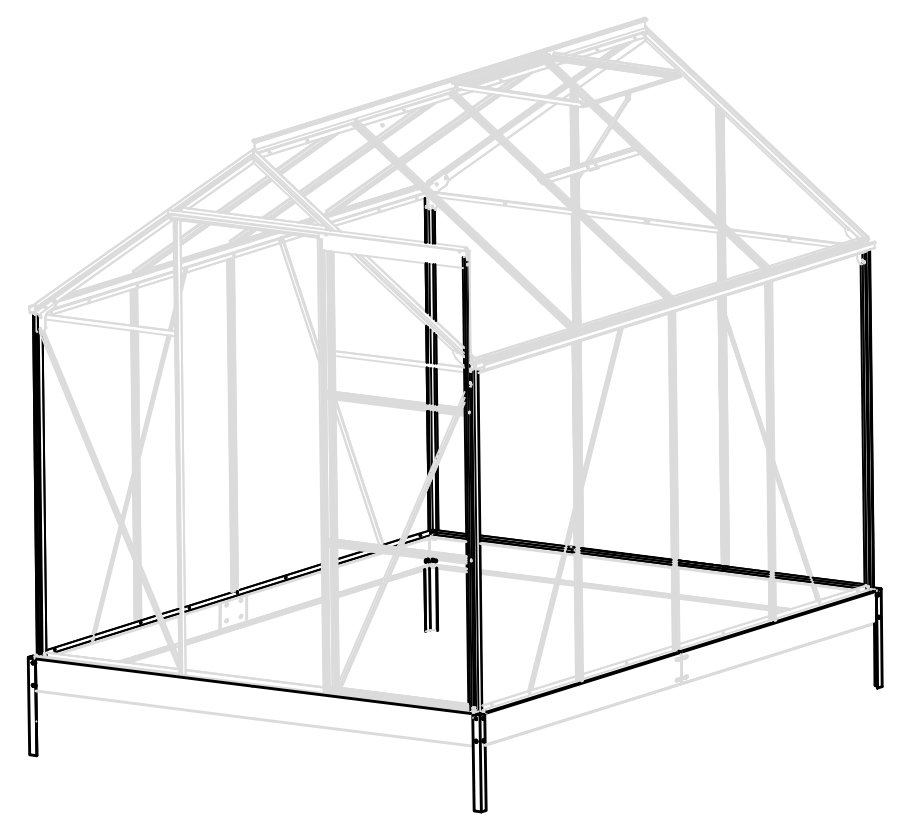


F8 x2

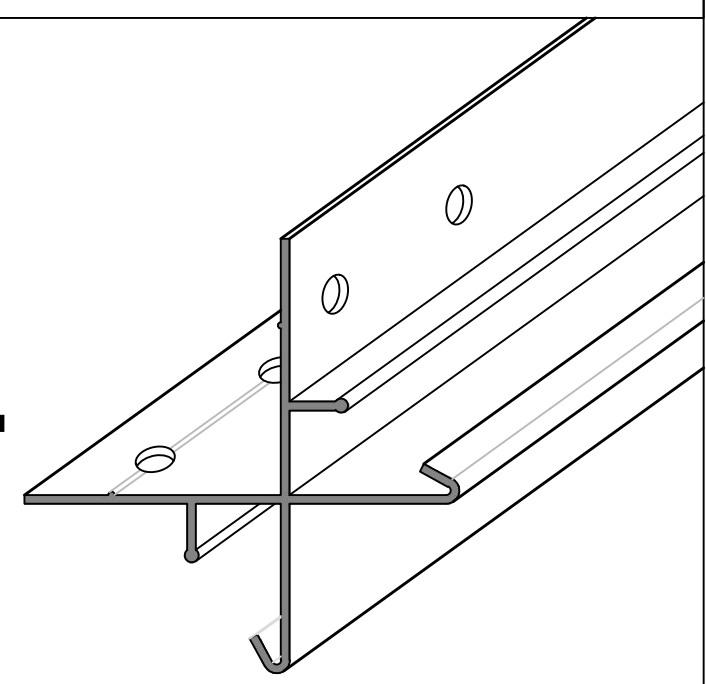


P2 x1

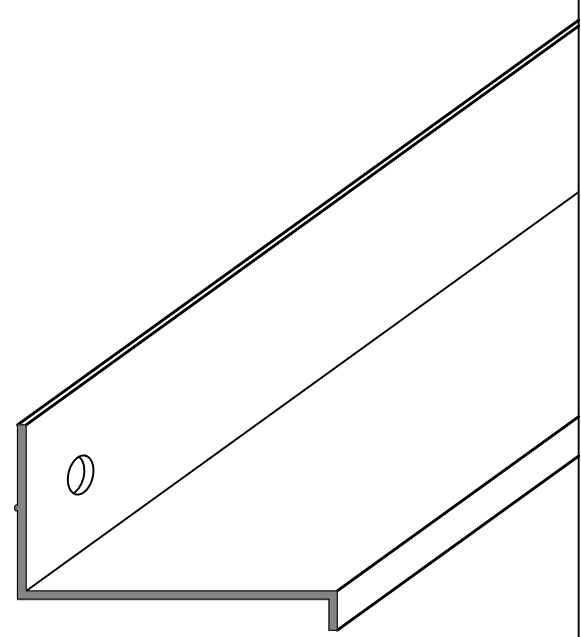




7 x 4



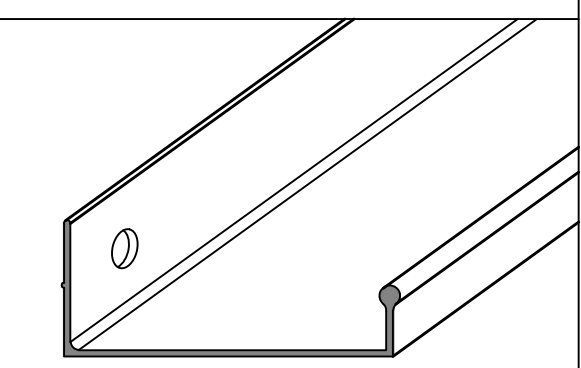
5 x 1



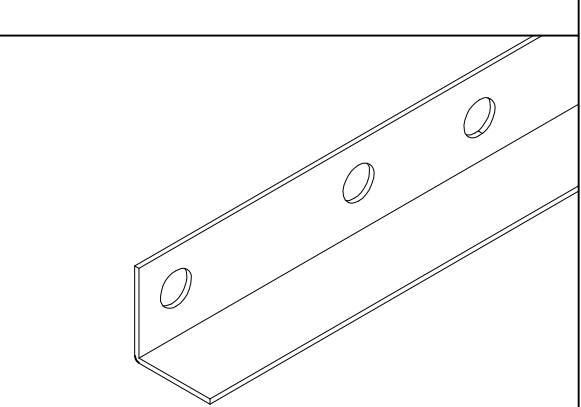
4L x 2

4R x 2

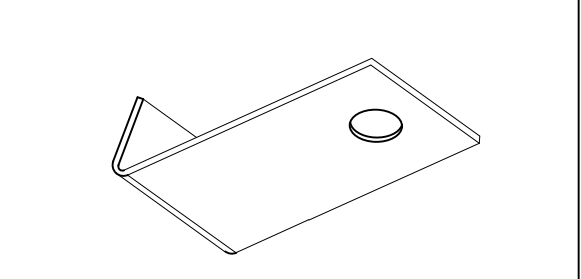
6 x 1



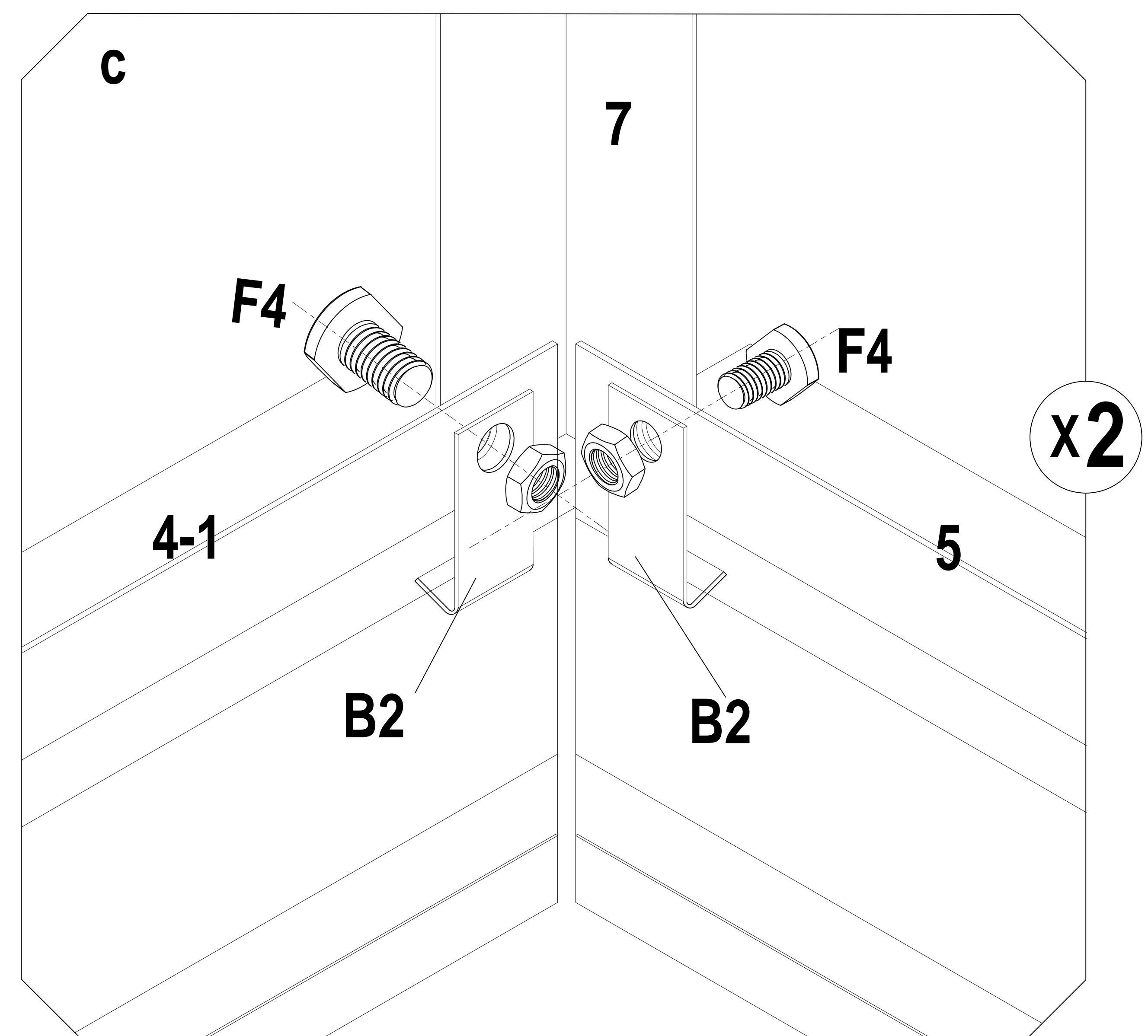
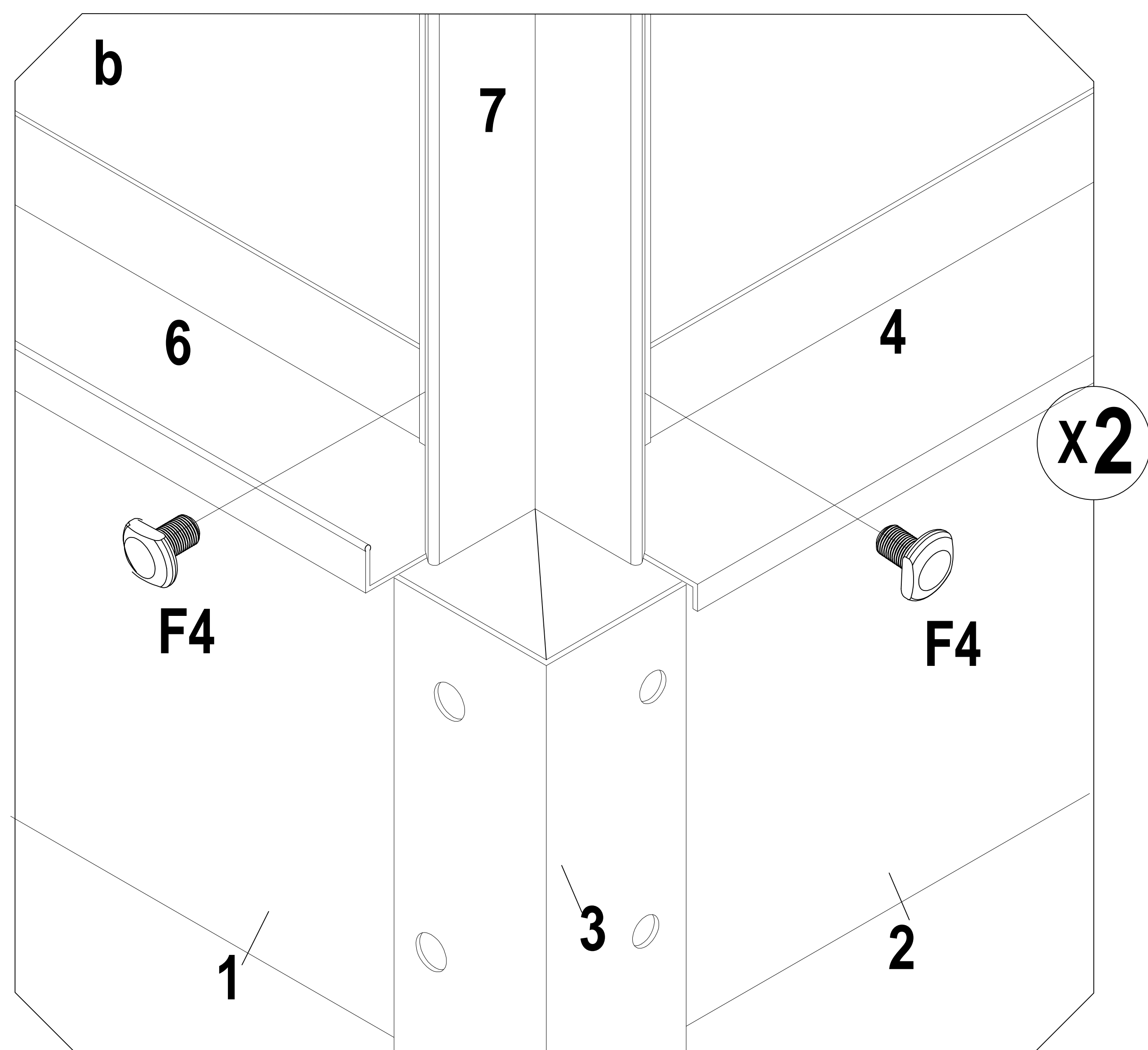
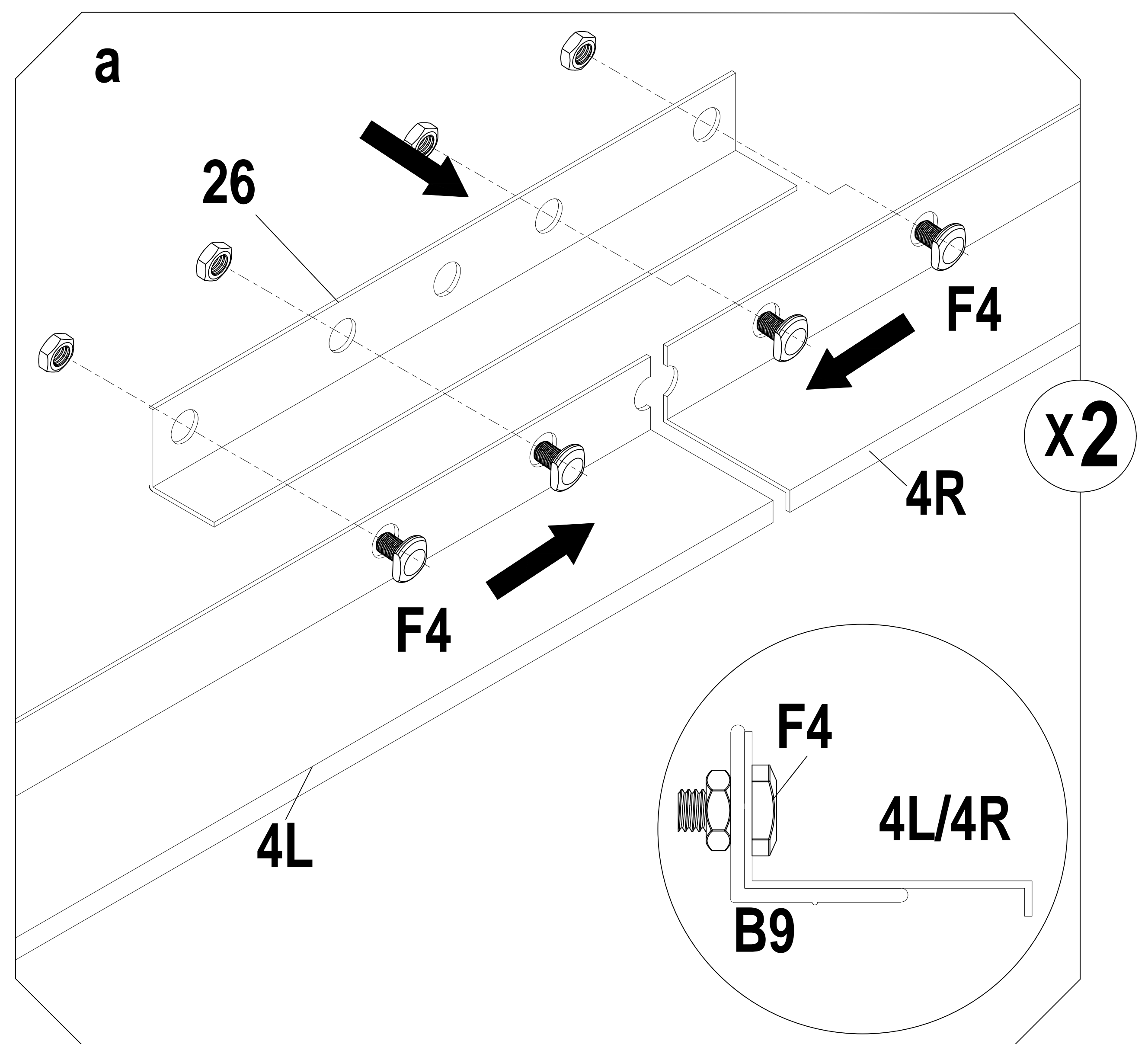
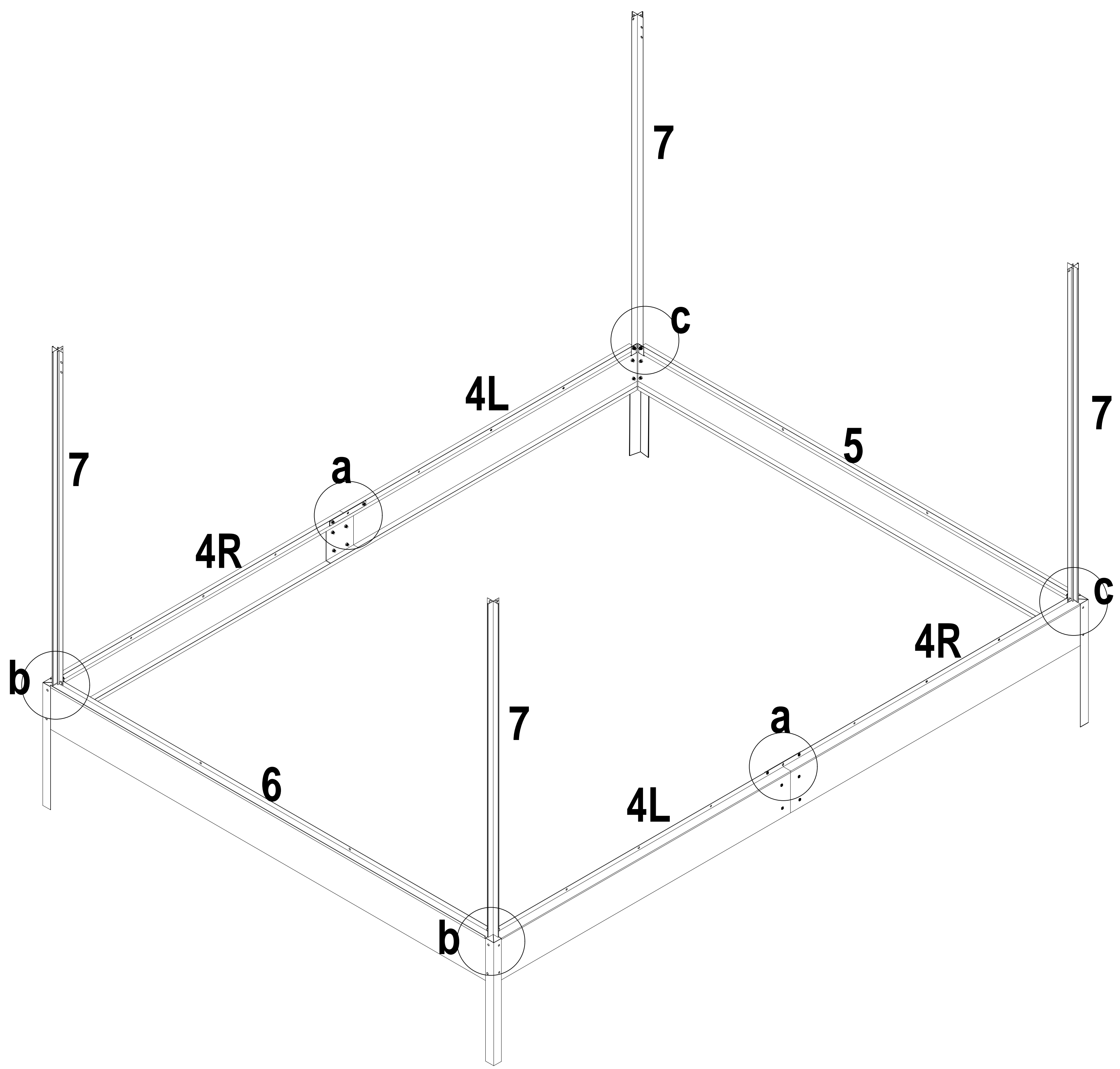
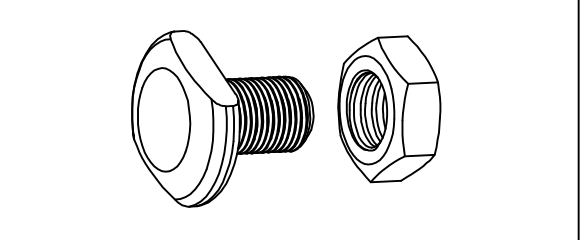
26 x 2

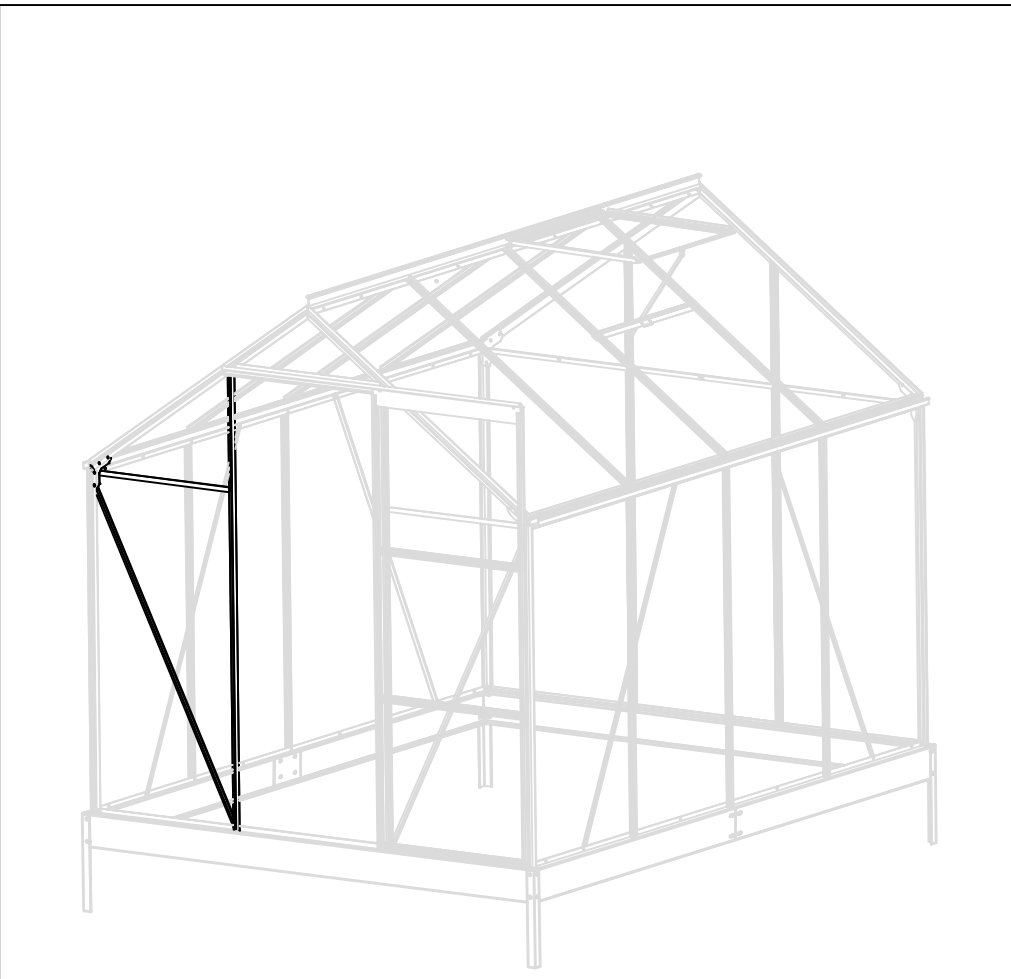


B2 x 8

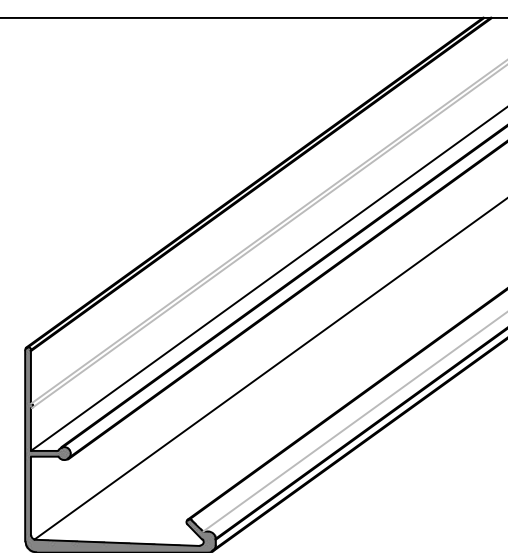


F4 x 16

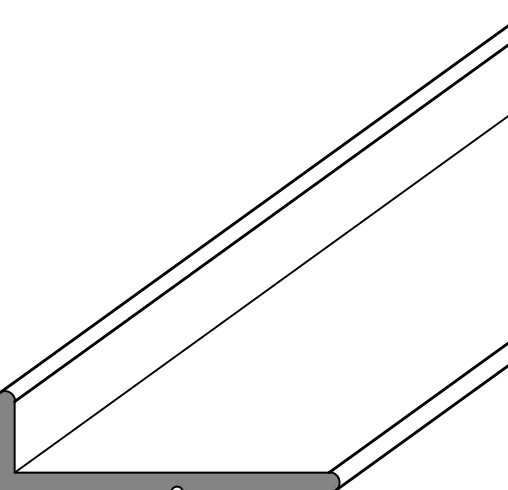




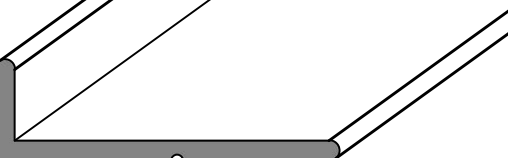
9L x1



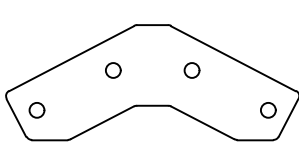
12 x1



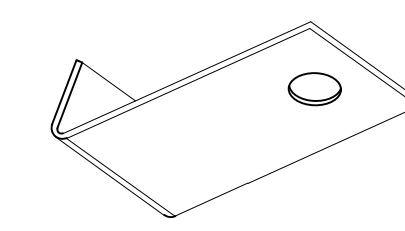
23 x1



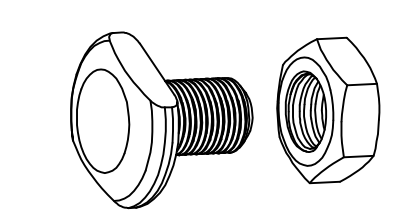
B5 x1



B2 x1



F4 x 4



B5

a

12

c

7

23

9L

b

7

7

7

a

B5

12

F4 X2

7

23

b

23

B2

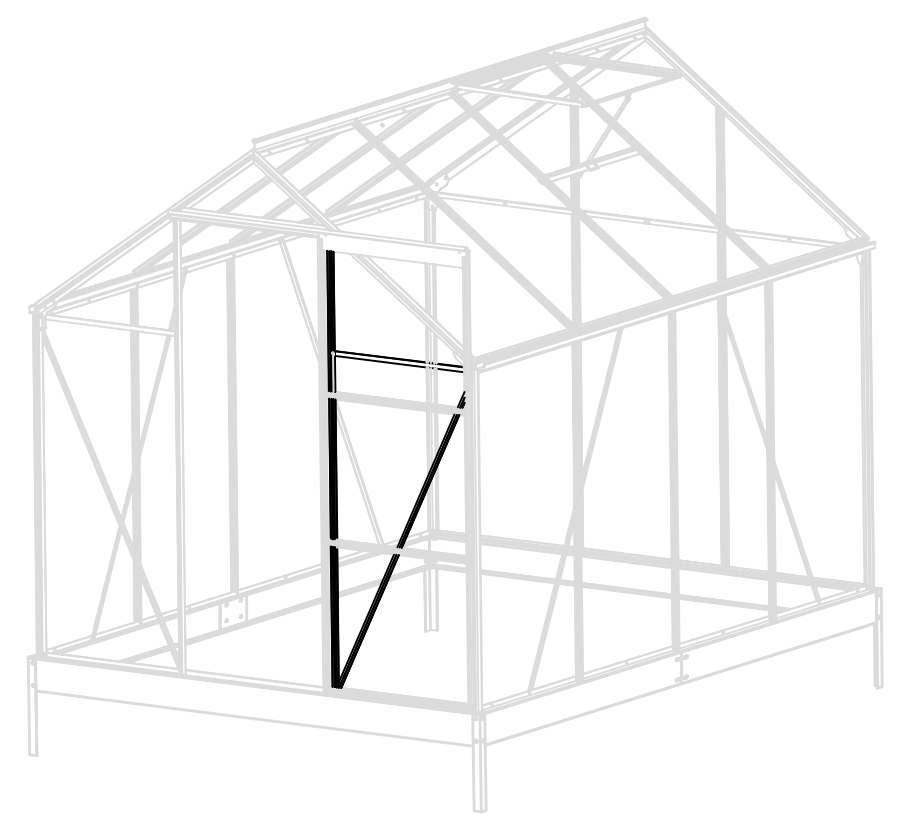
F4

c

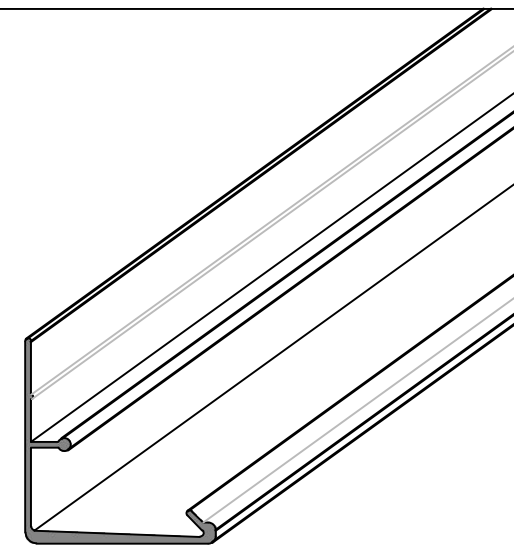
9L

F4

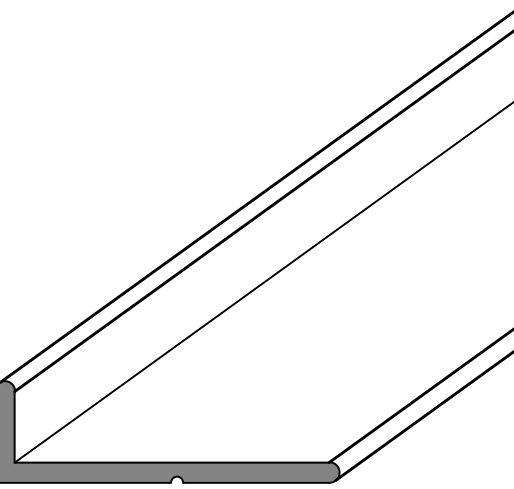
12



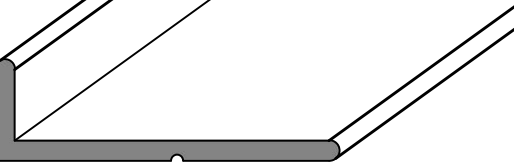
9R x1



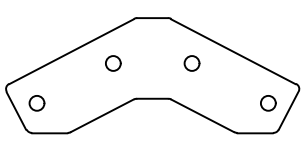
12 x1



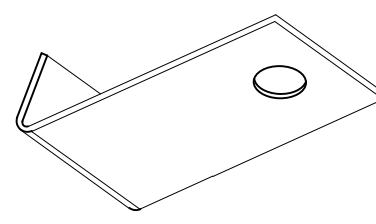
23 x1



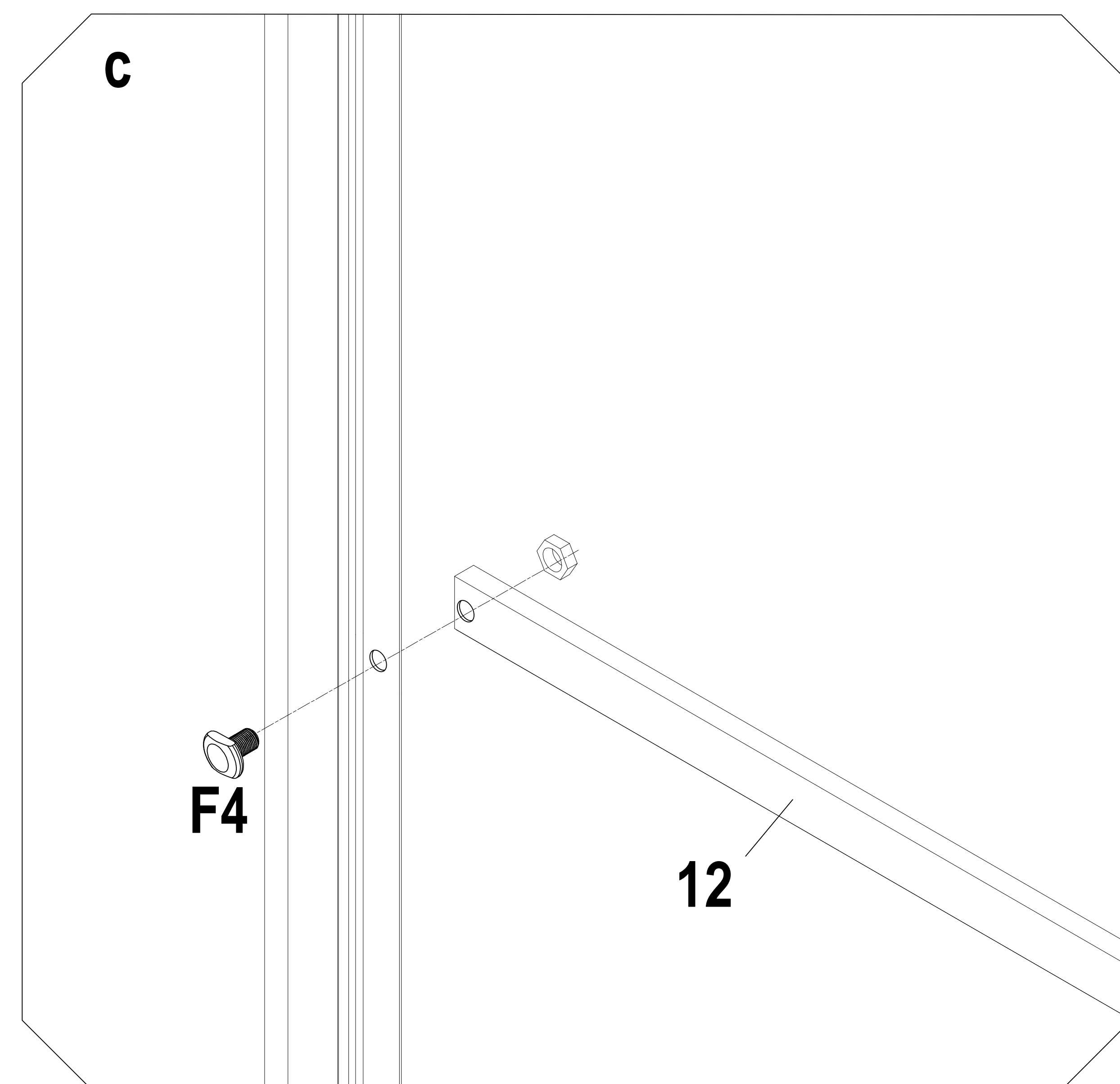
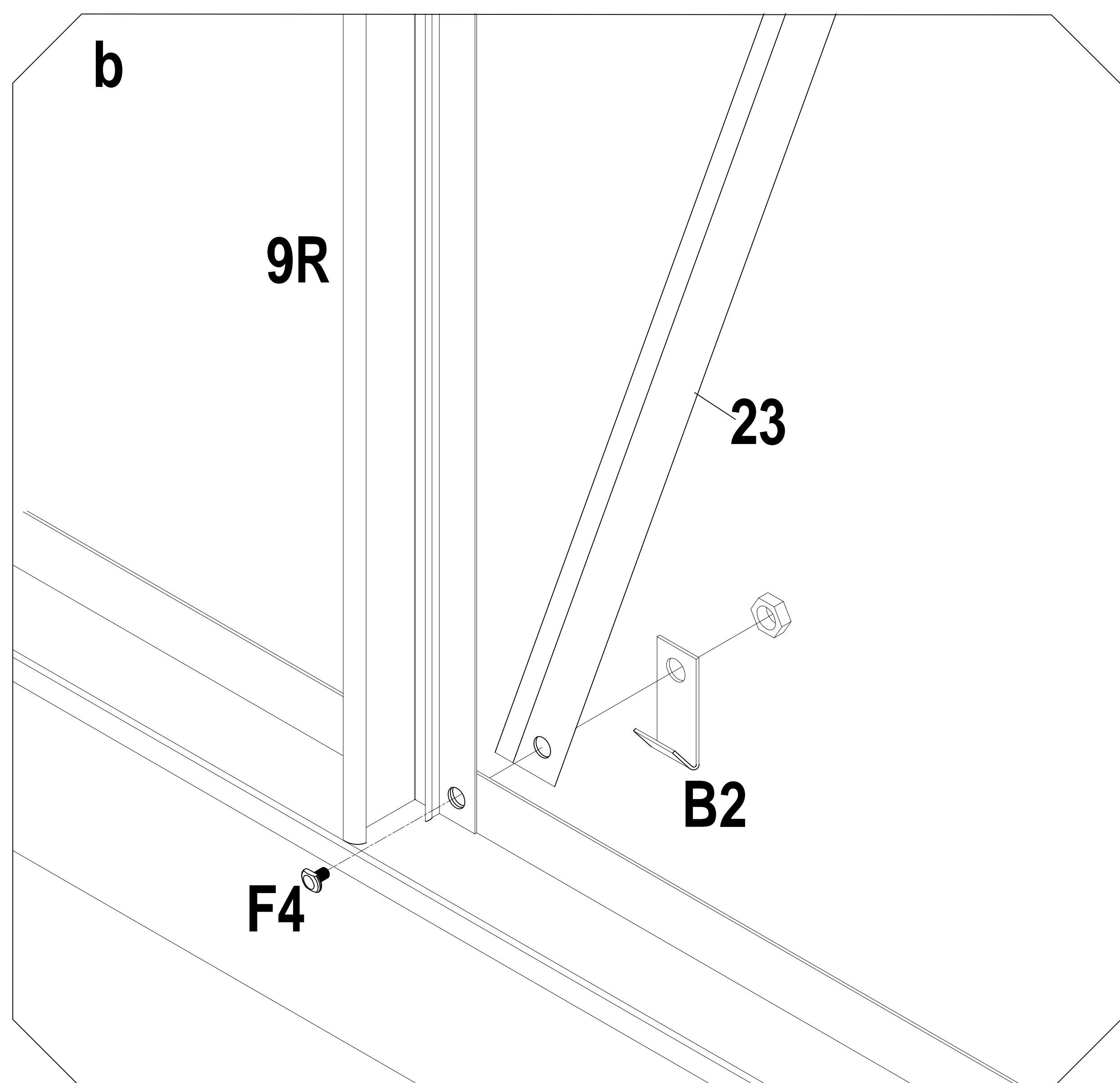
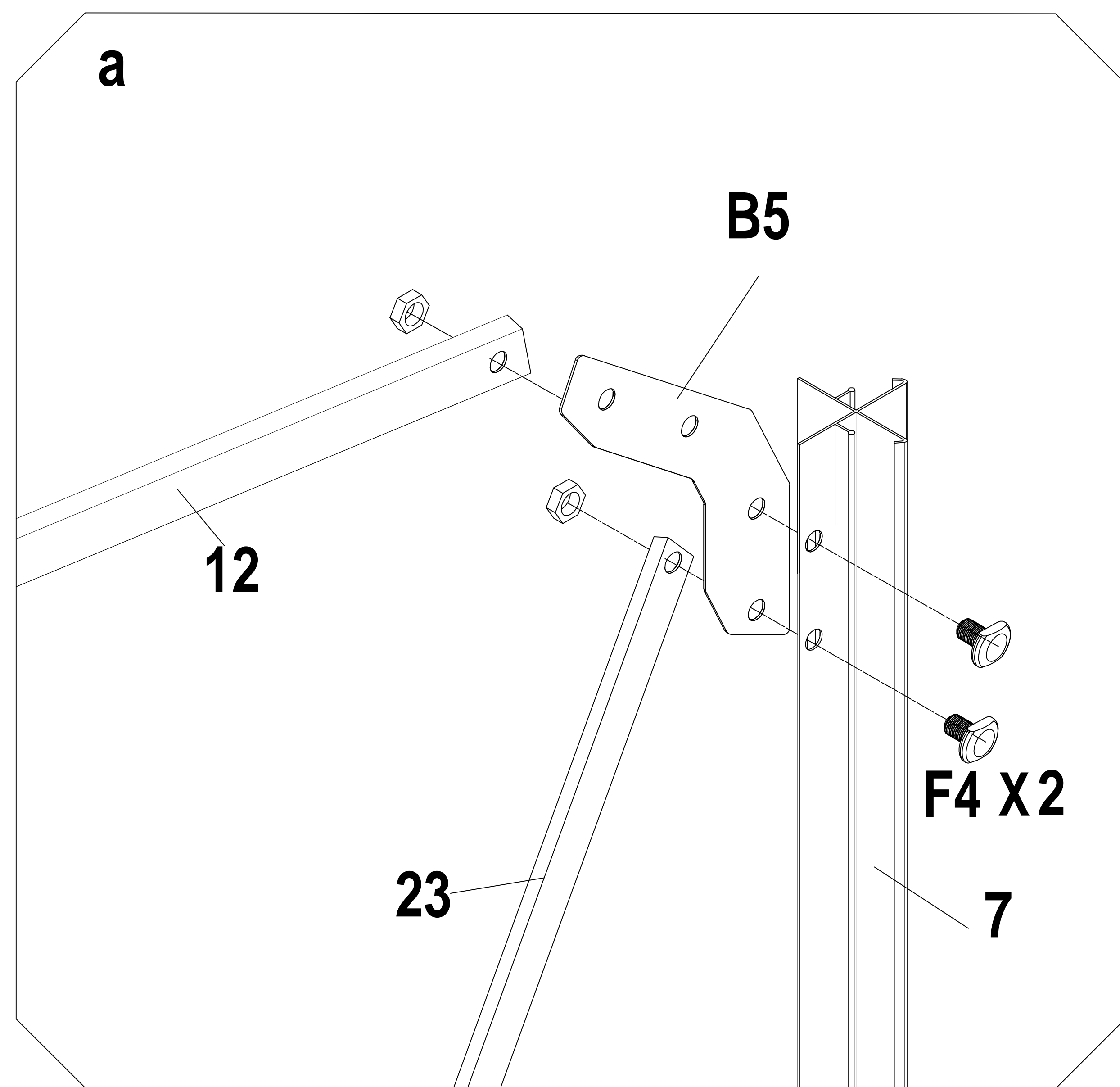
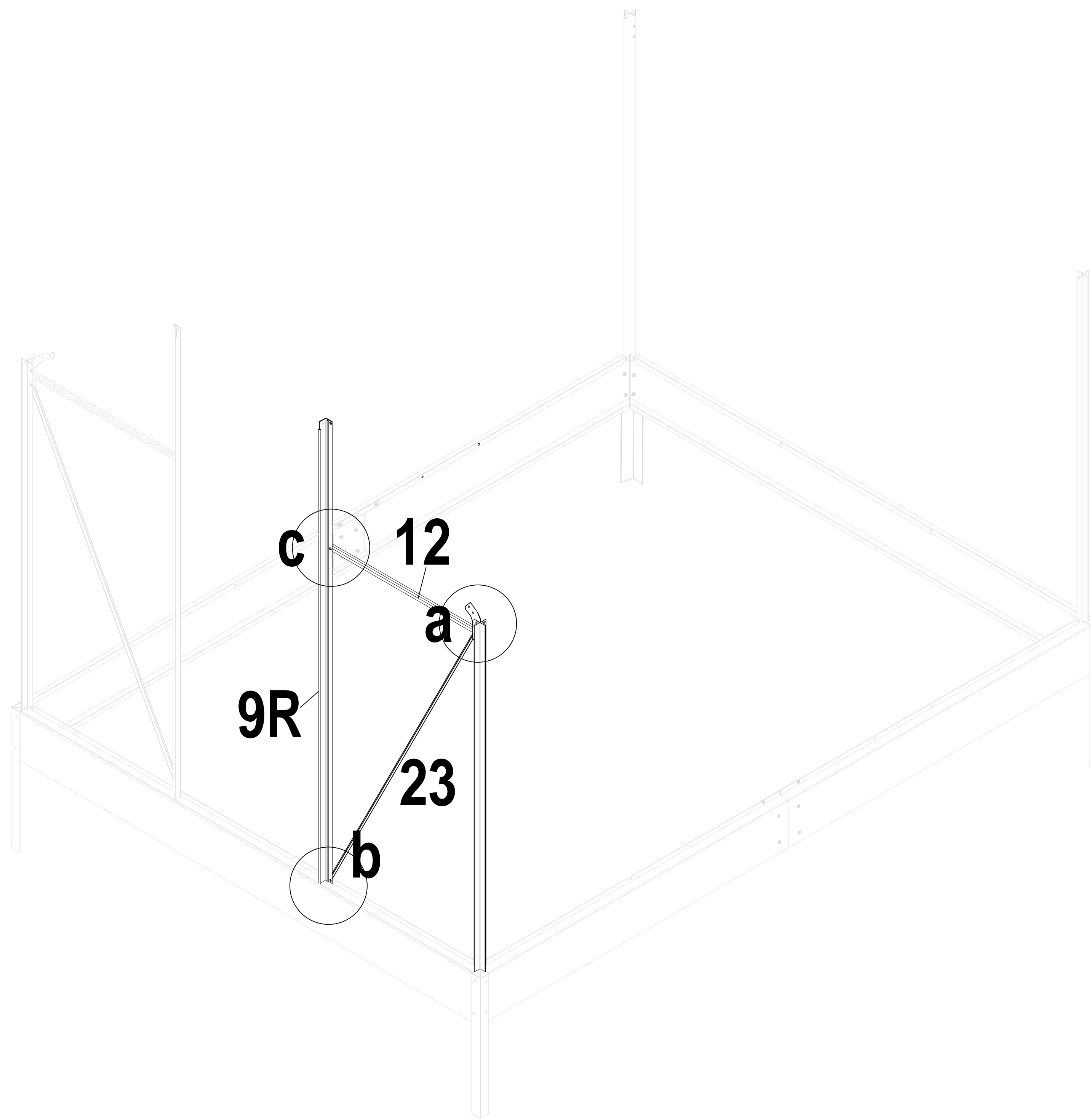
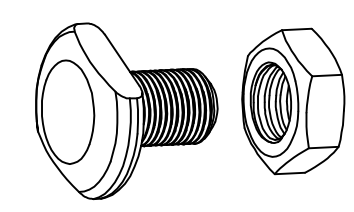
B5 x1

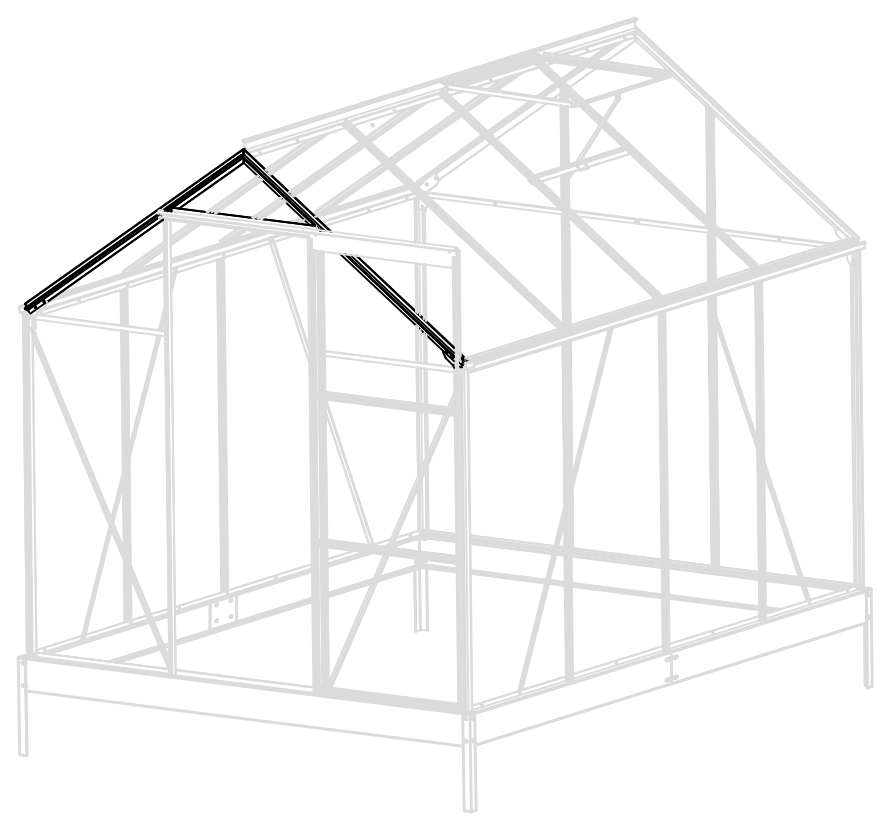


B2 x1



F4 x 4



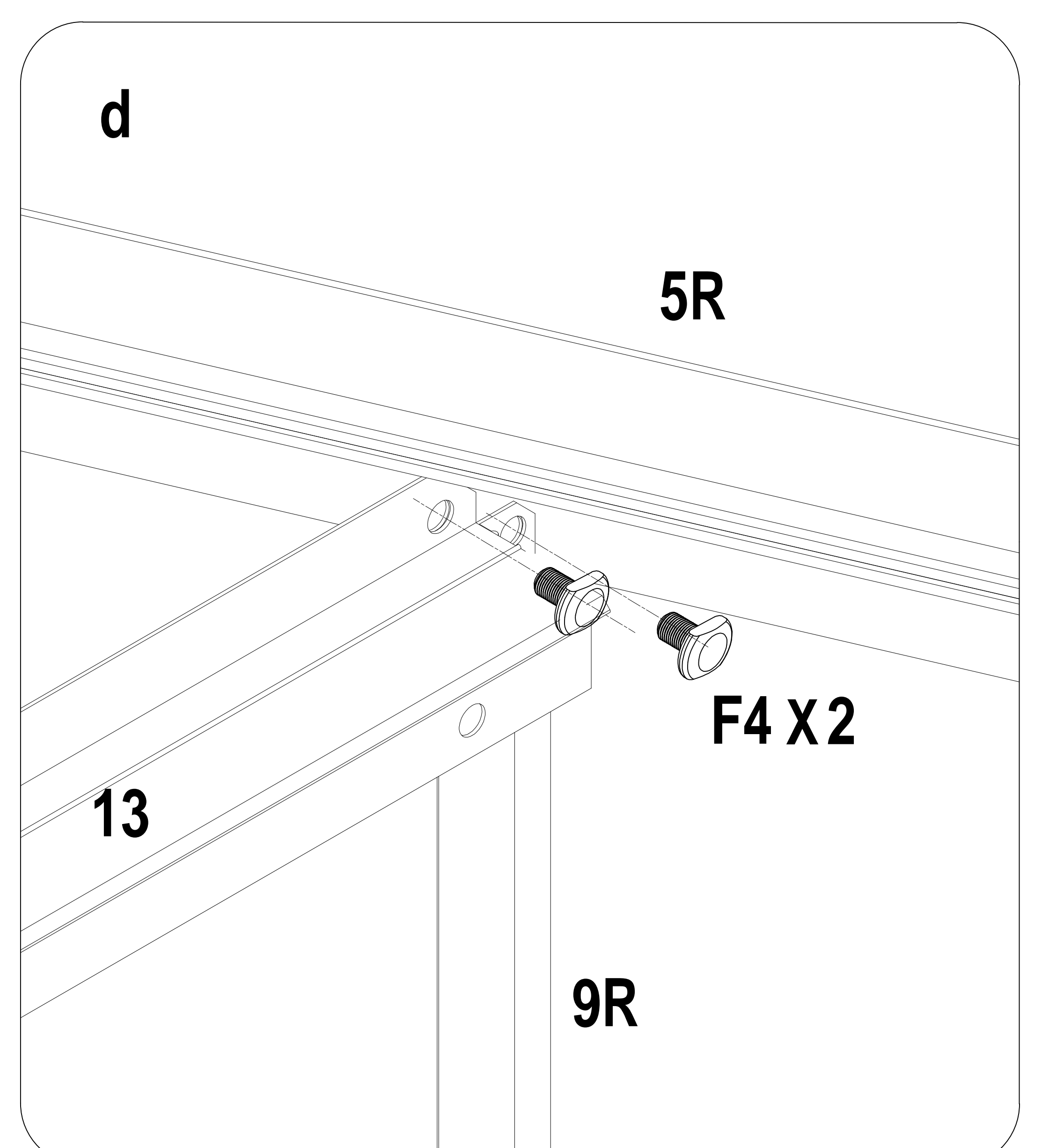
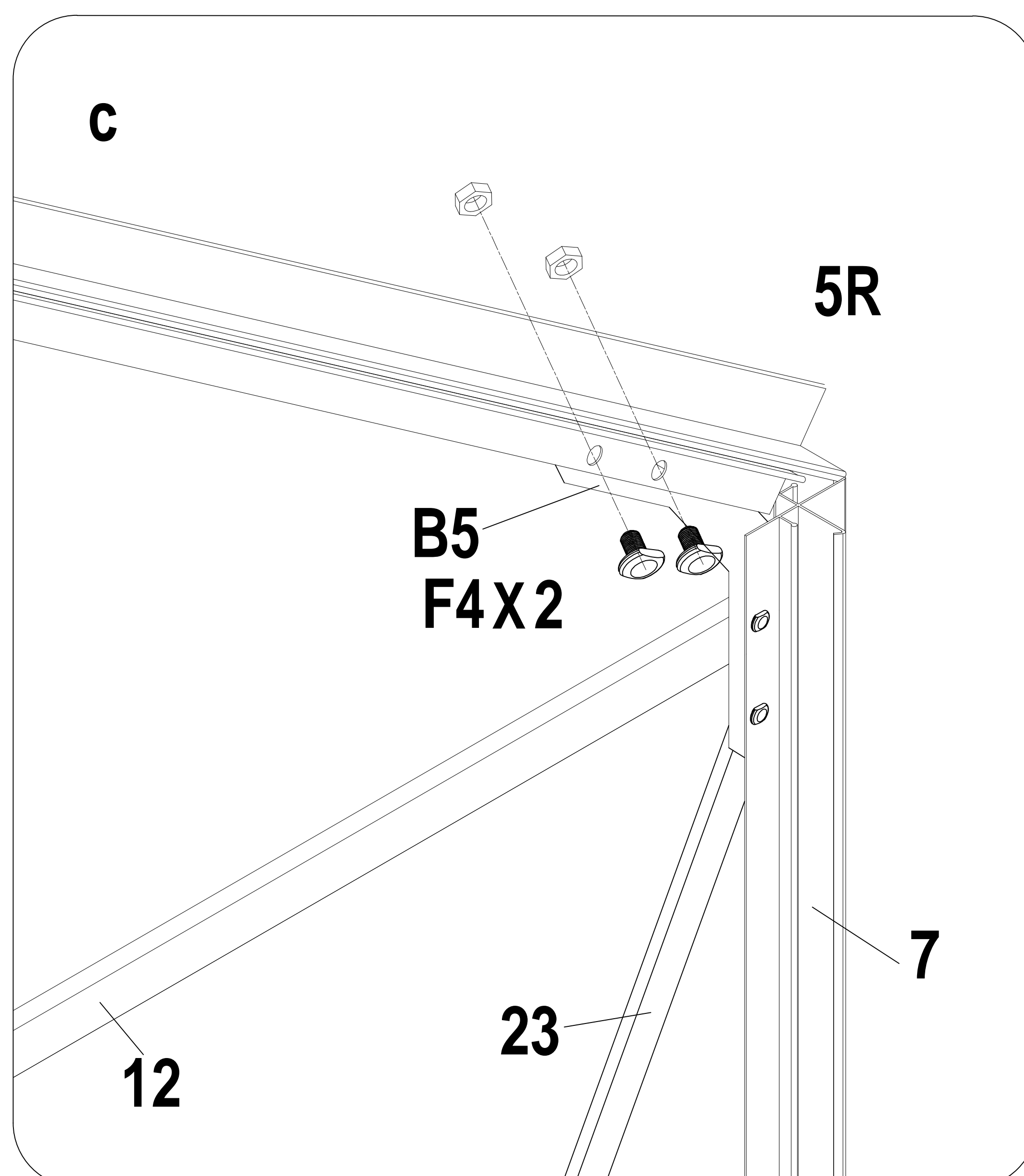
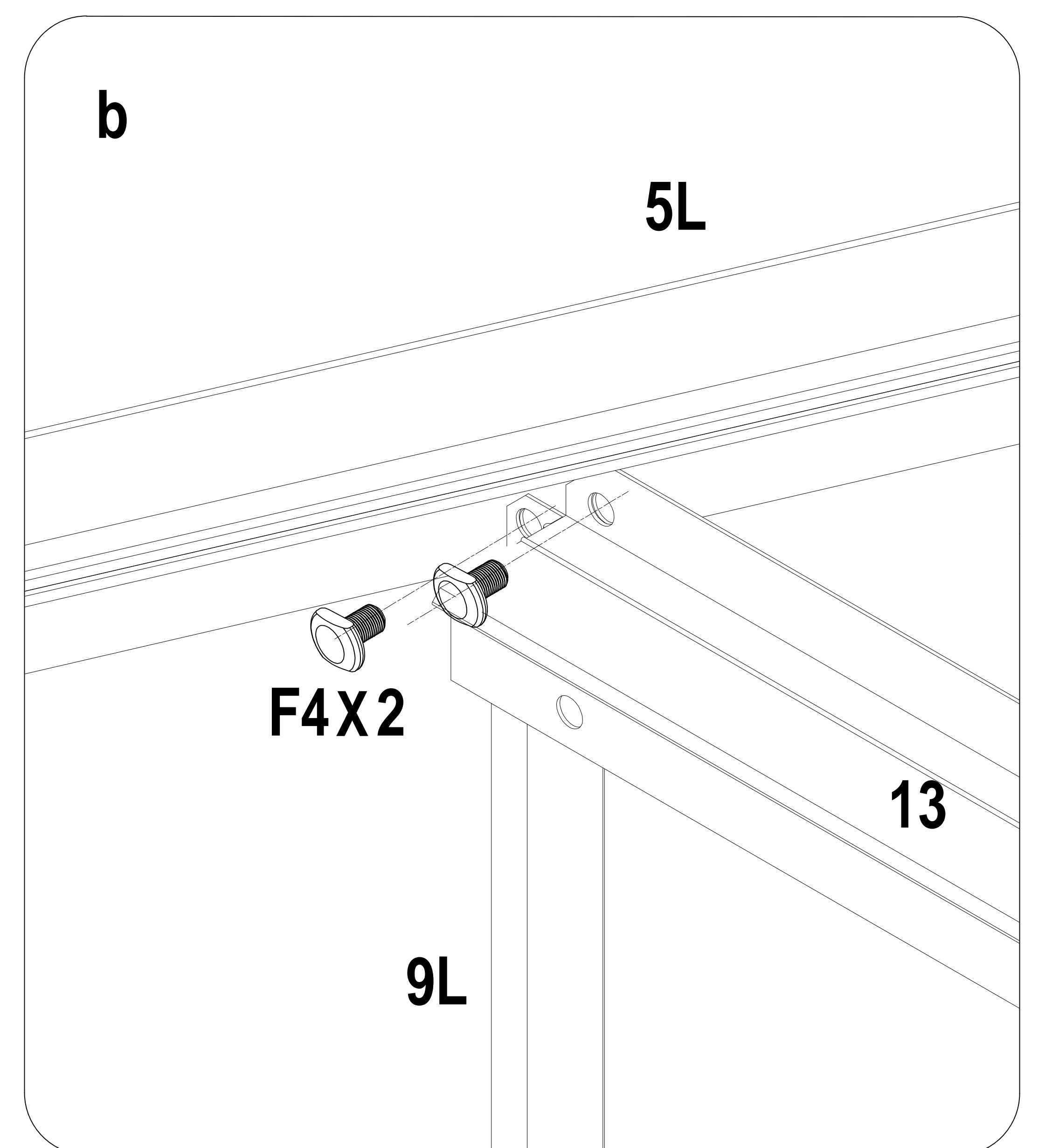
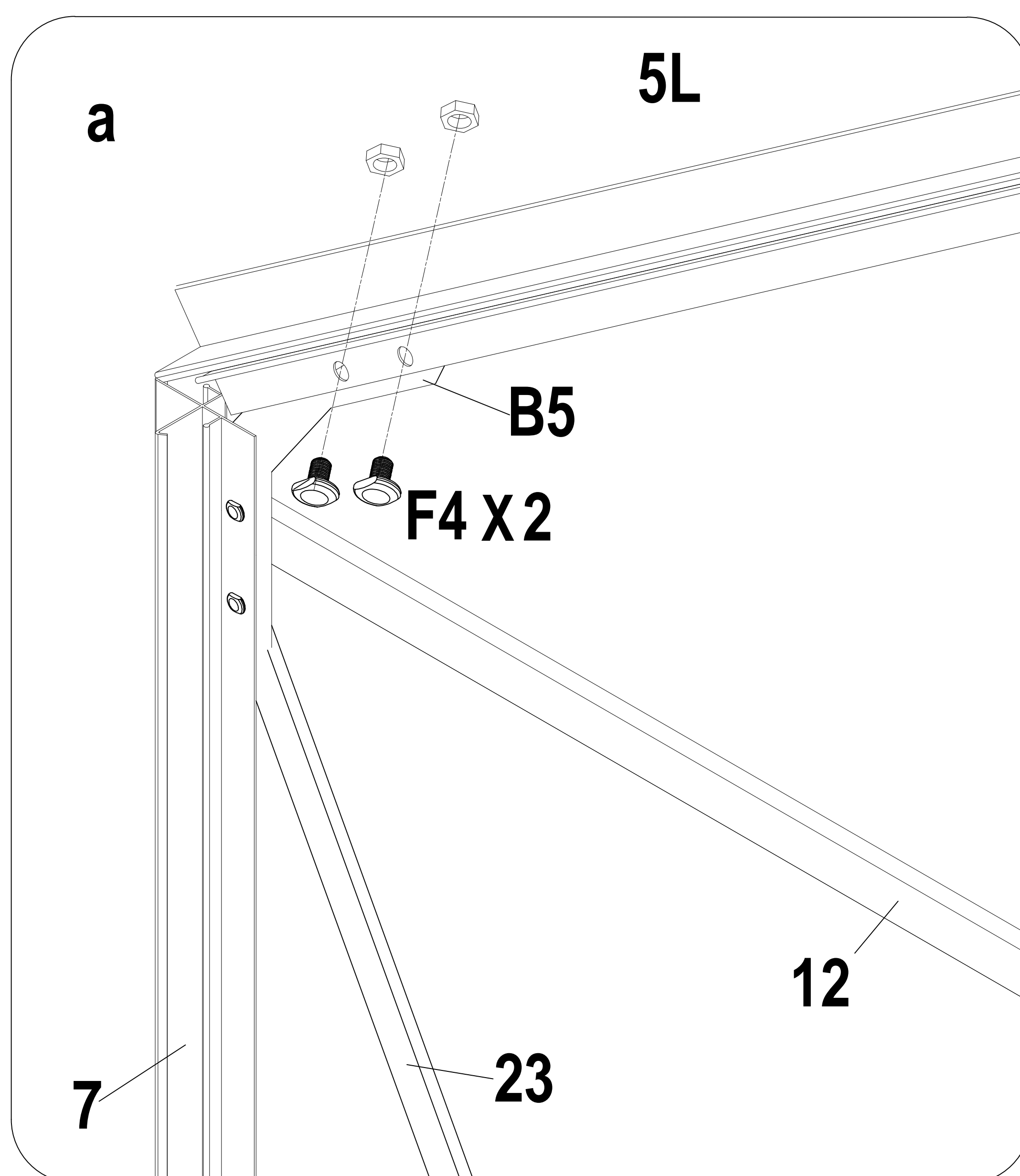
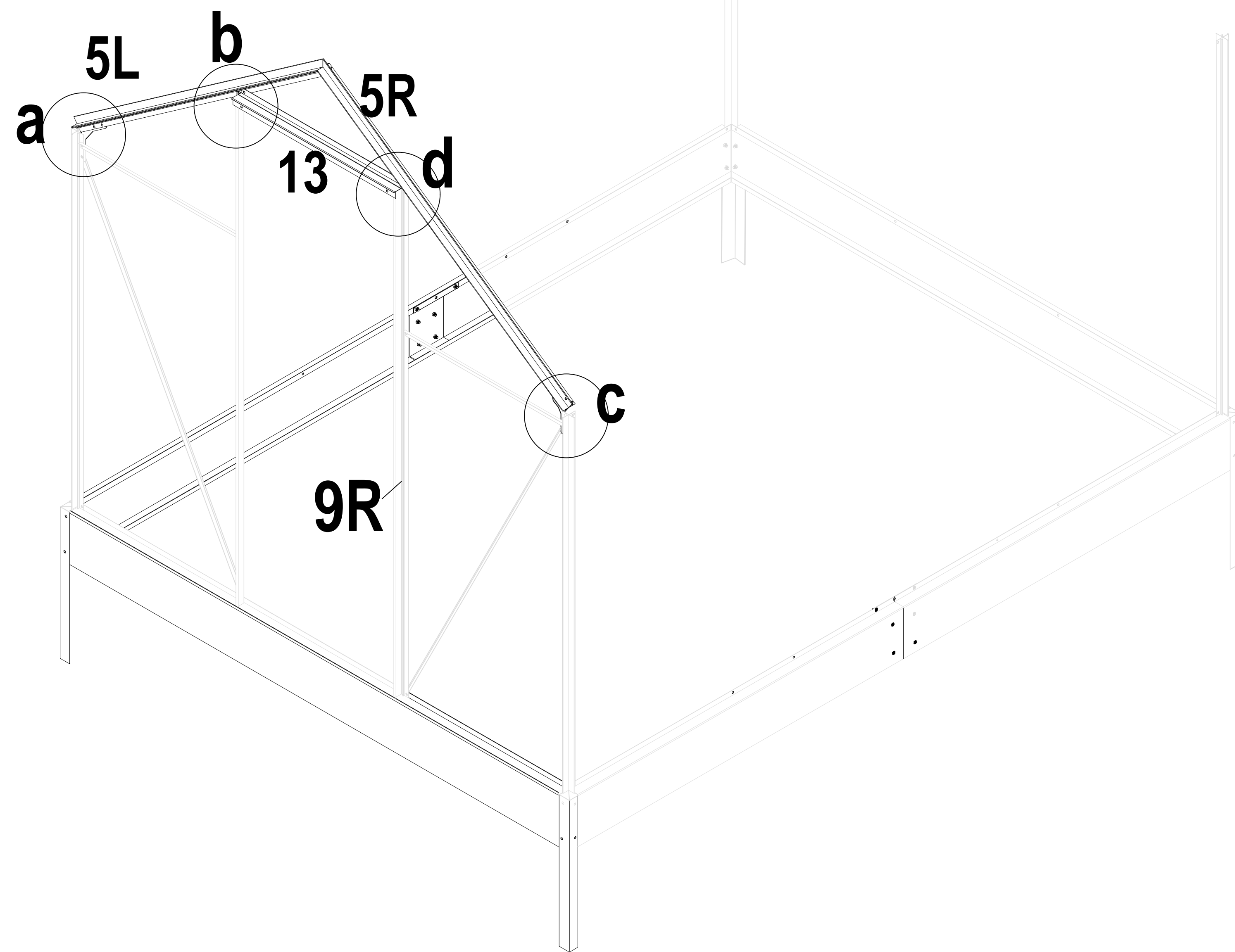
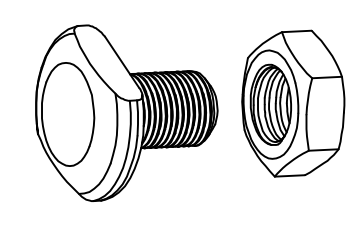
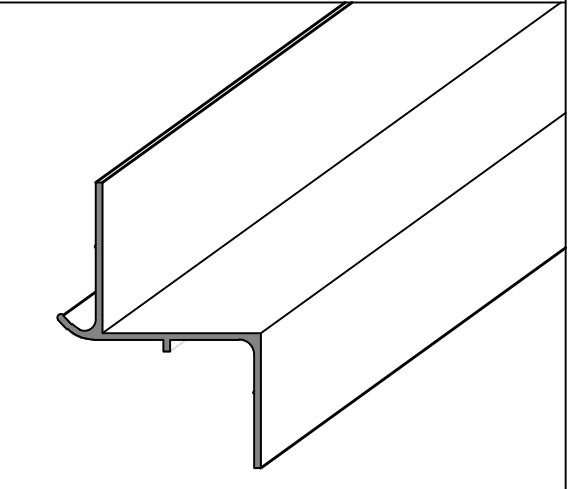
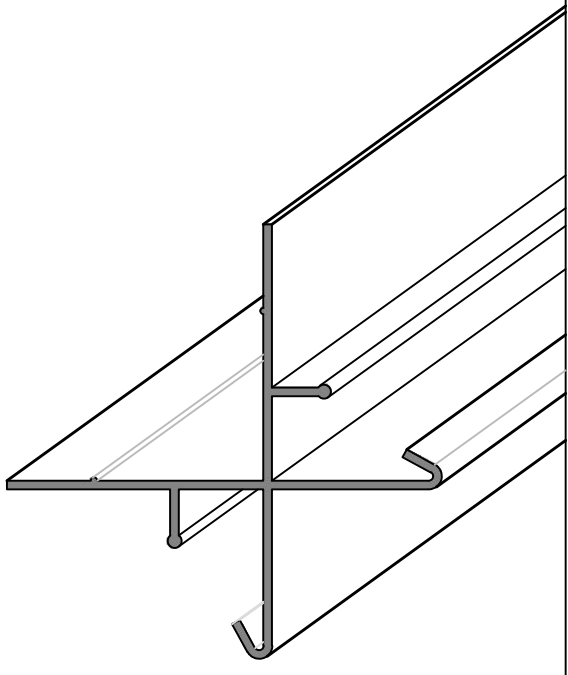


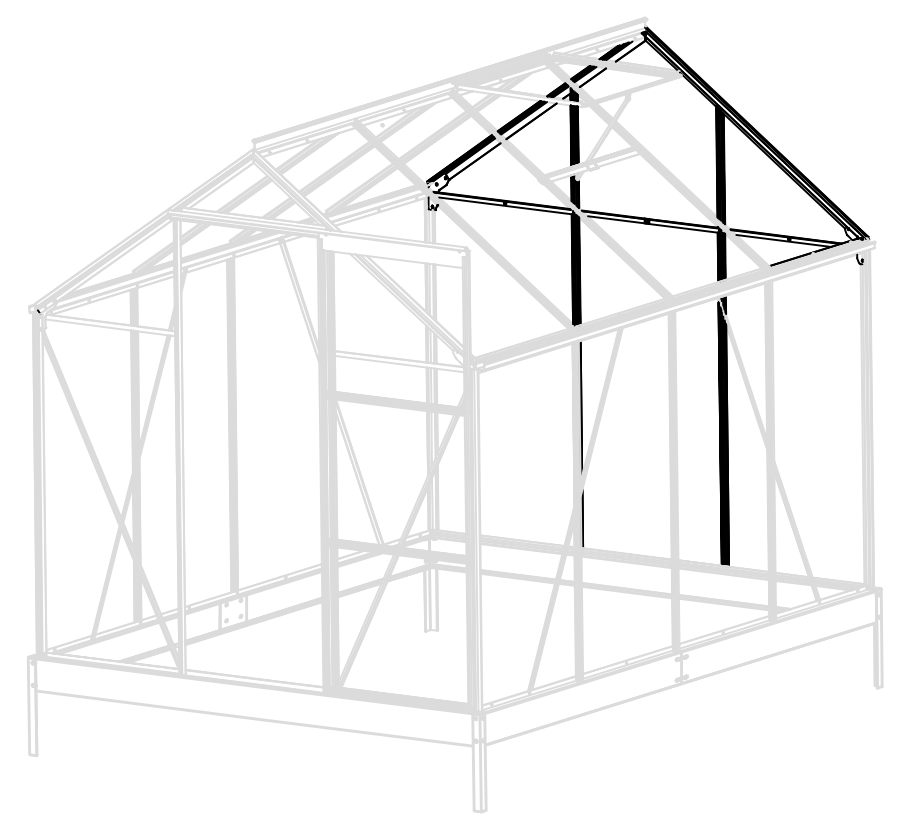
5L x1

5R x1

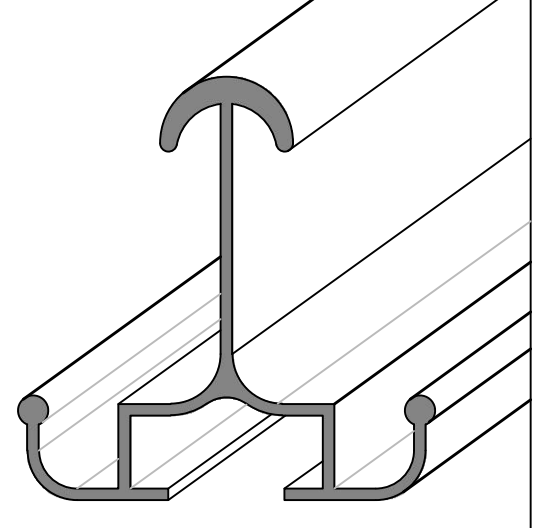
13 x1

F4 x8

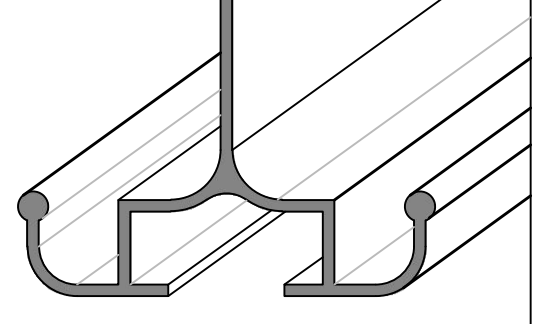




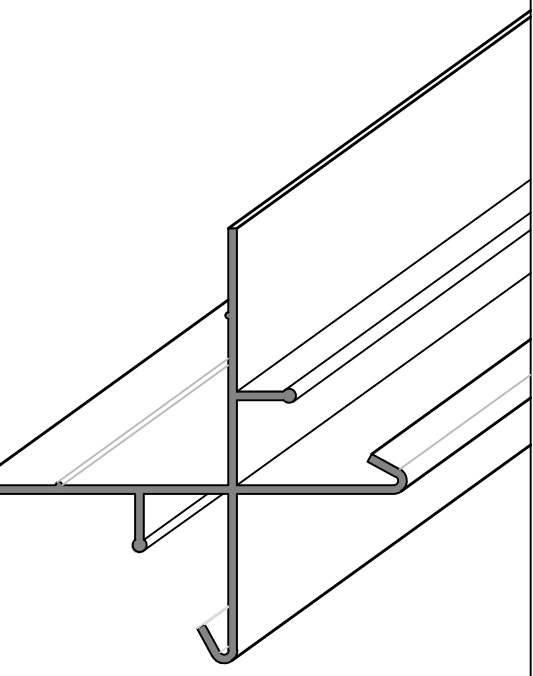
10L x 1



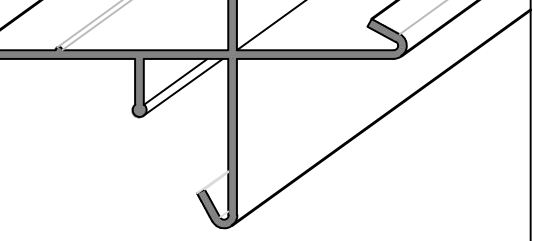
10R x 1



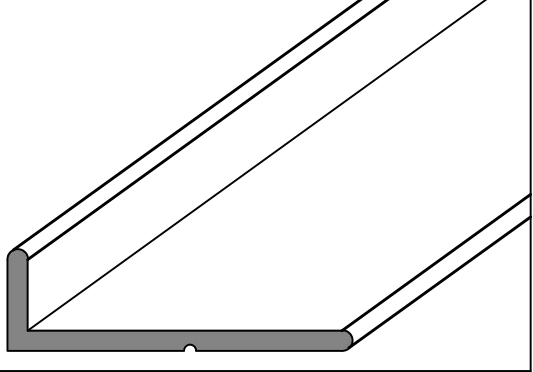
6L x 1



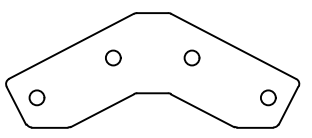
6R x 1



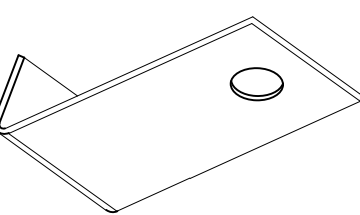
14 x 1



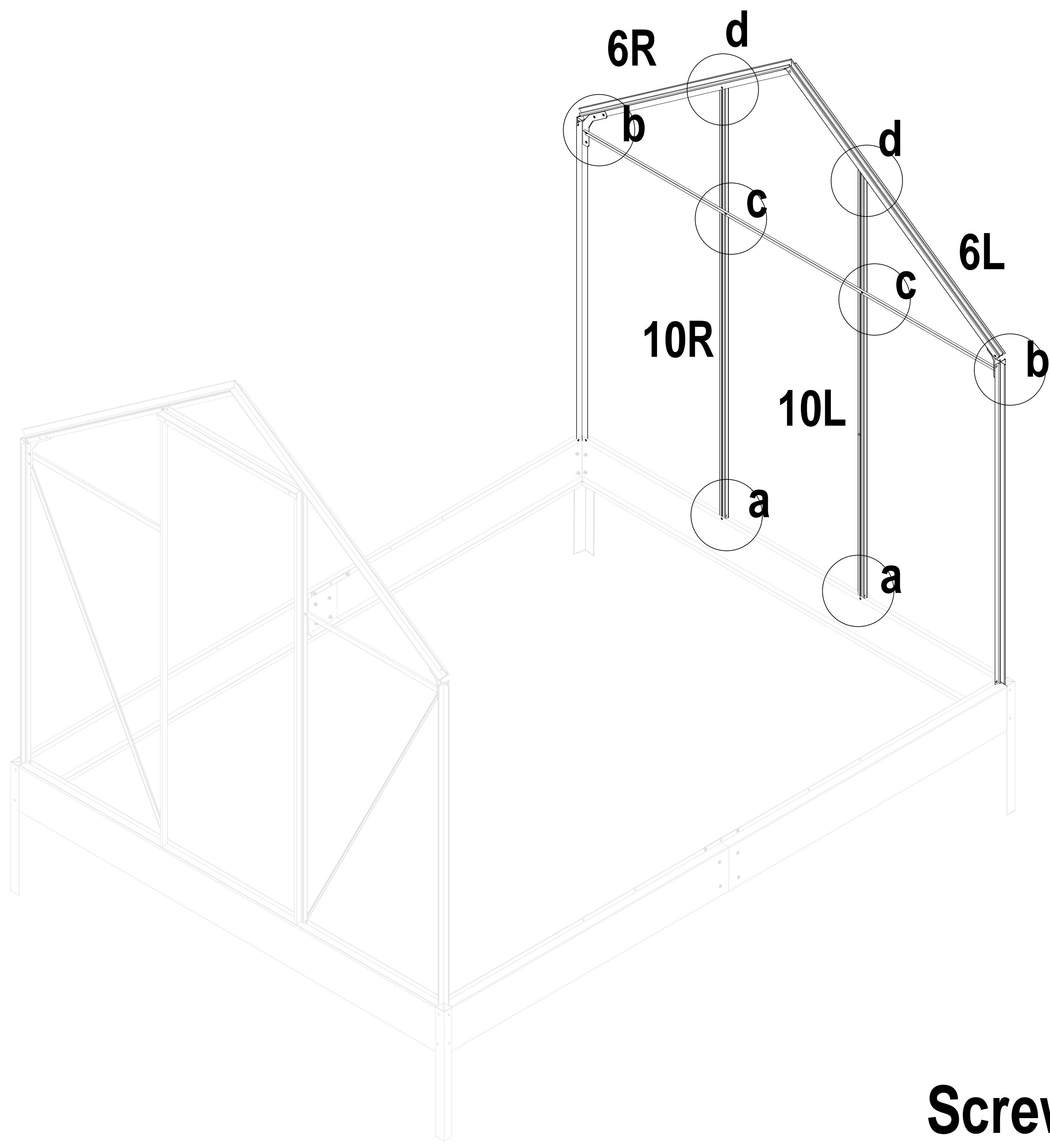
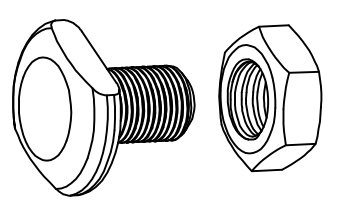
B5 x 2



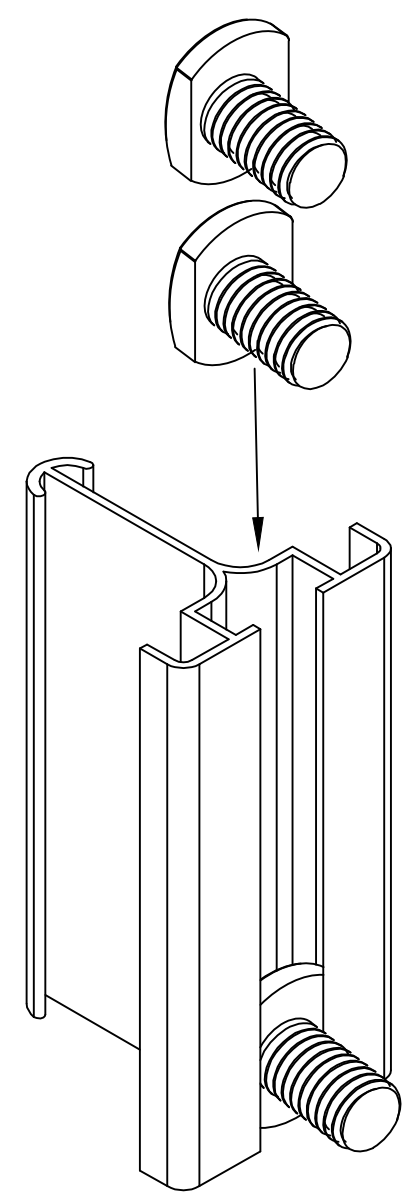
B2 x 2



F4 x 14

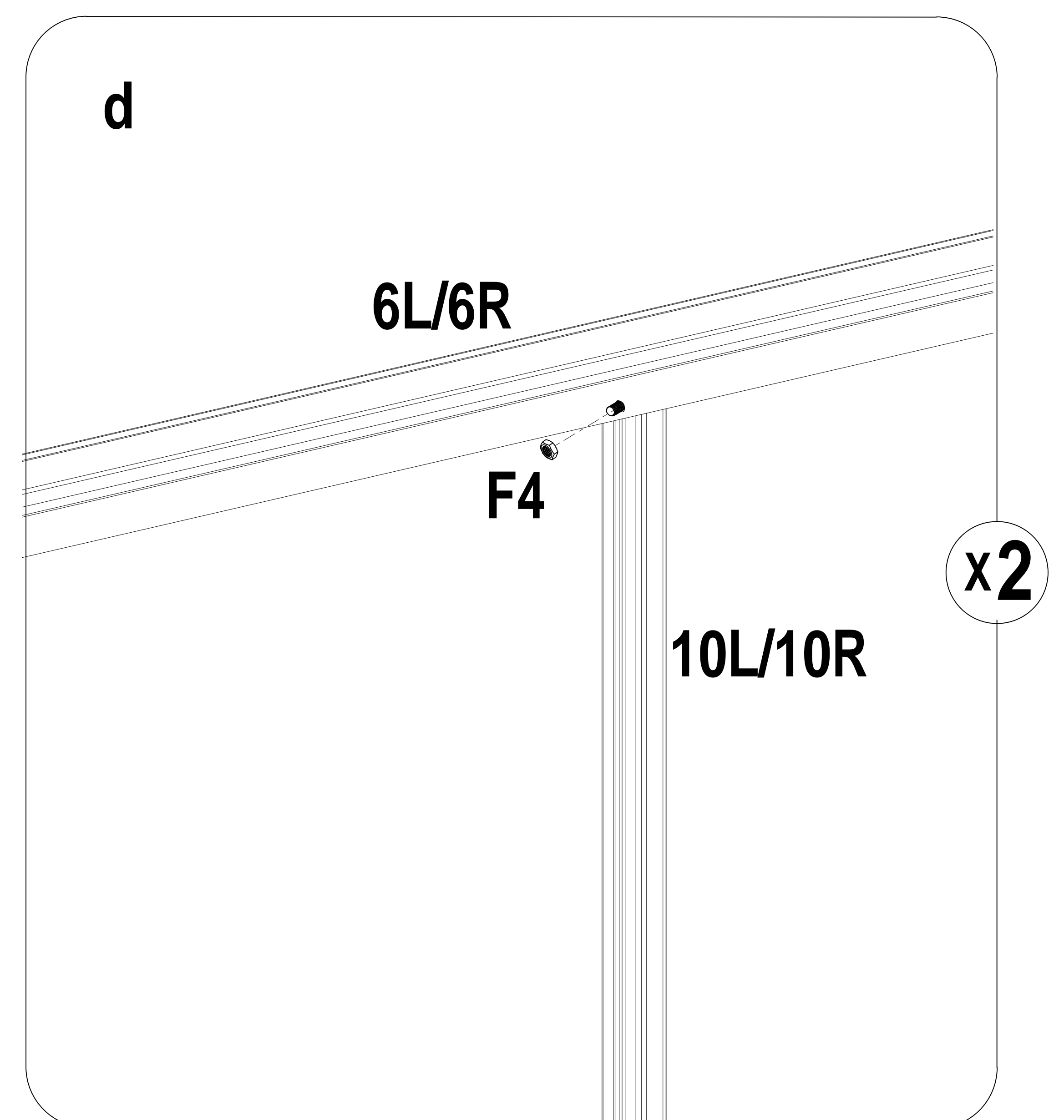
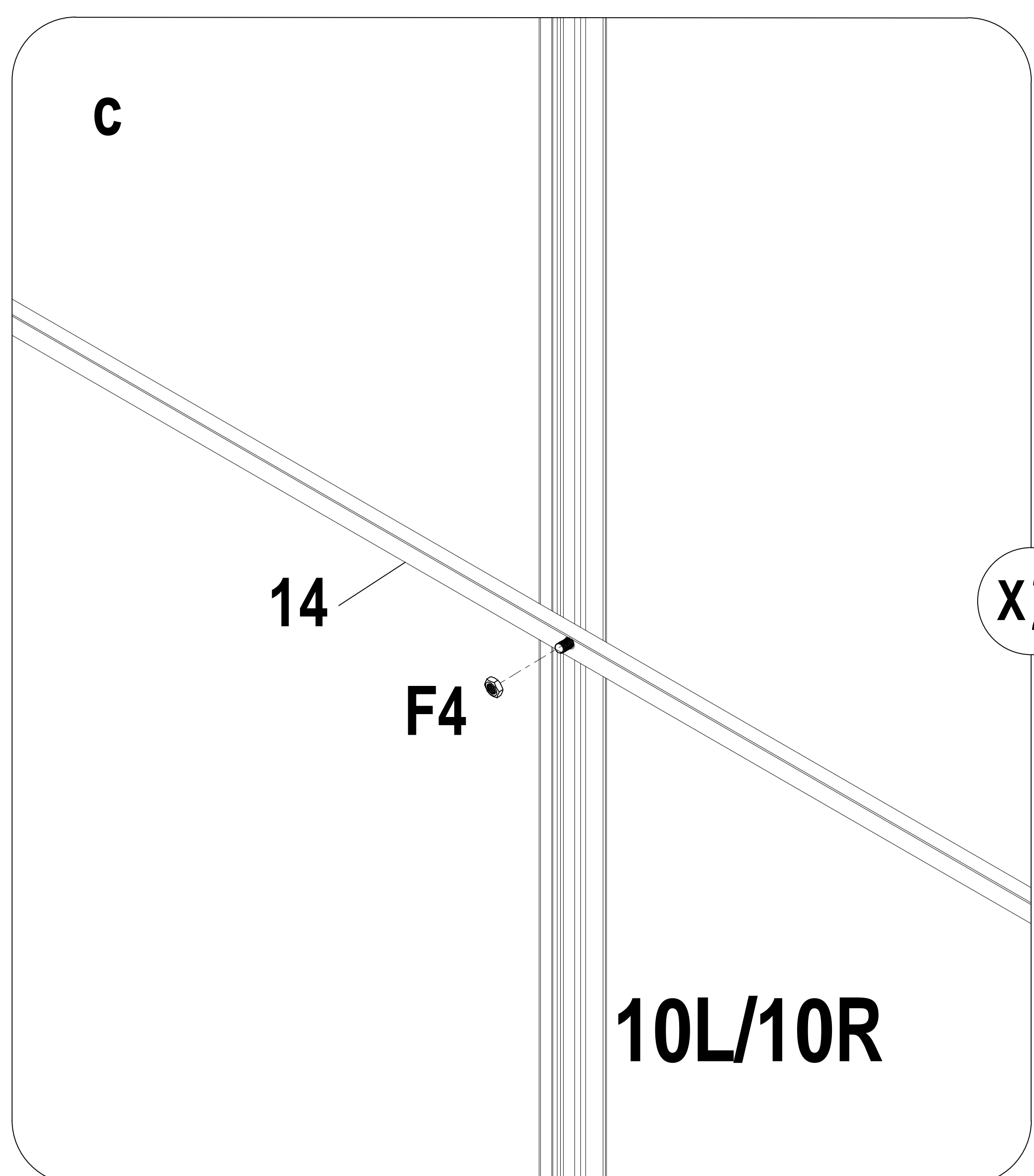
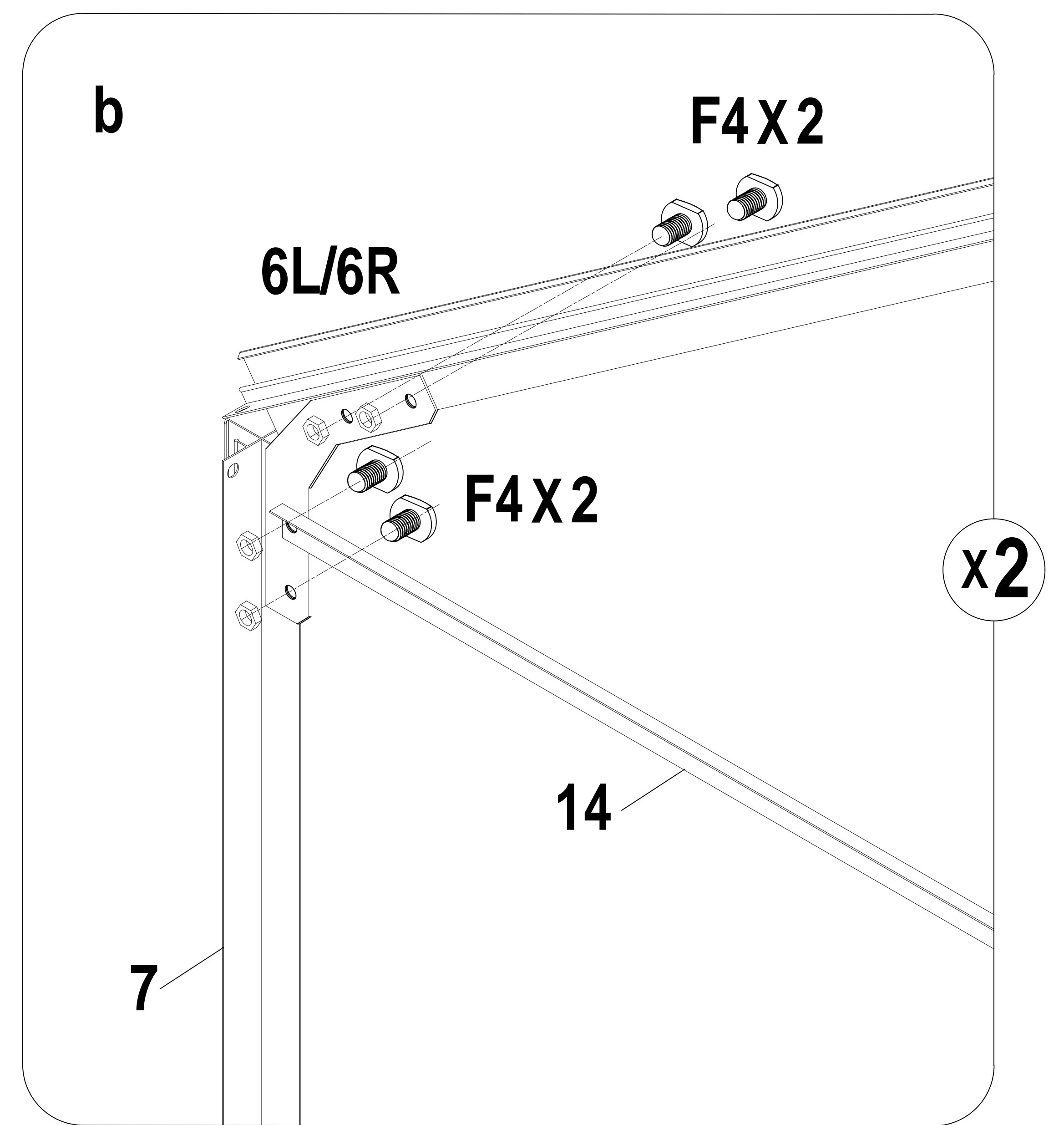
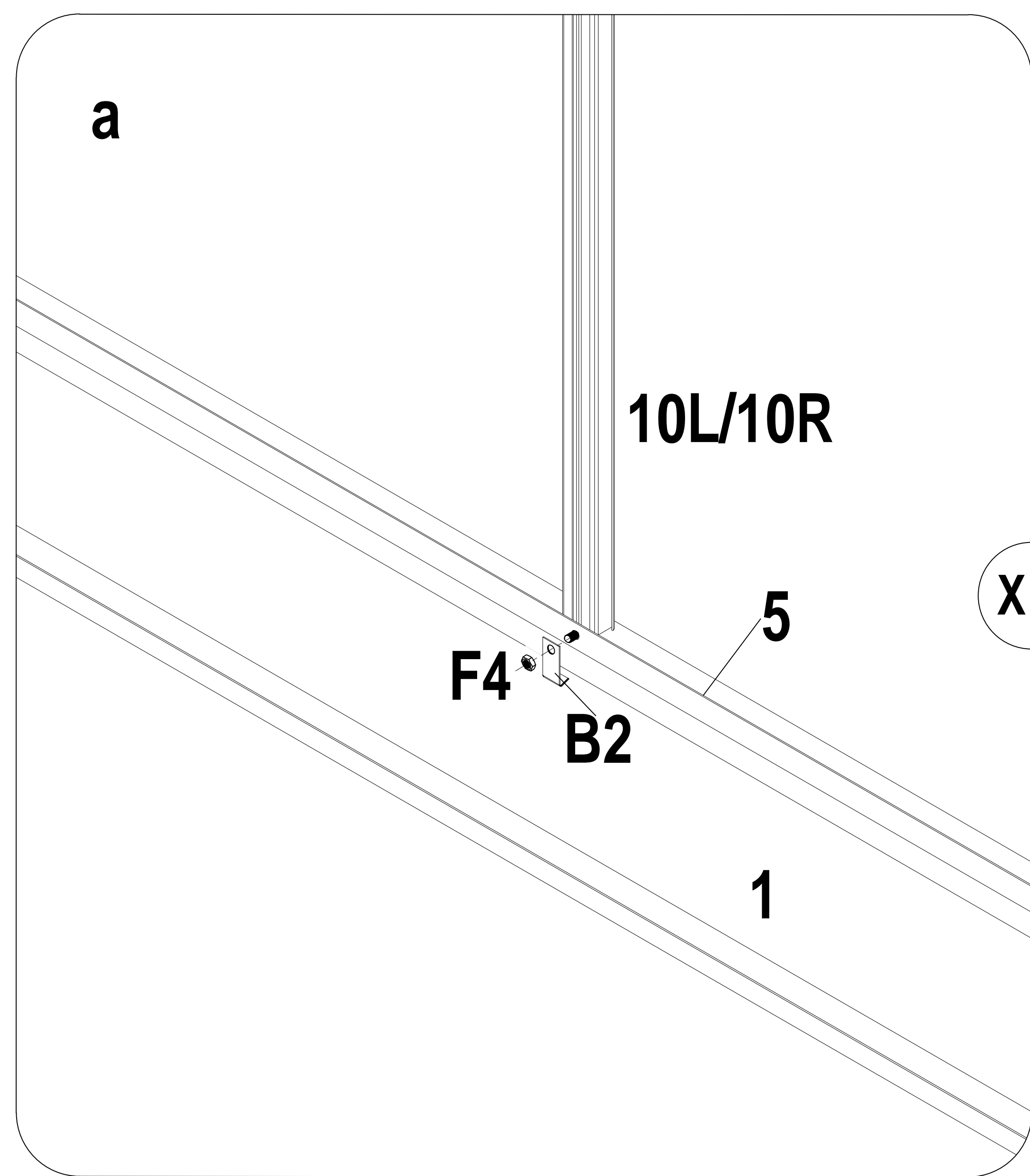


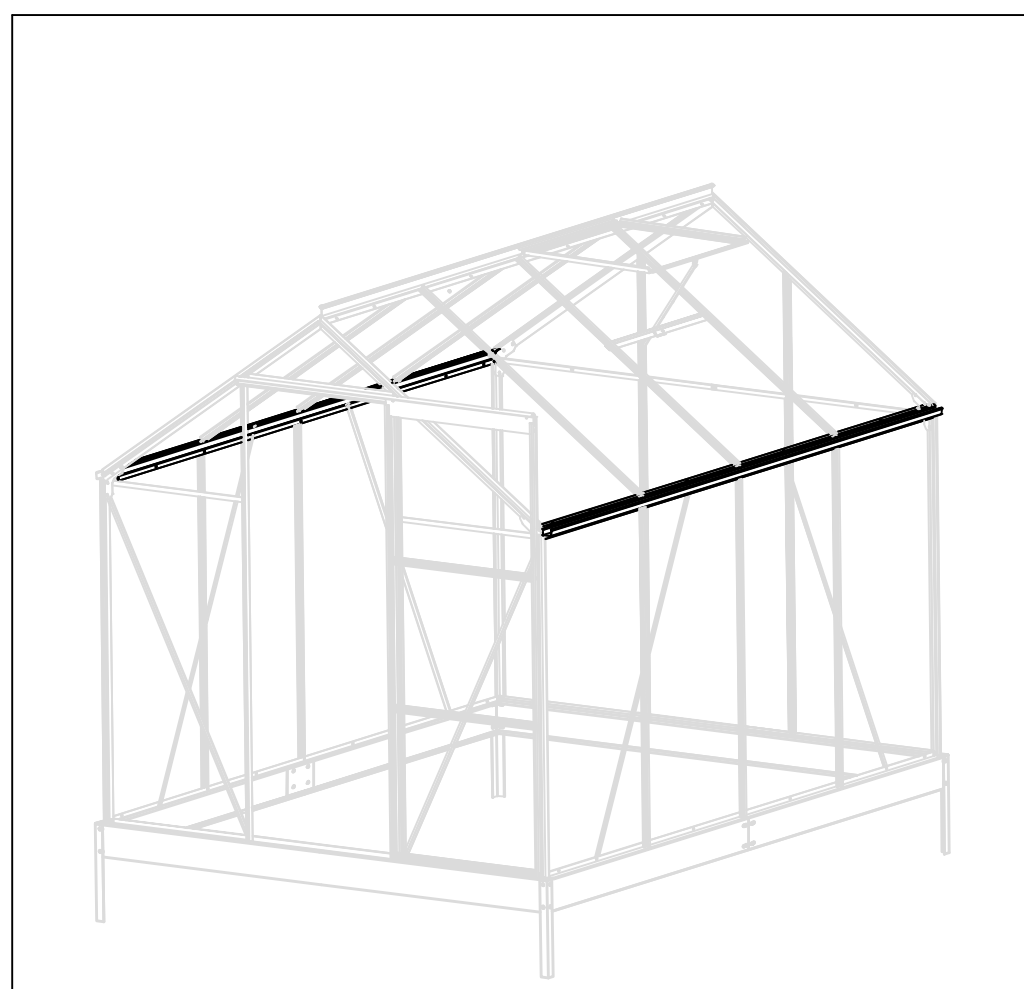
F4 X 3



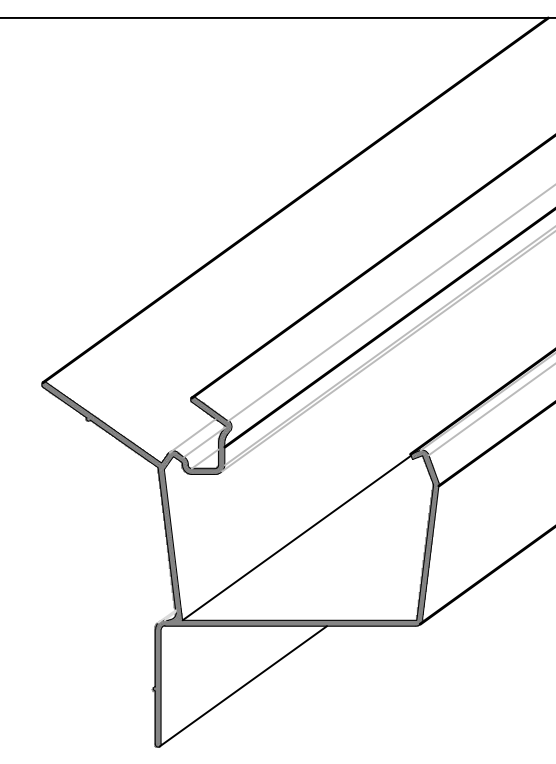
10L/10R

Screw usage

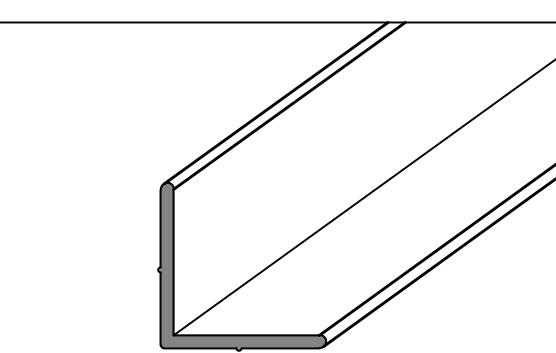




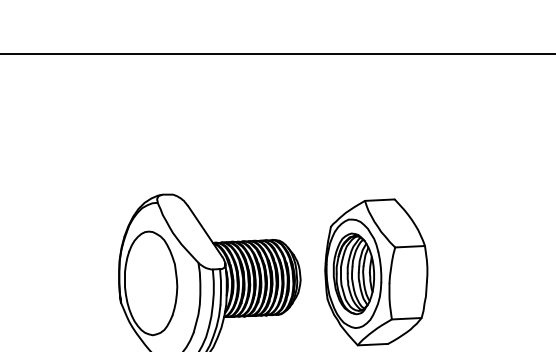
8Lx2



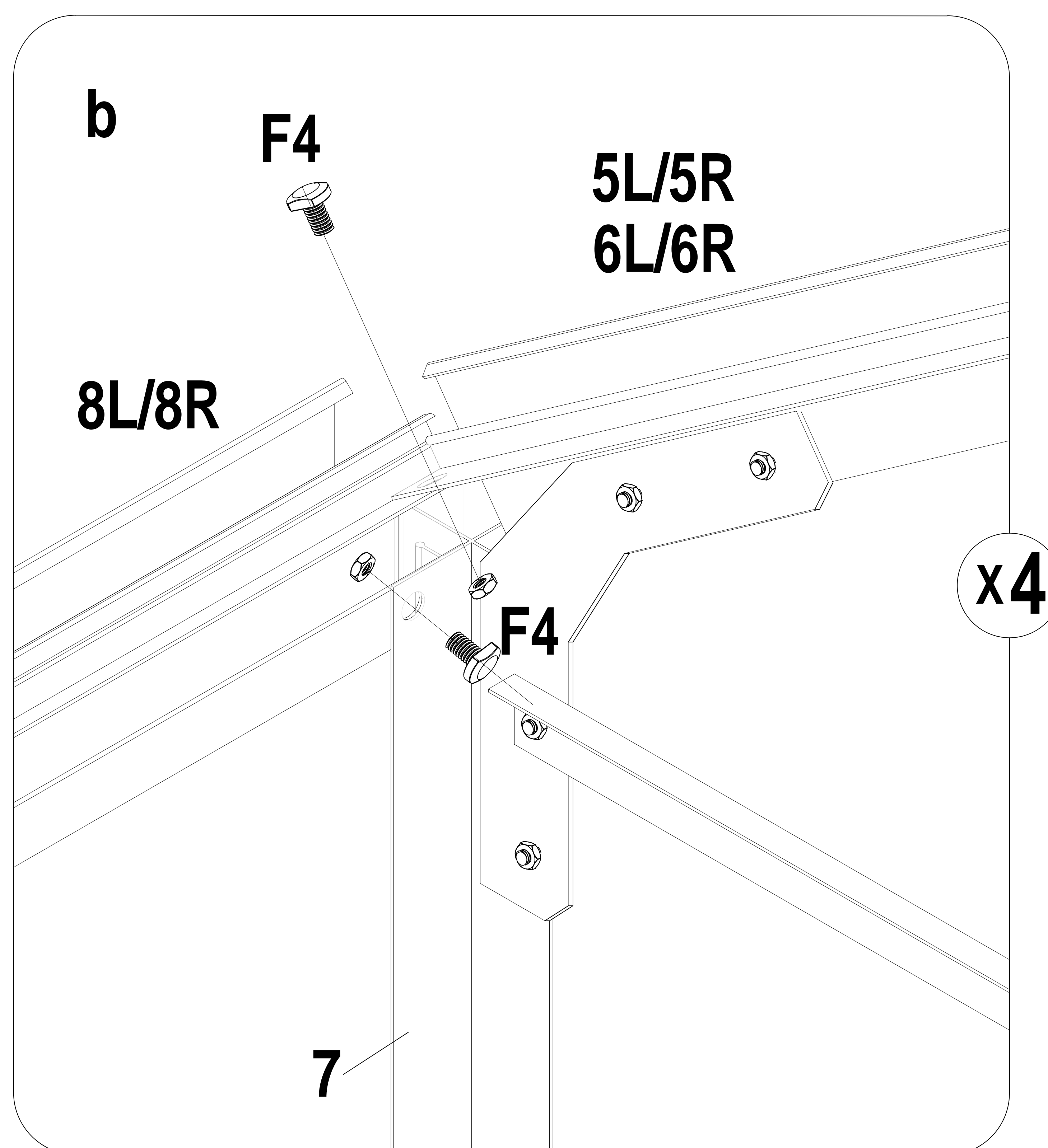
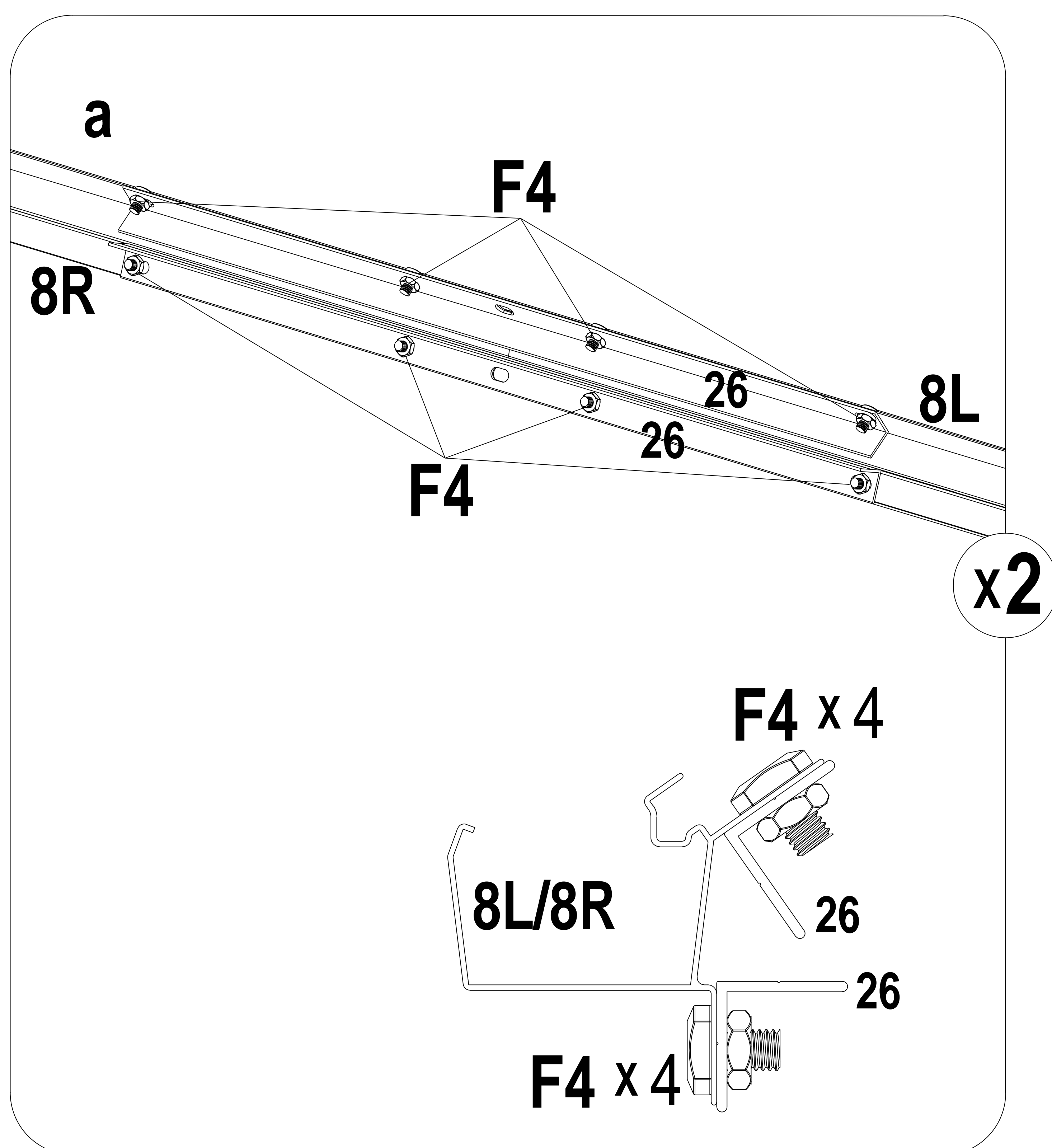
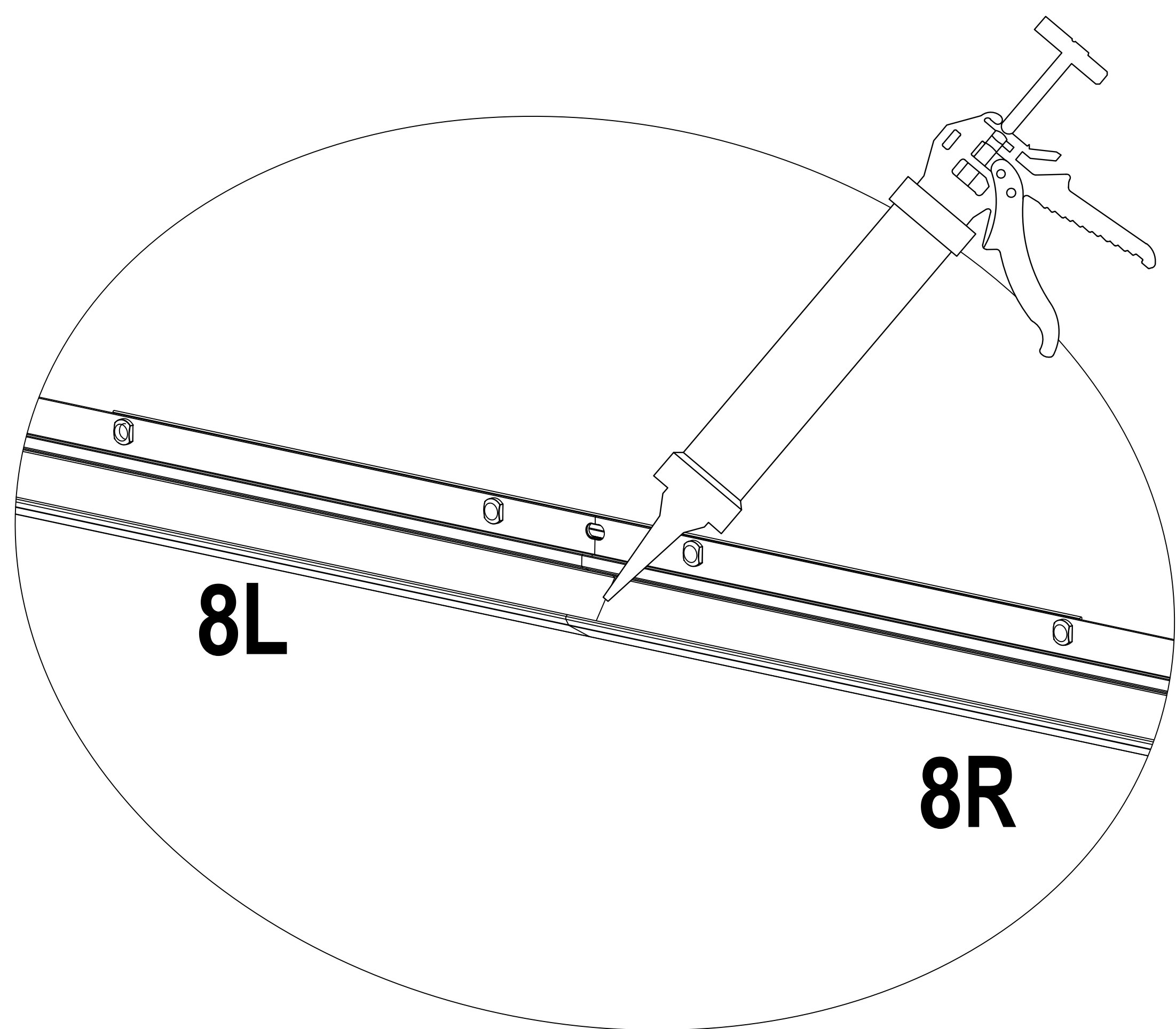
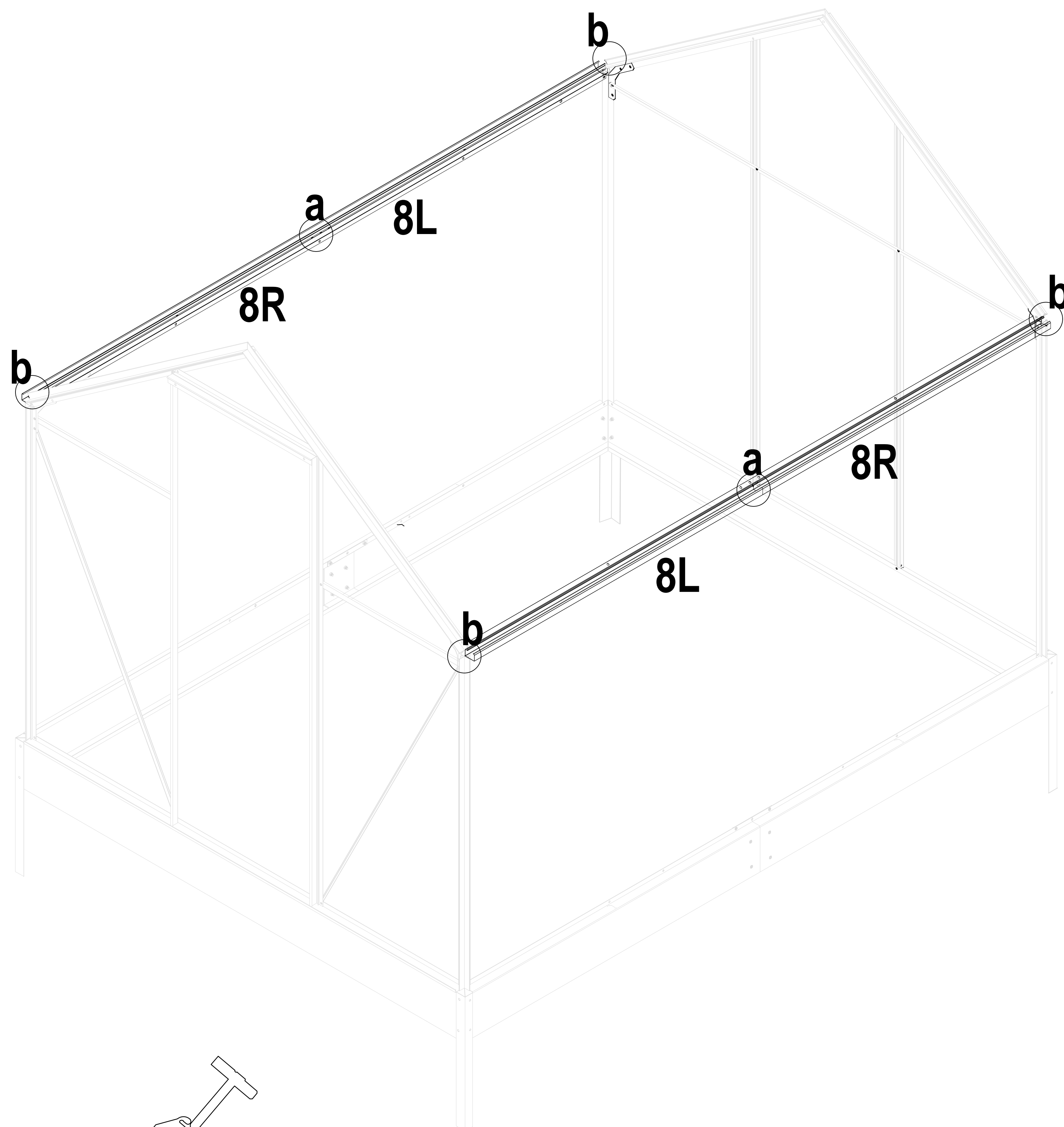
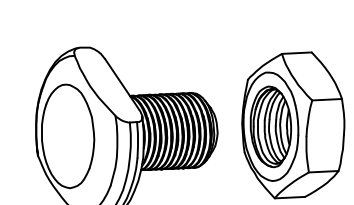
8Rx2

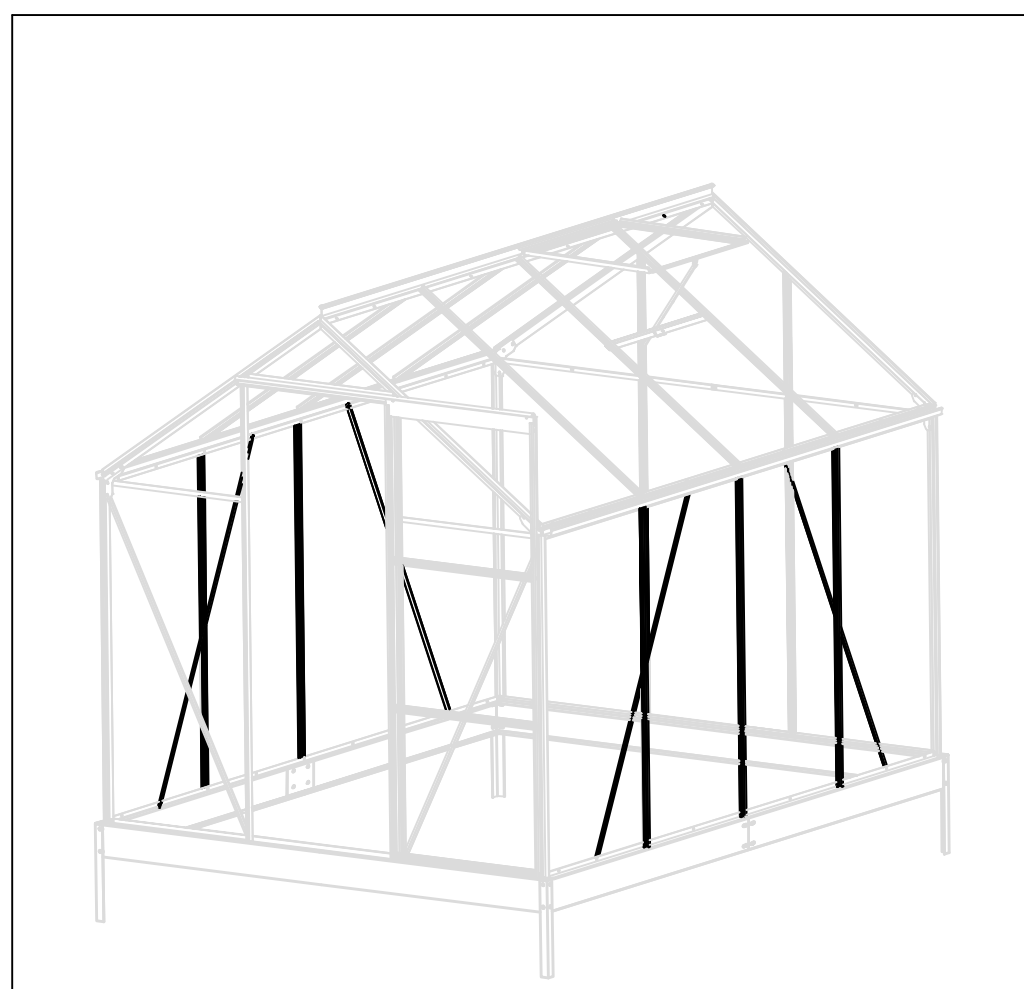


26 x 4

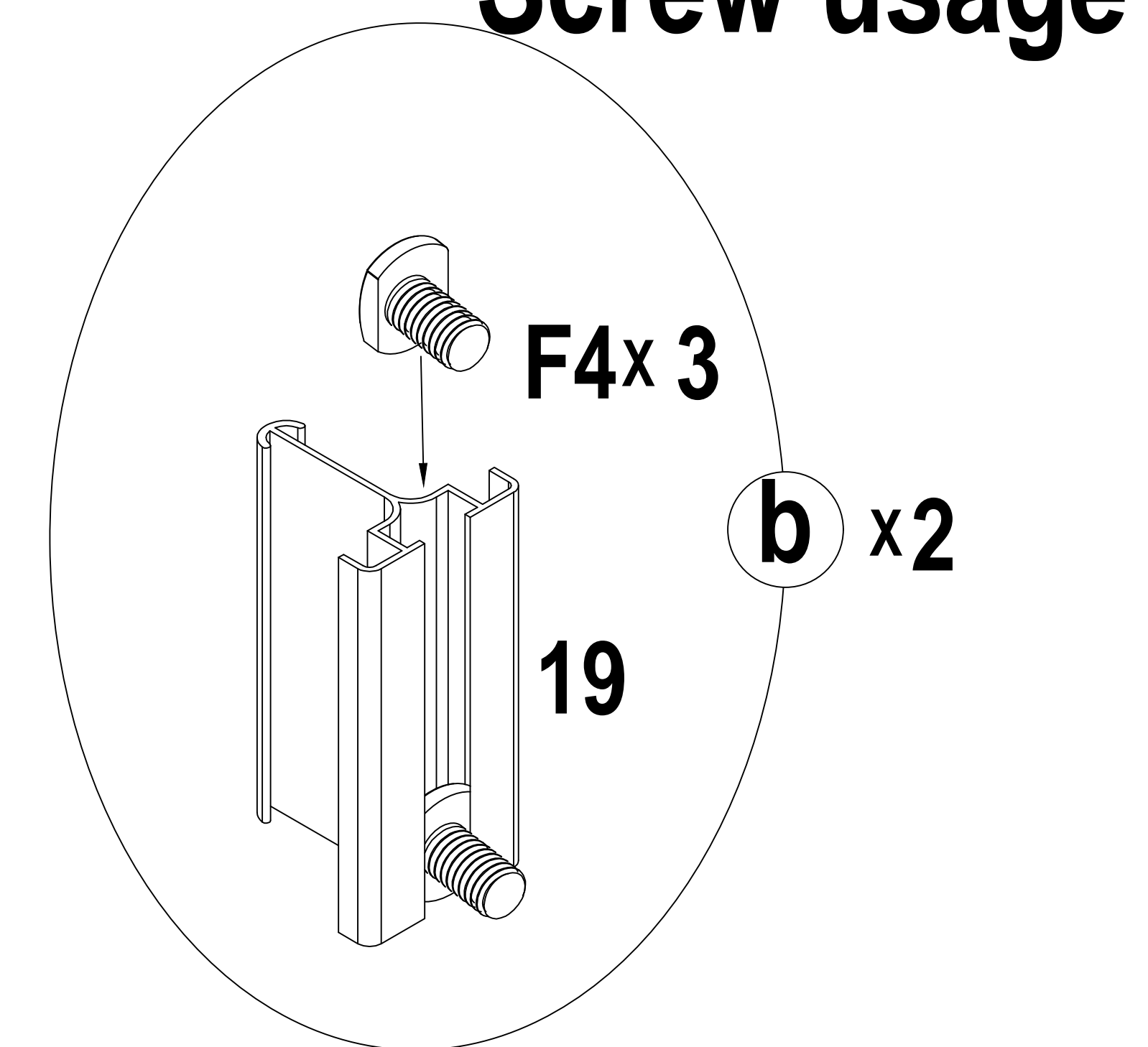
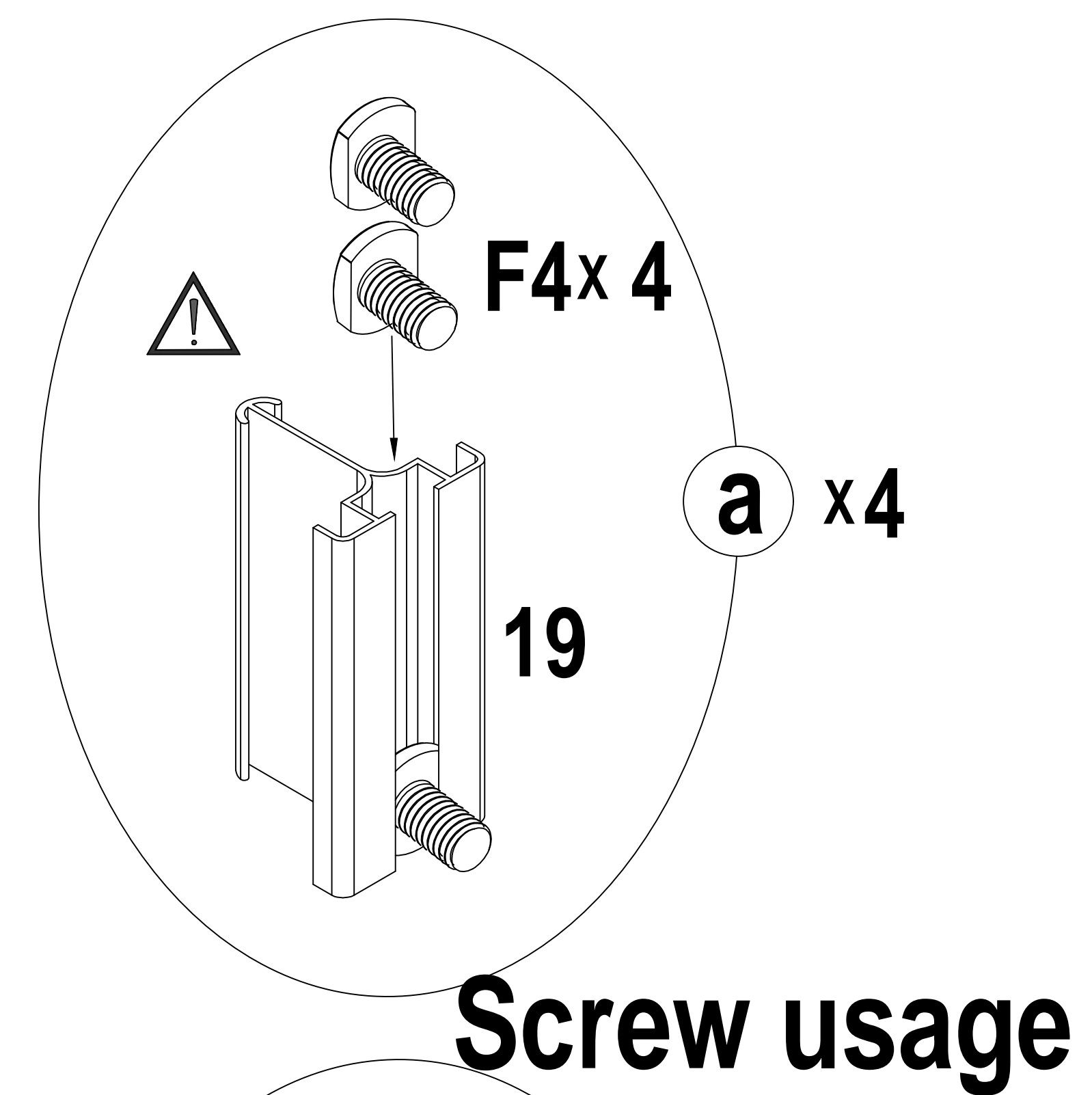
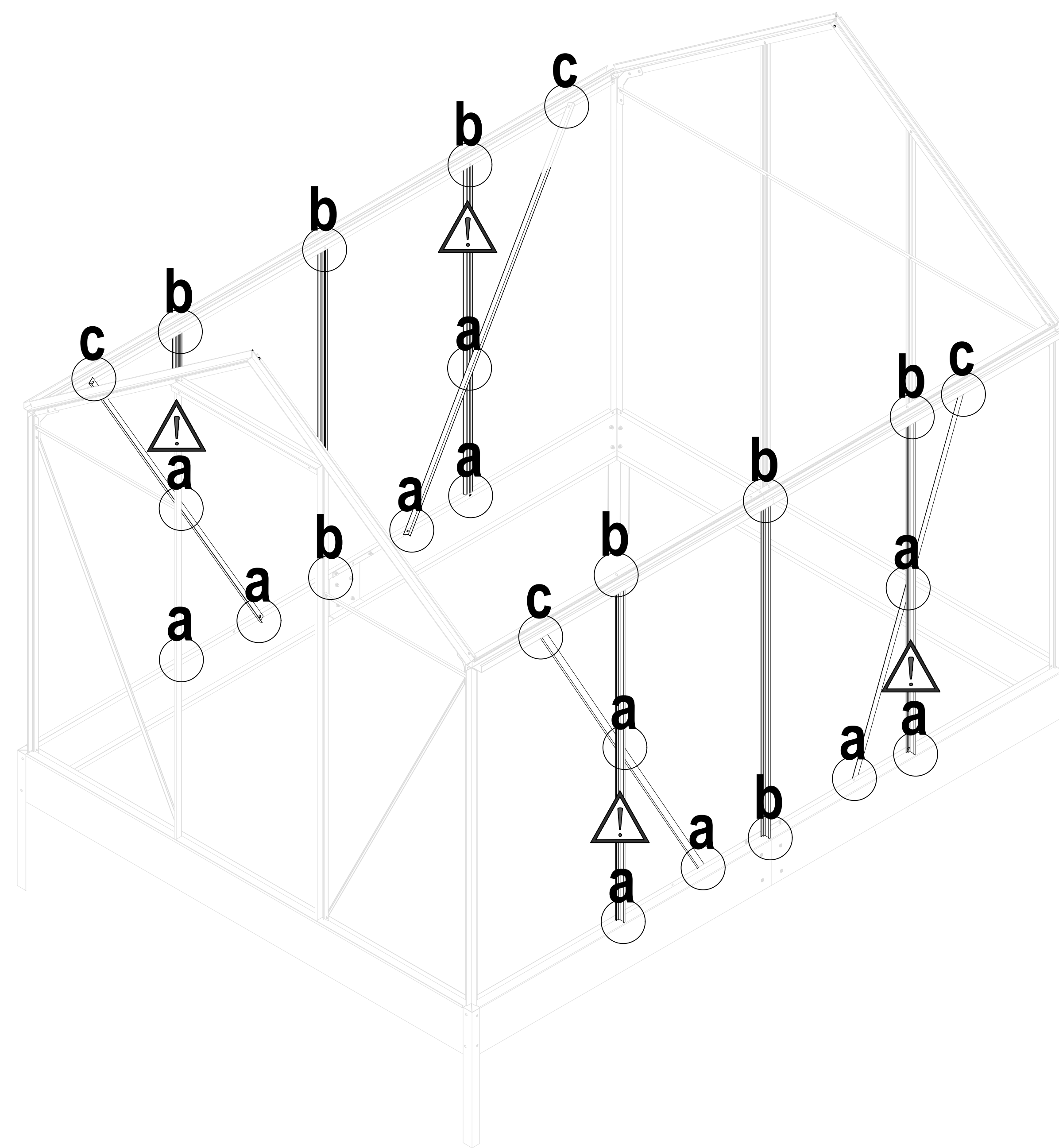


F4x 24

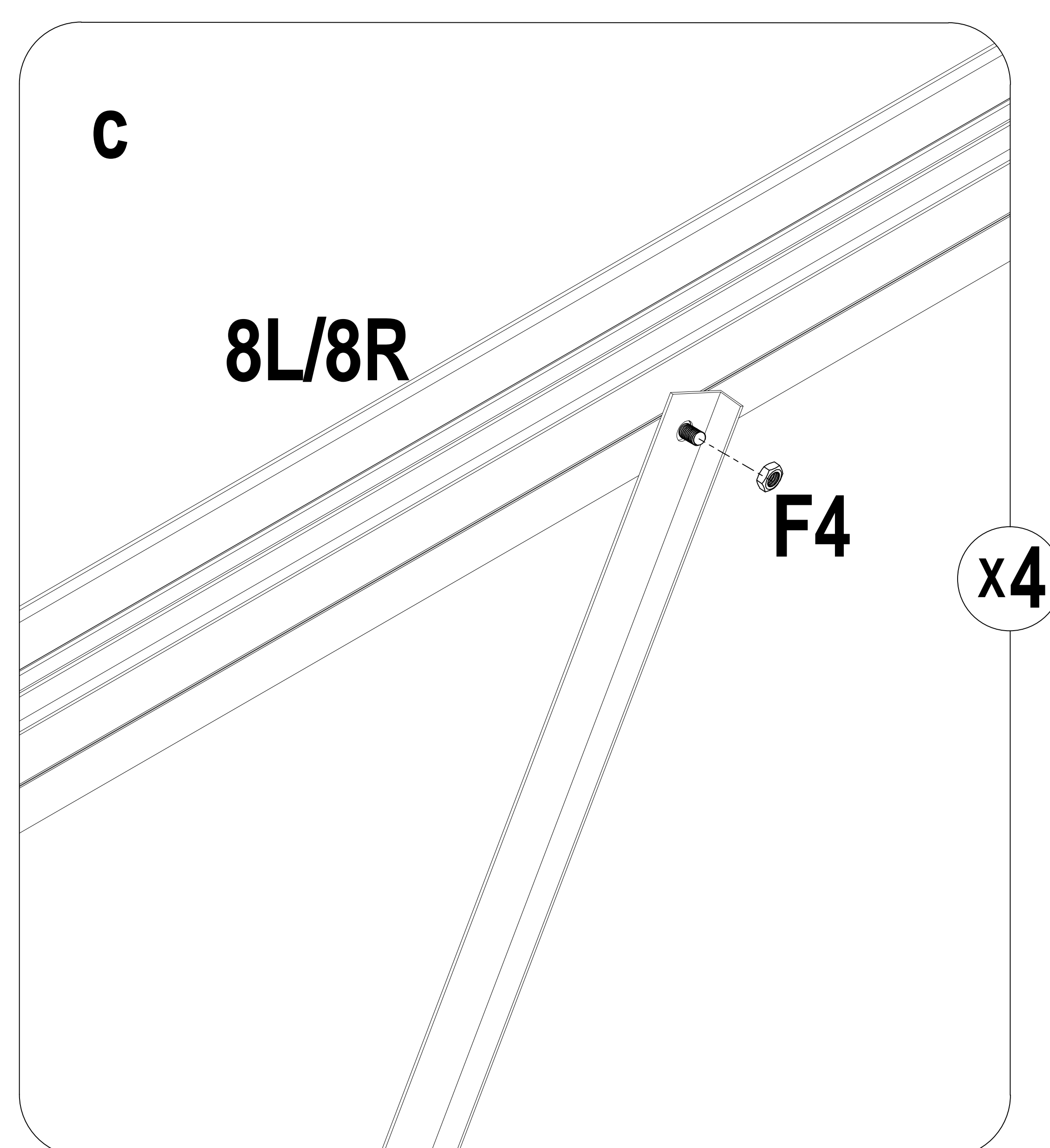
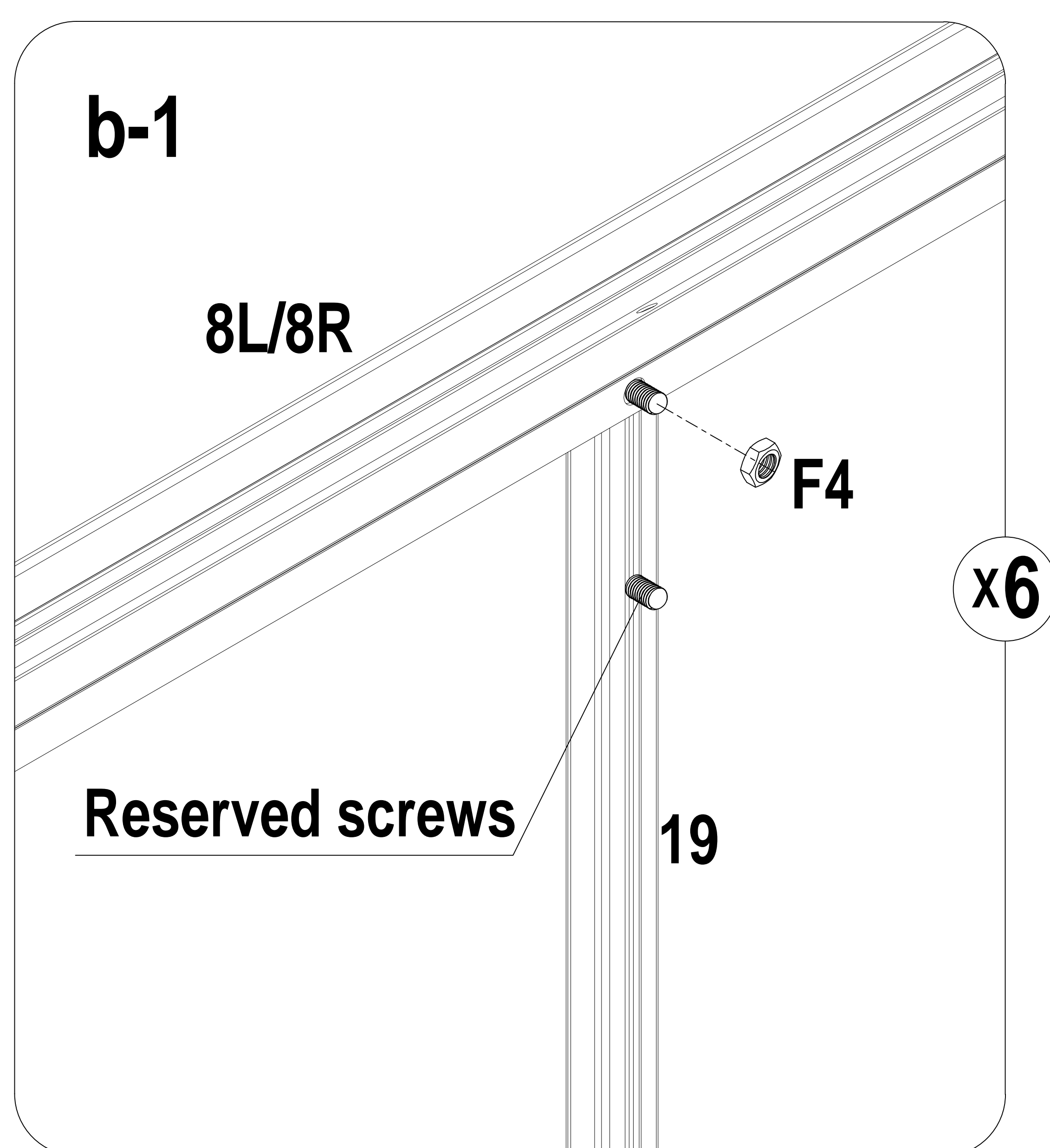
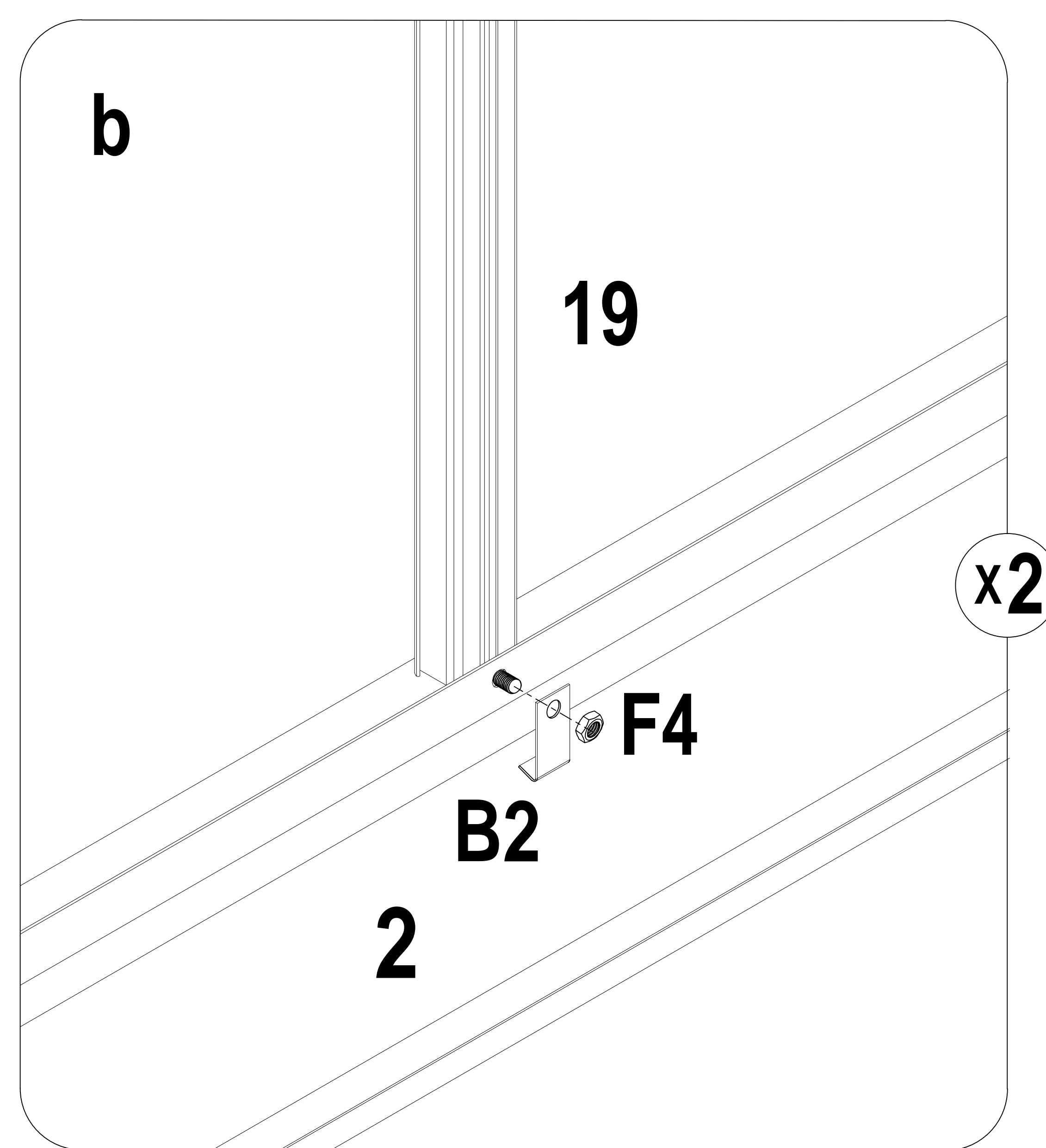
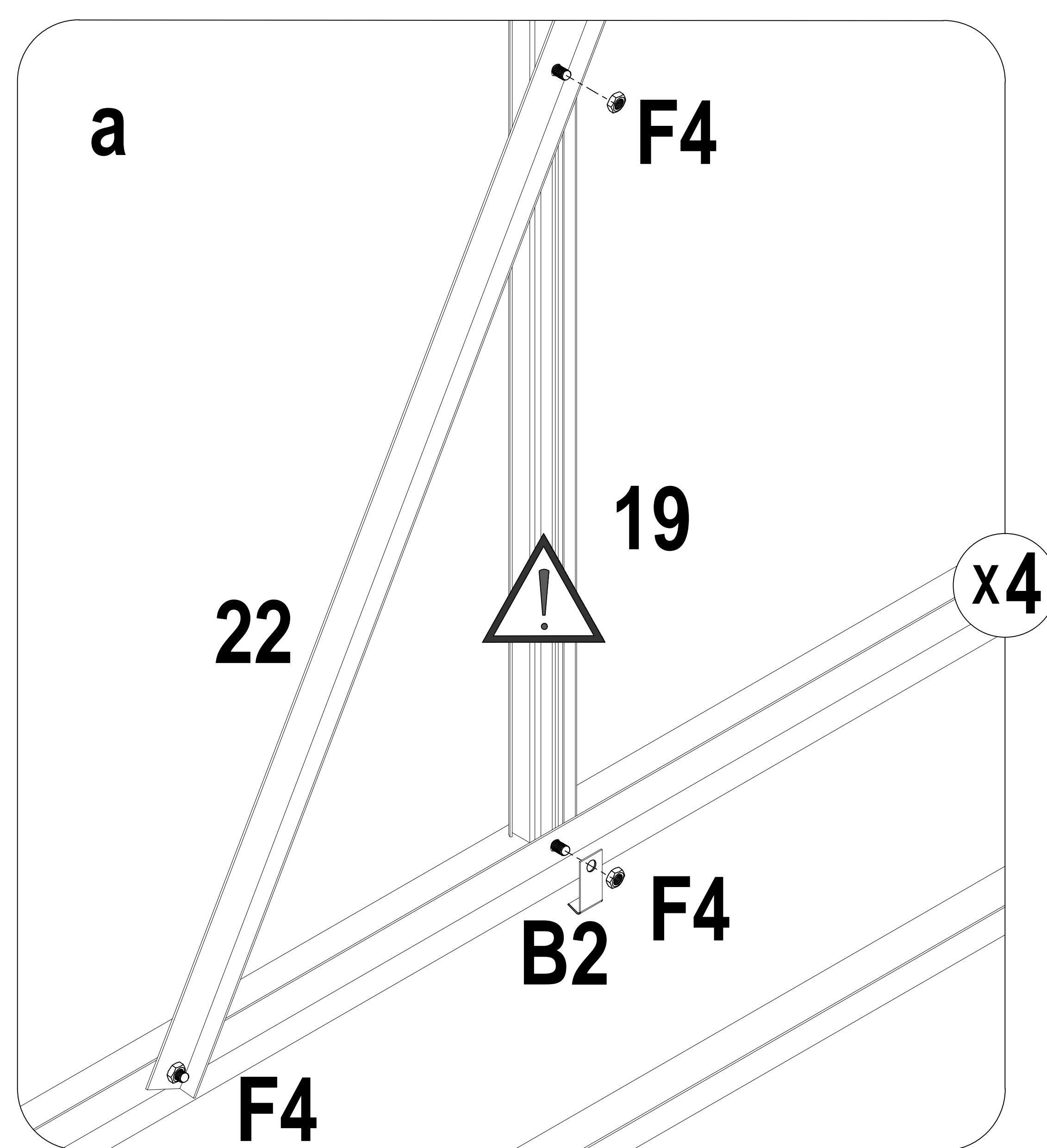


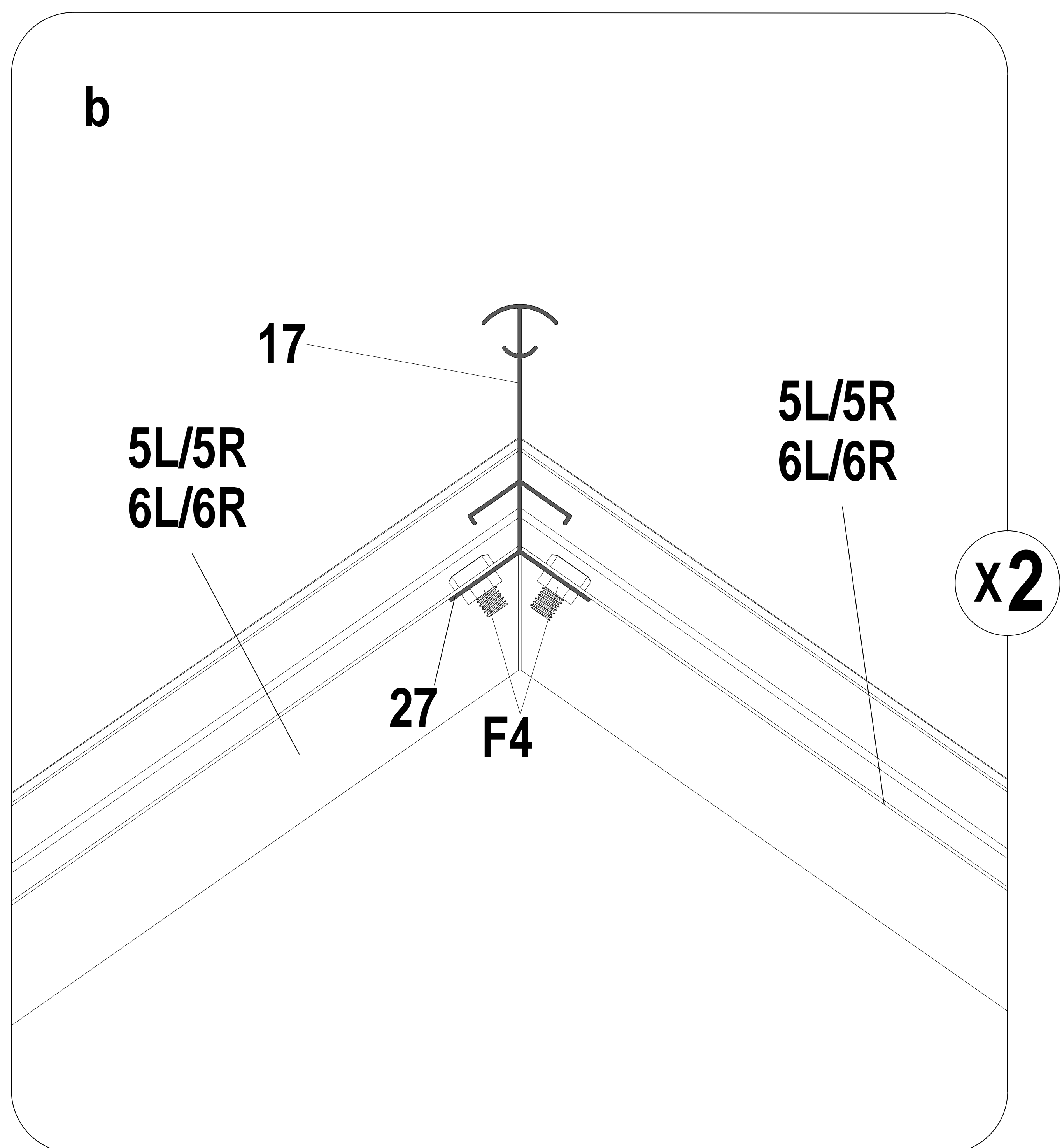
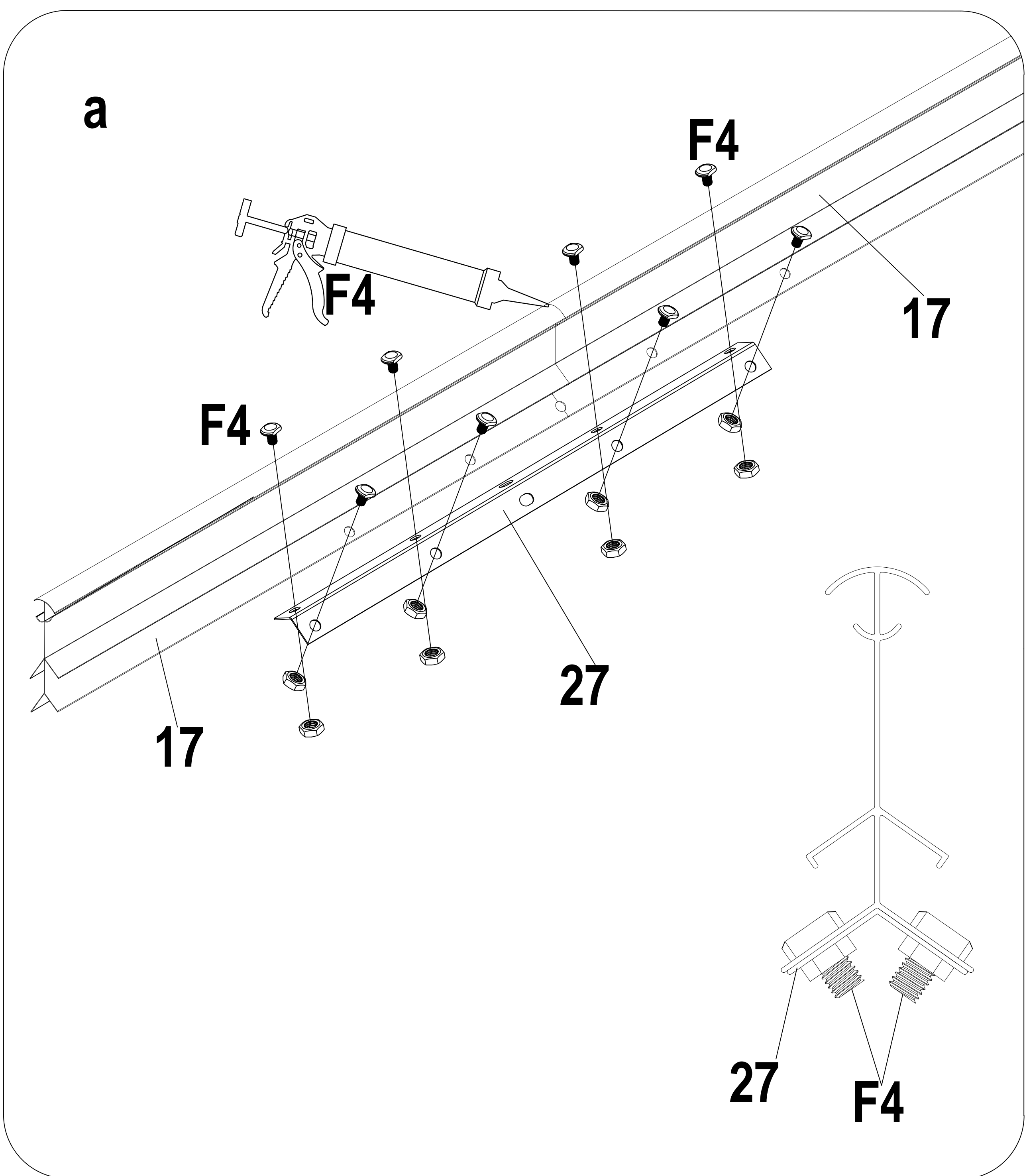
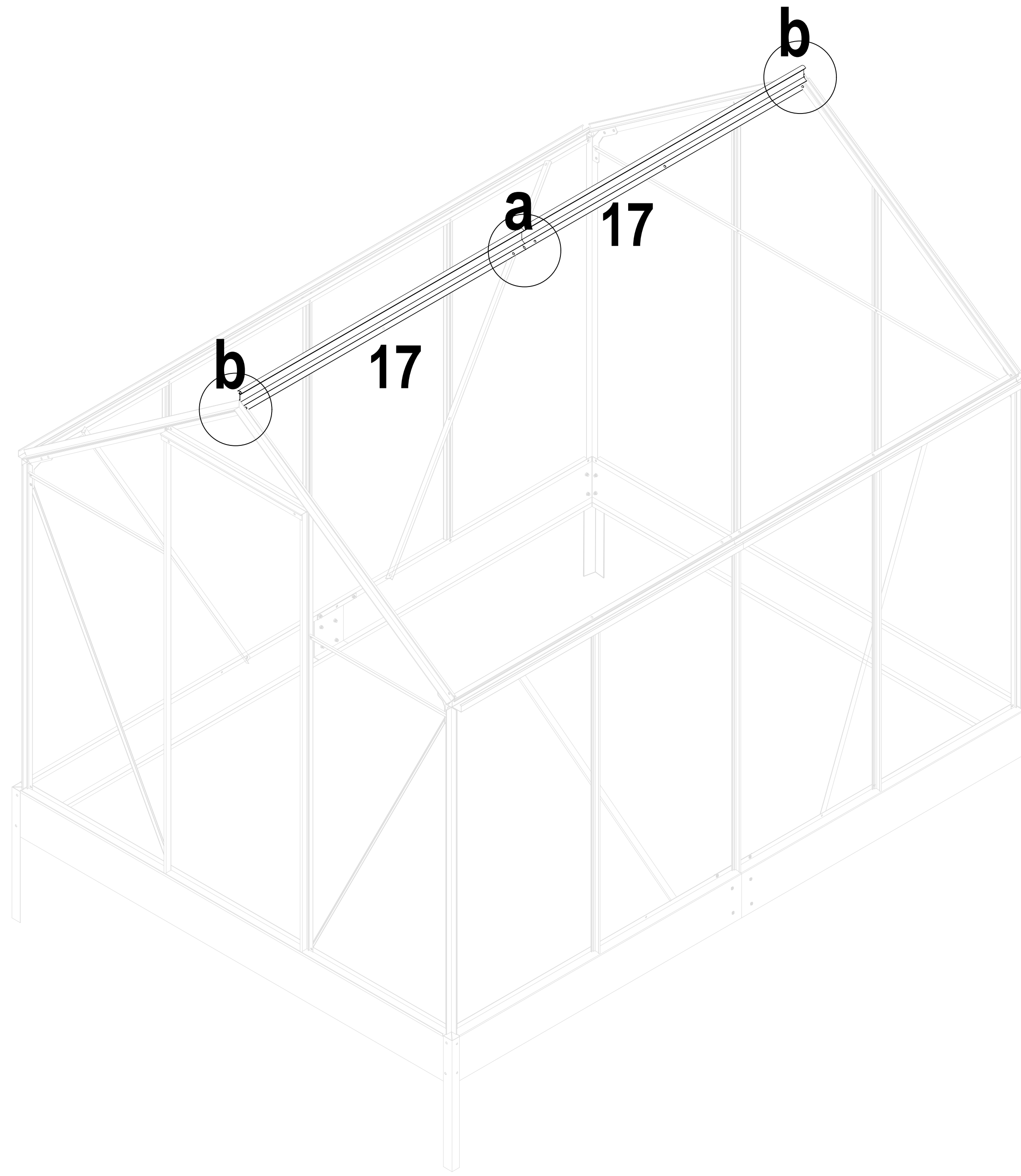
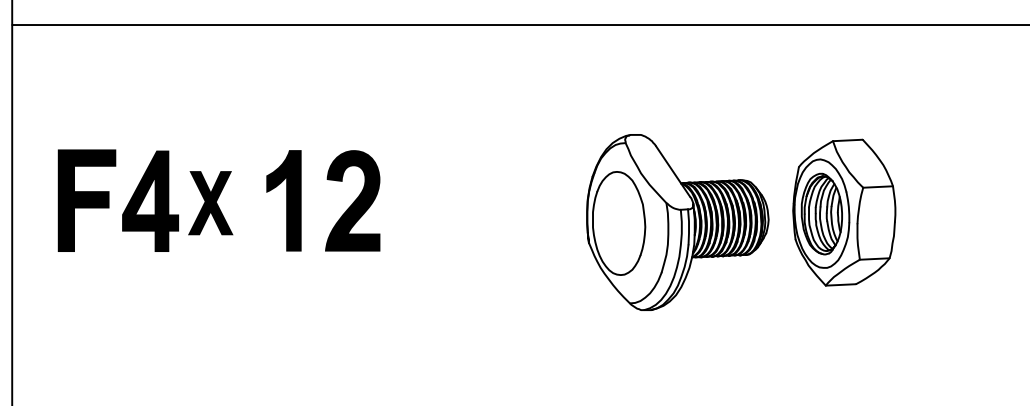
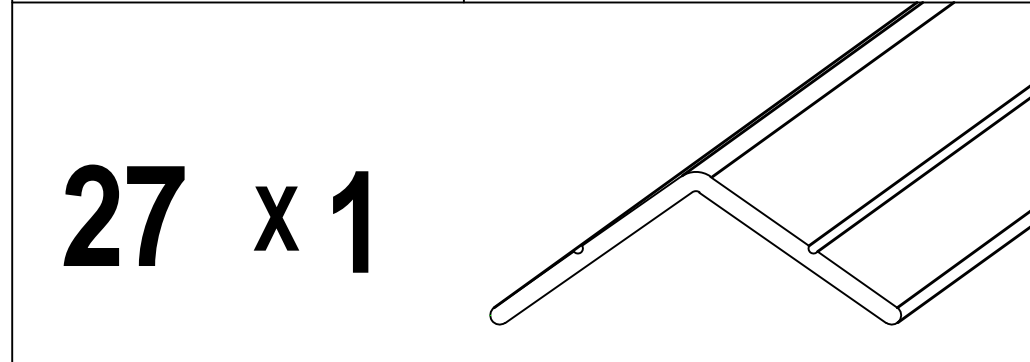
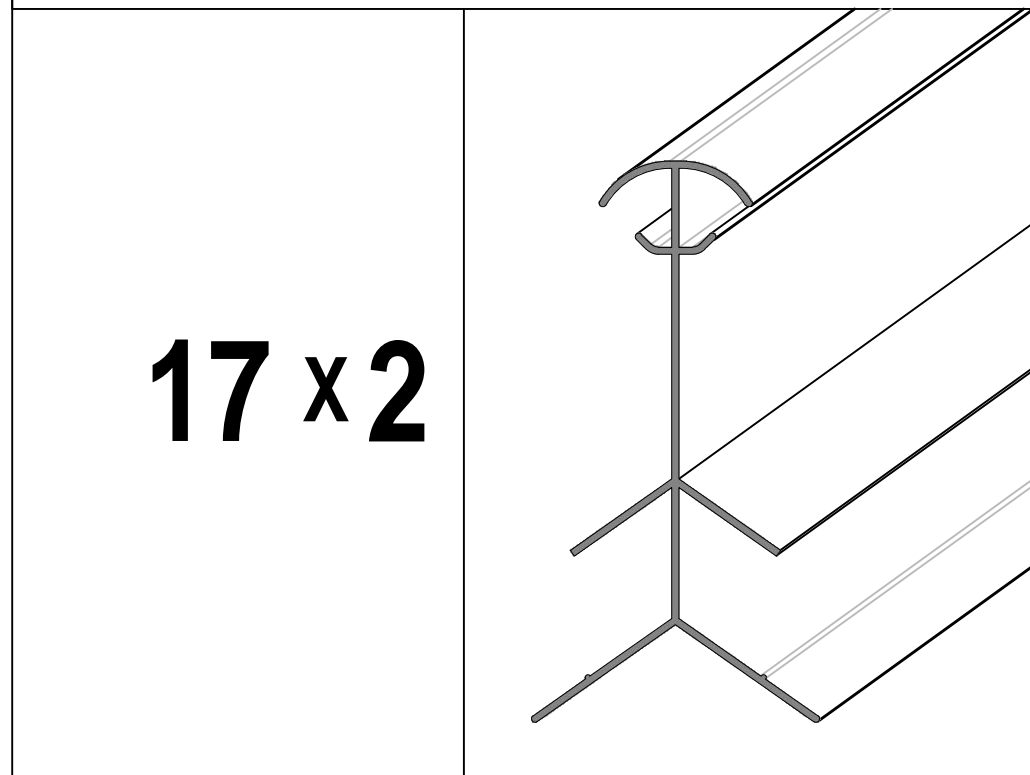
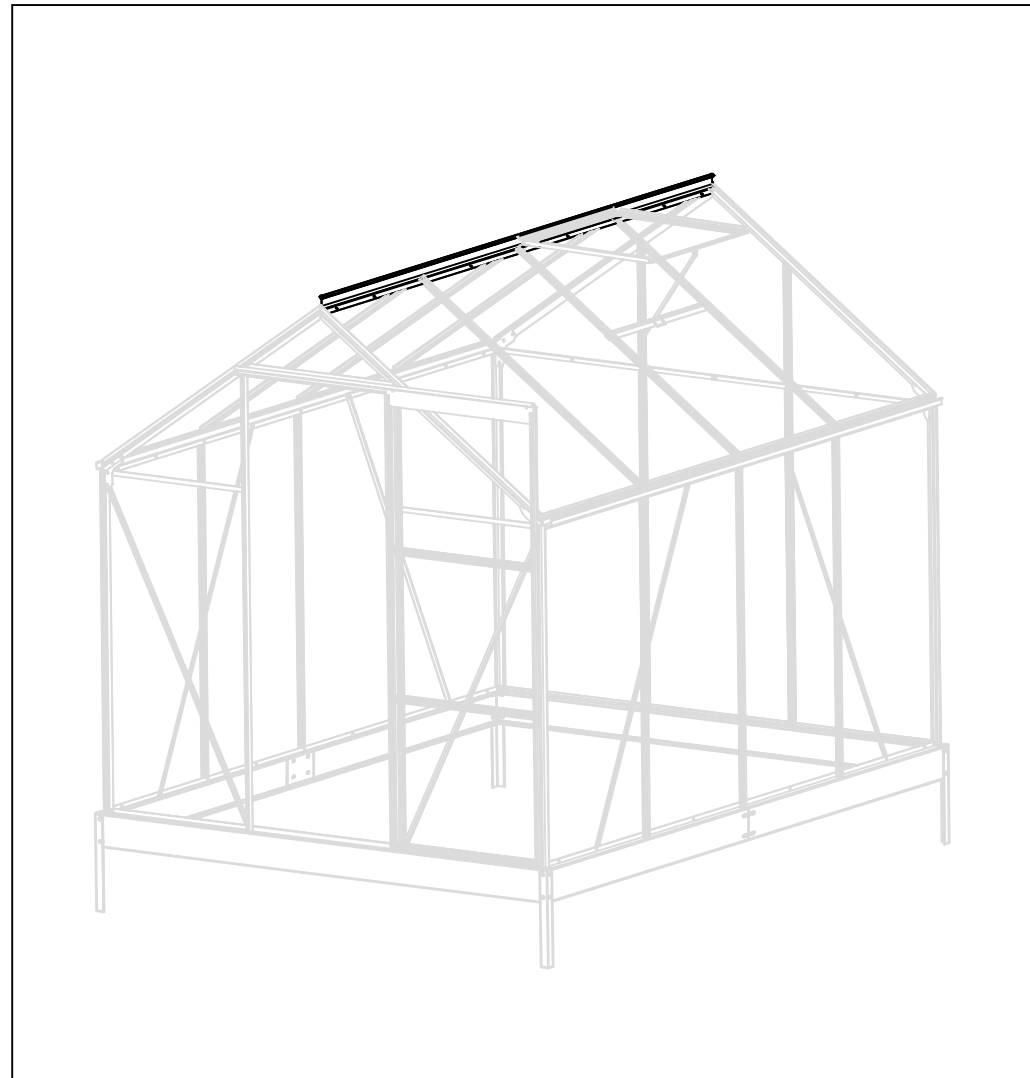


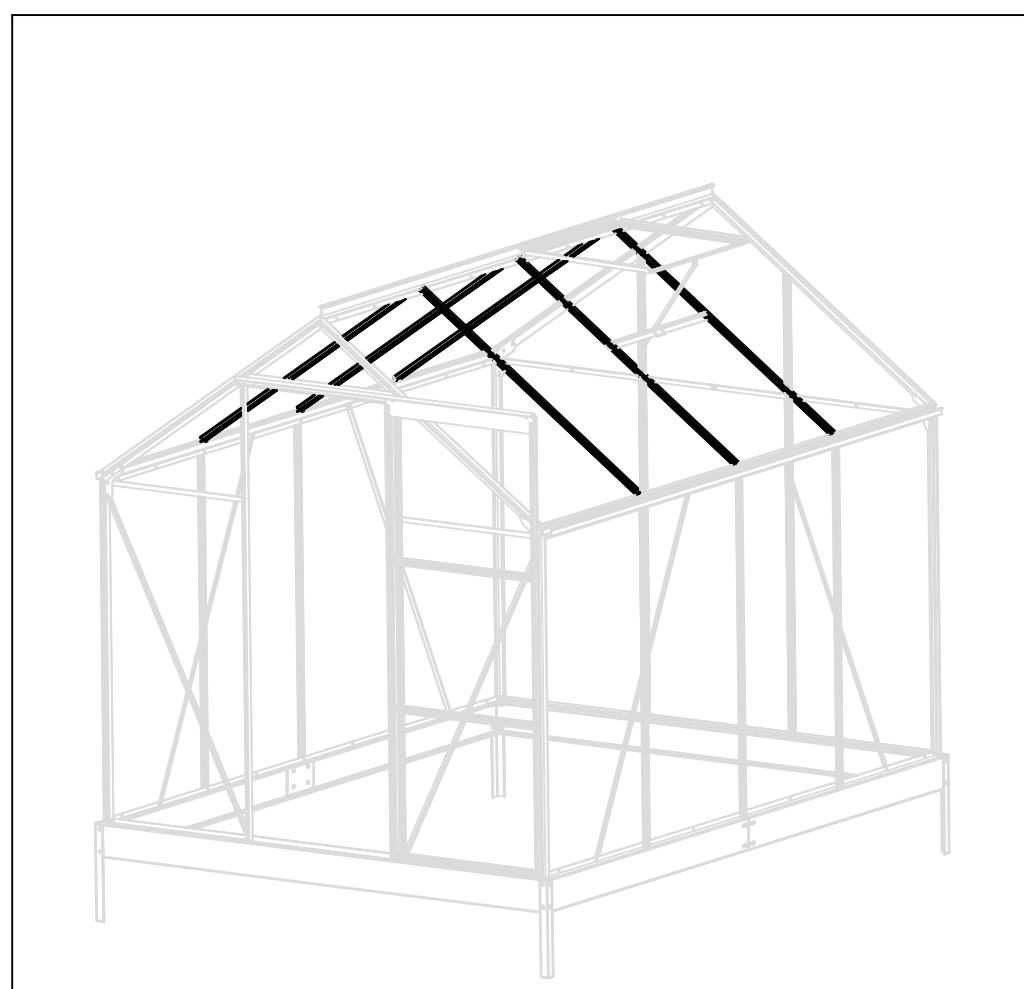
19 x 6	
22 x 4	
B2 x 6	
F4 x 30	



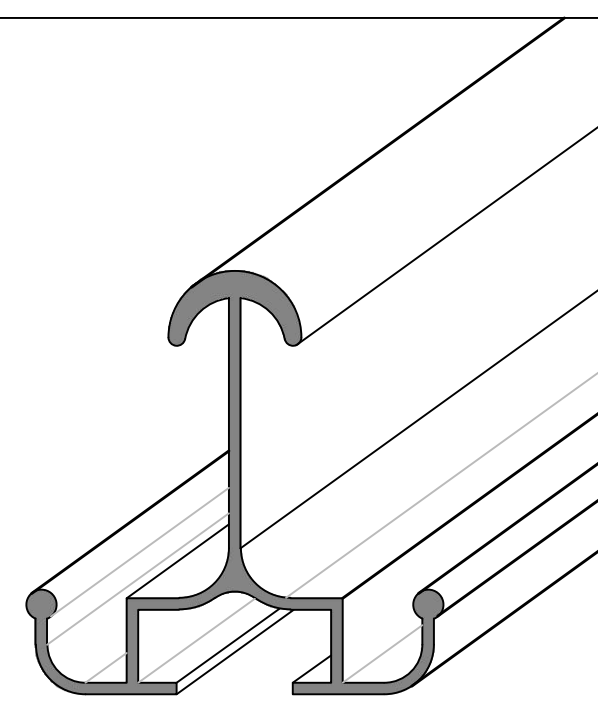
Screw usage



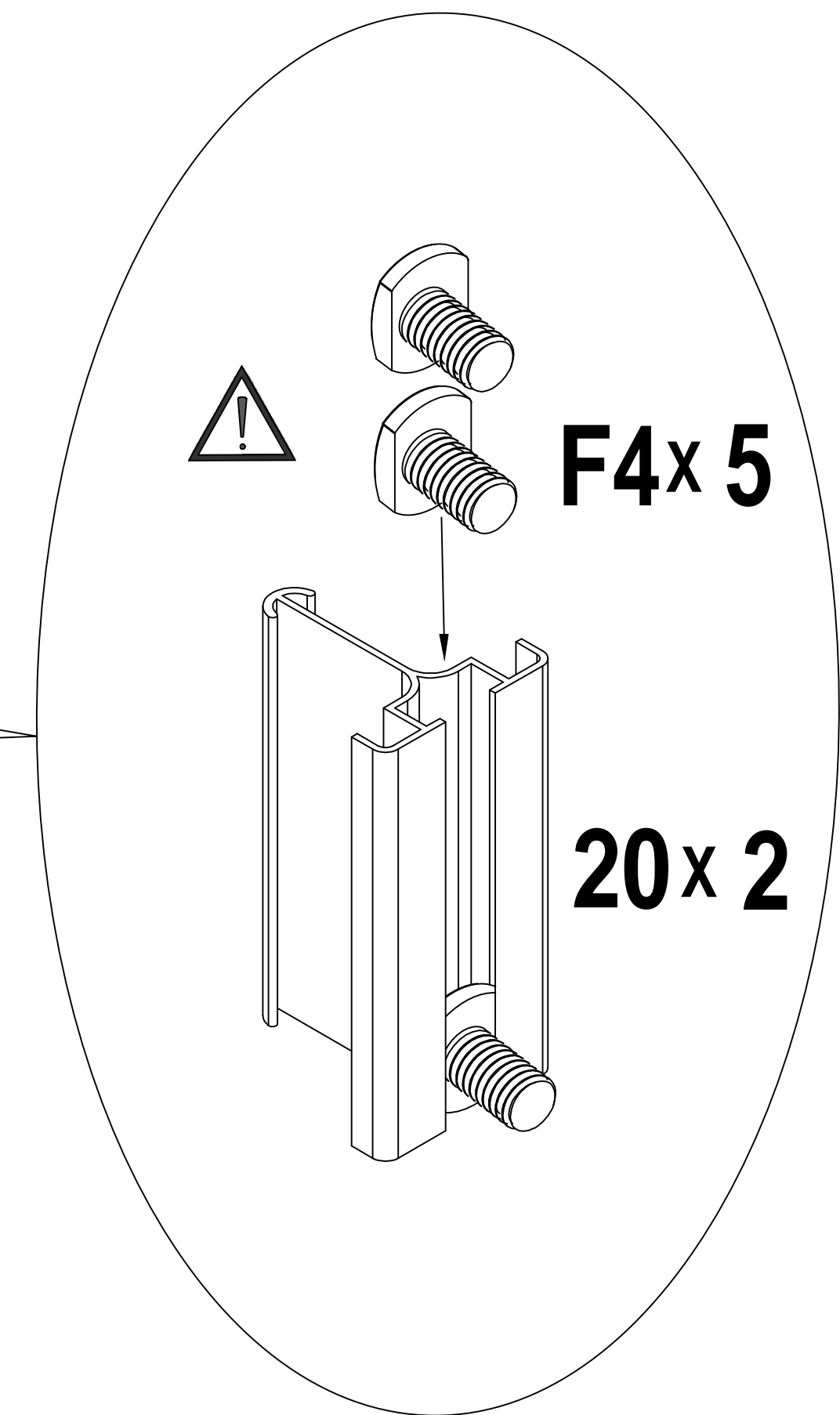
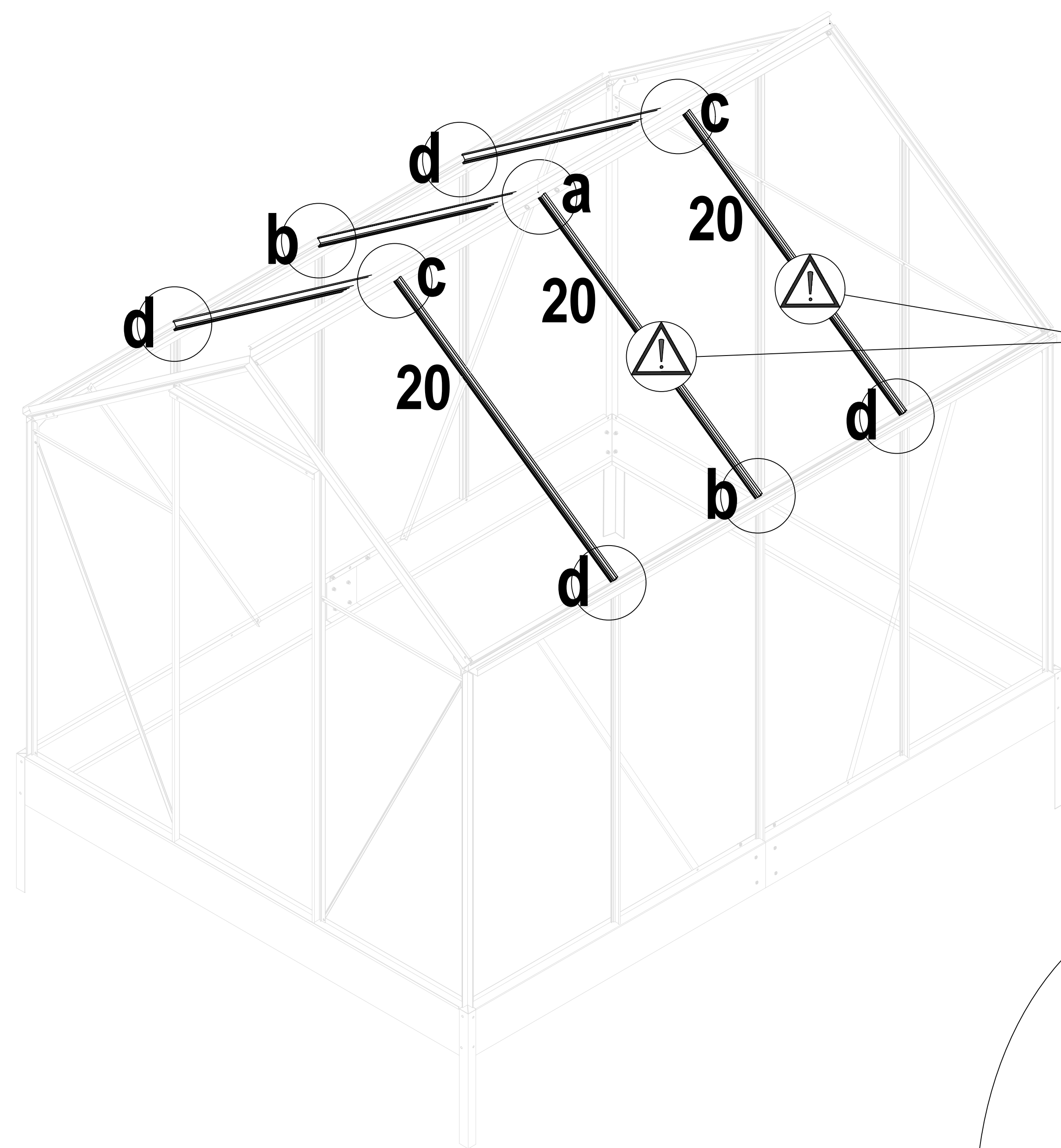
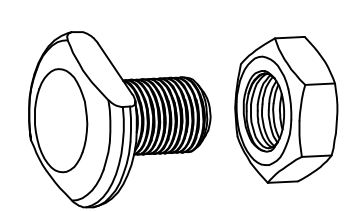




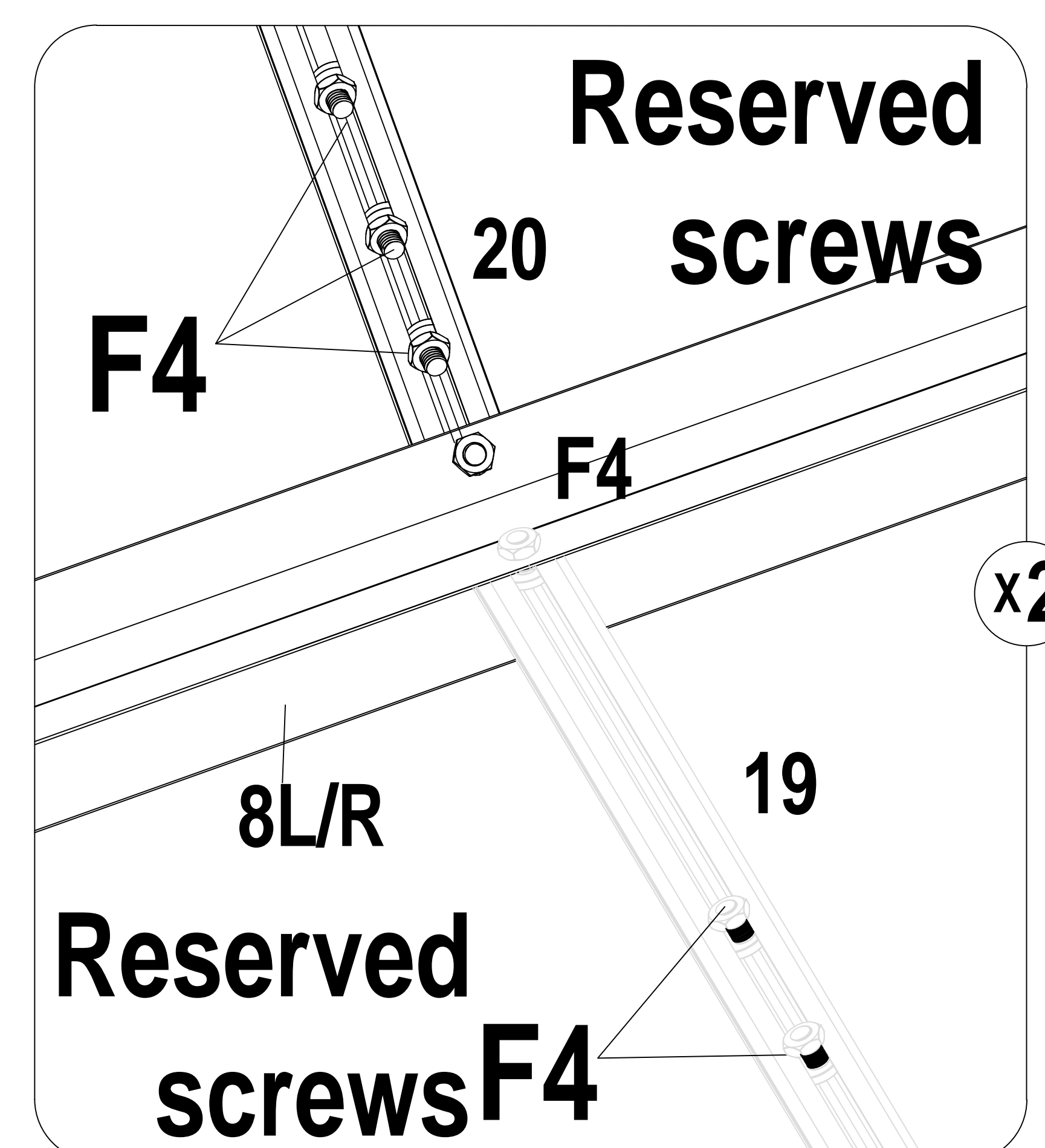
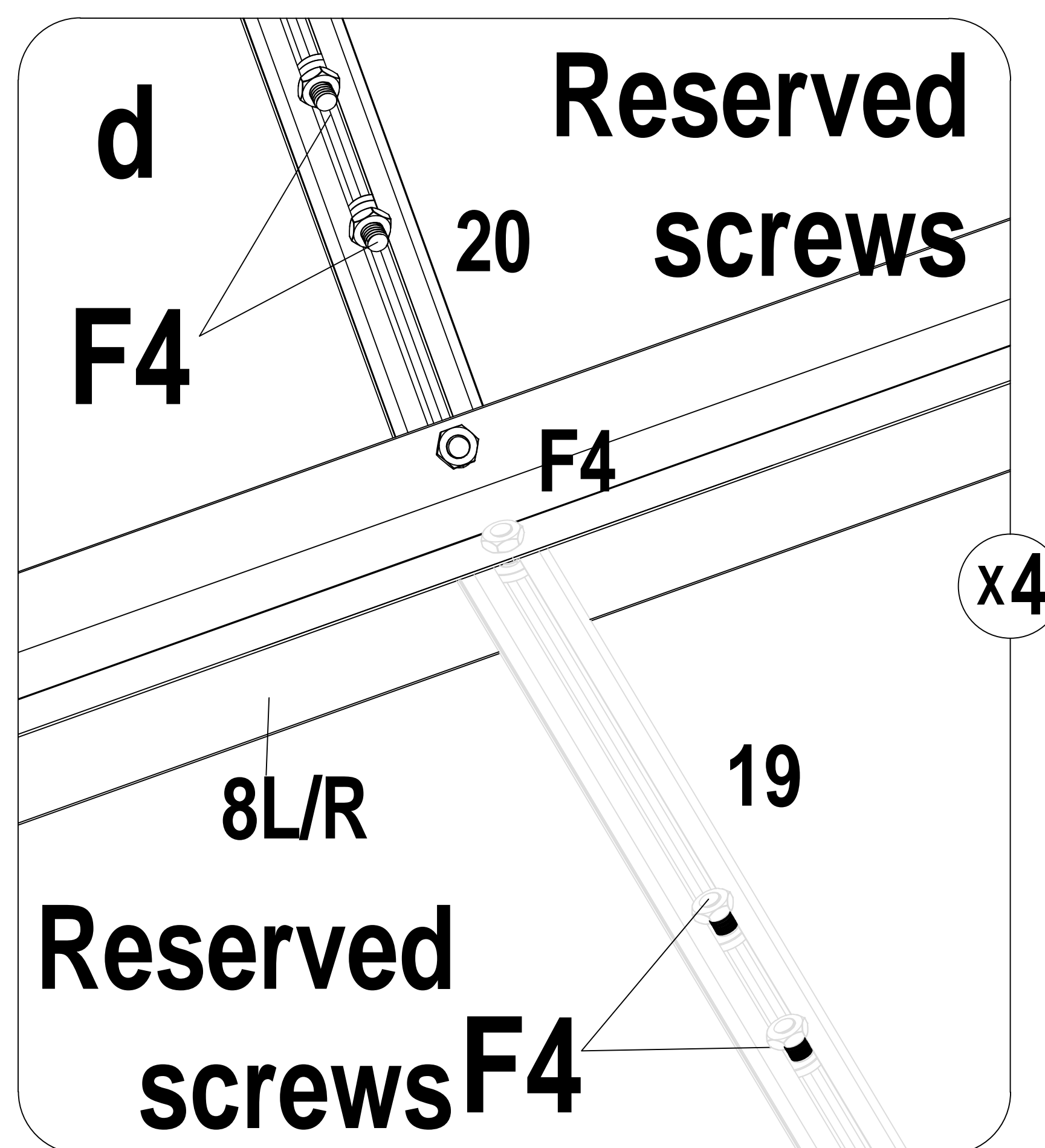
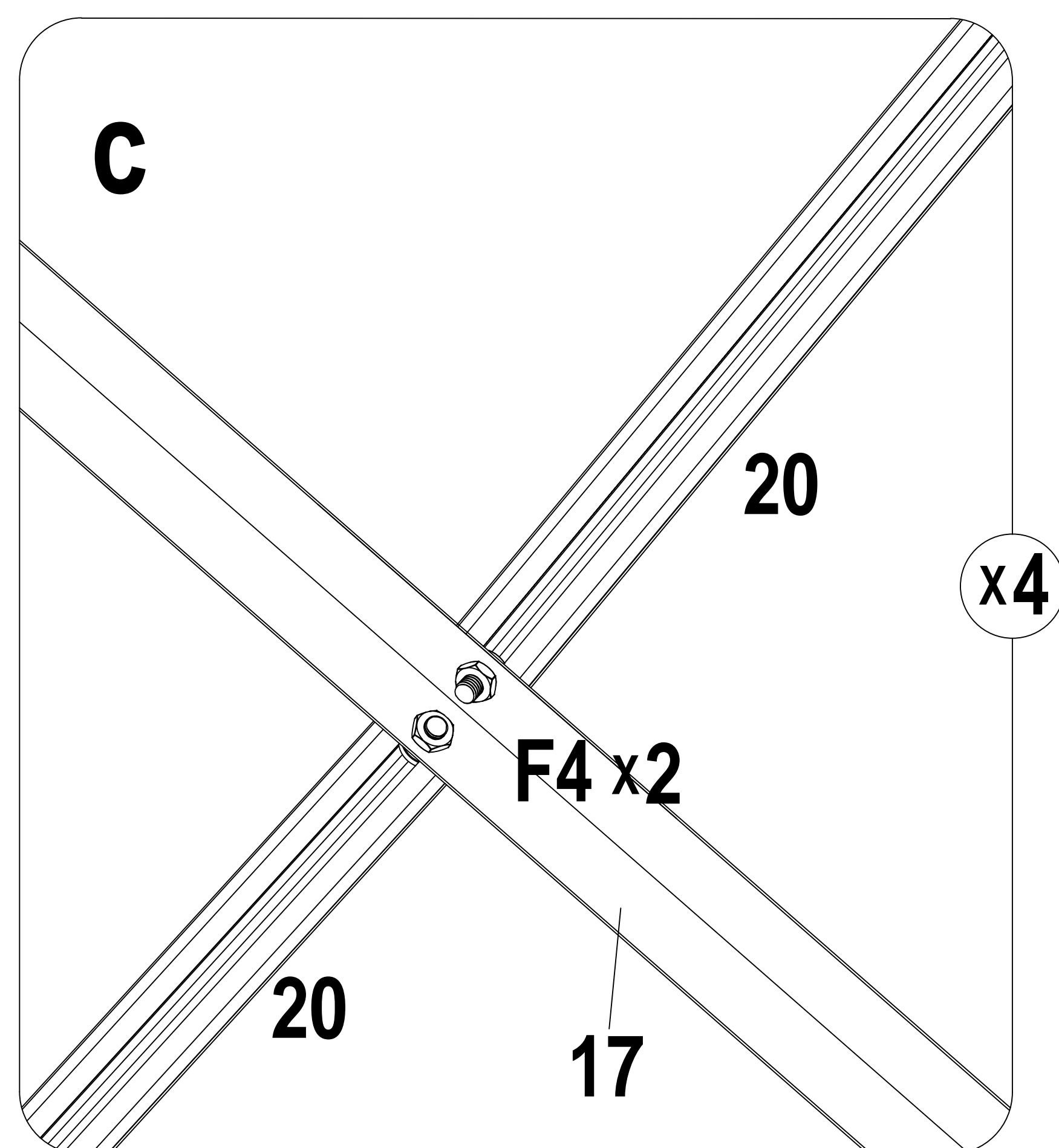
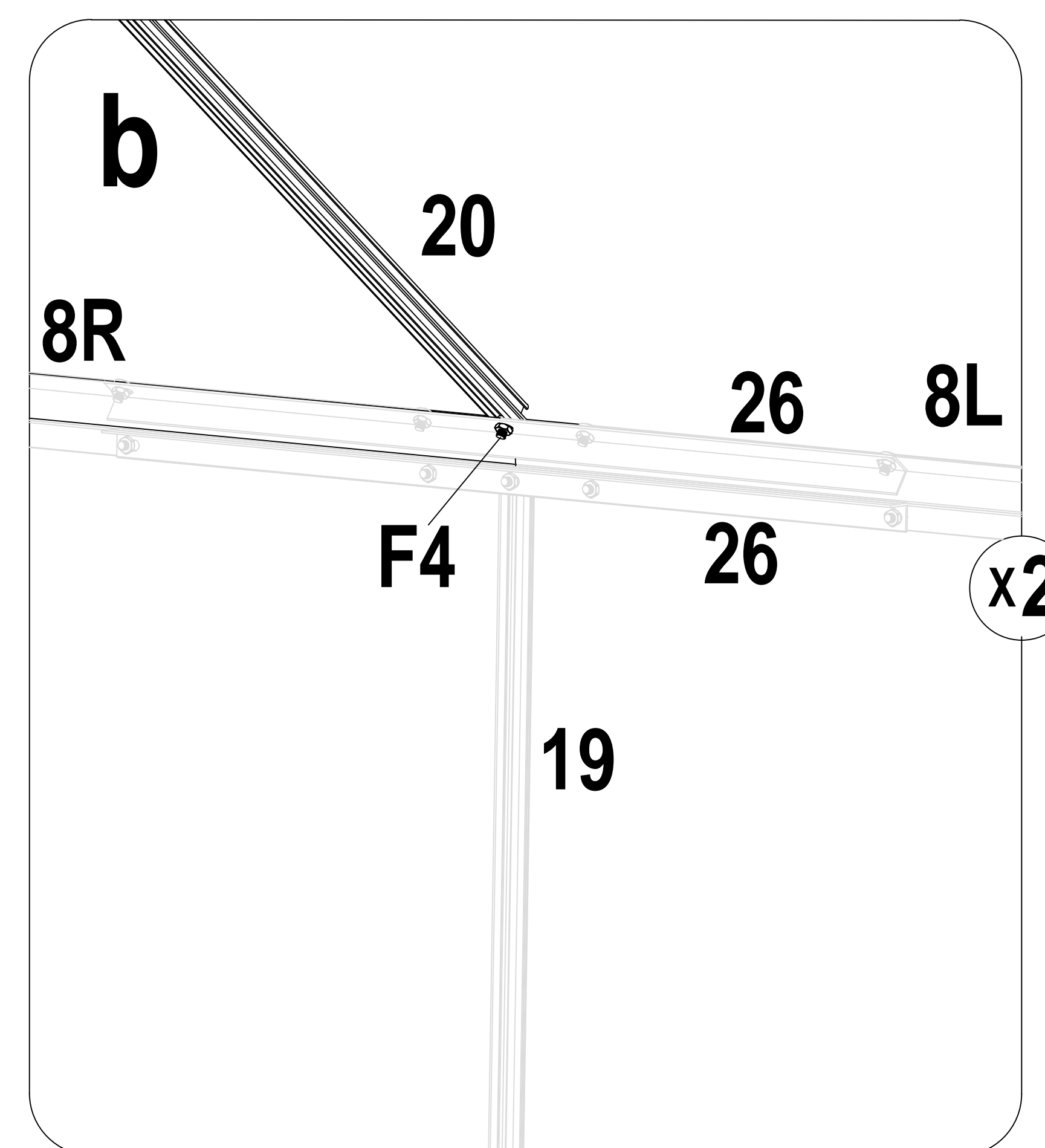
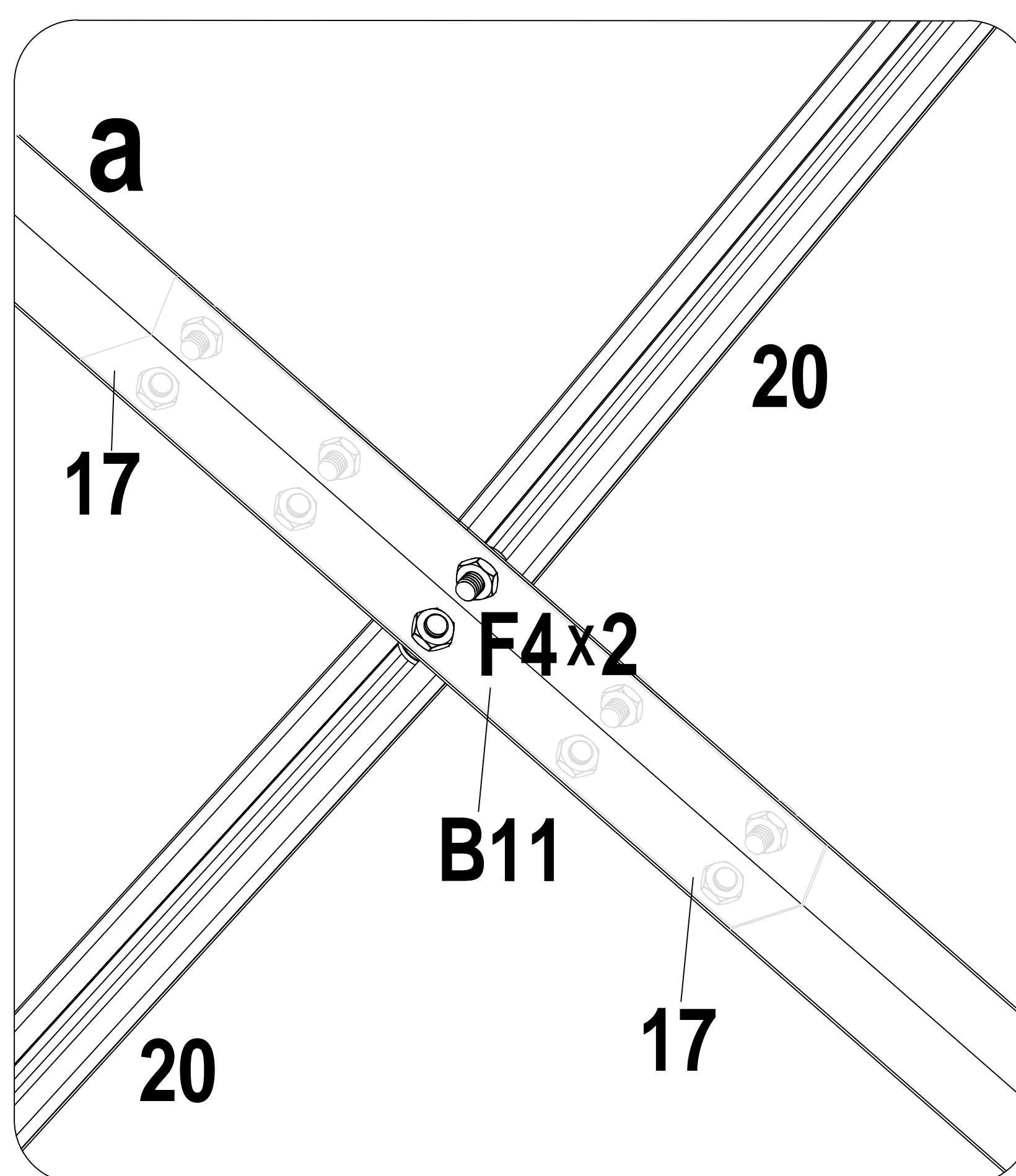
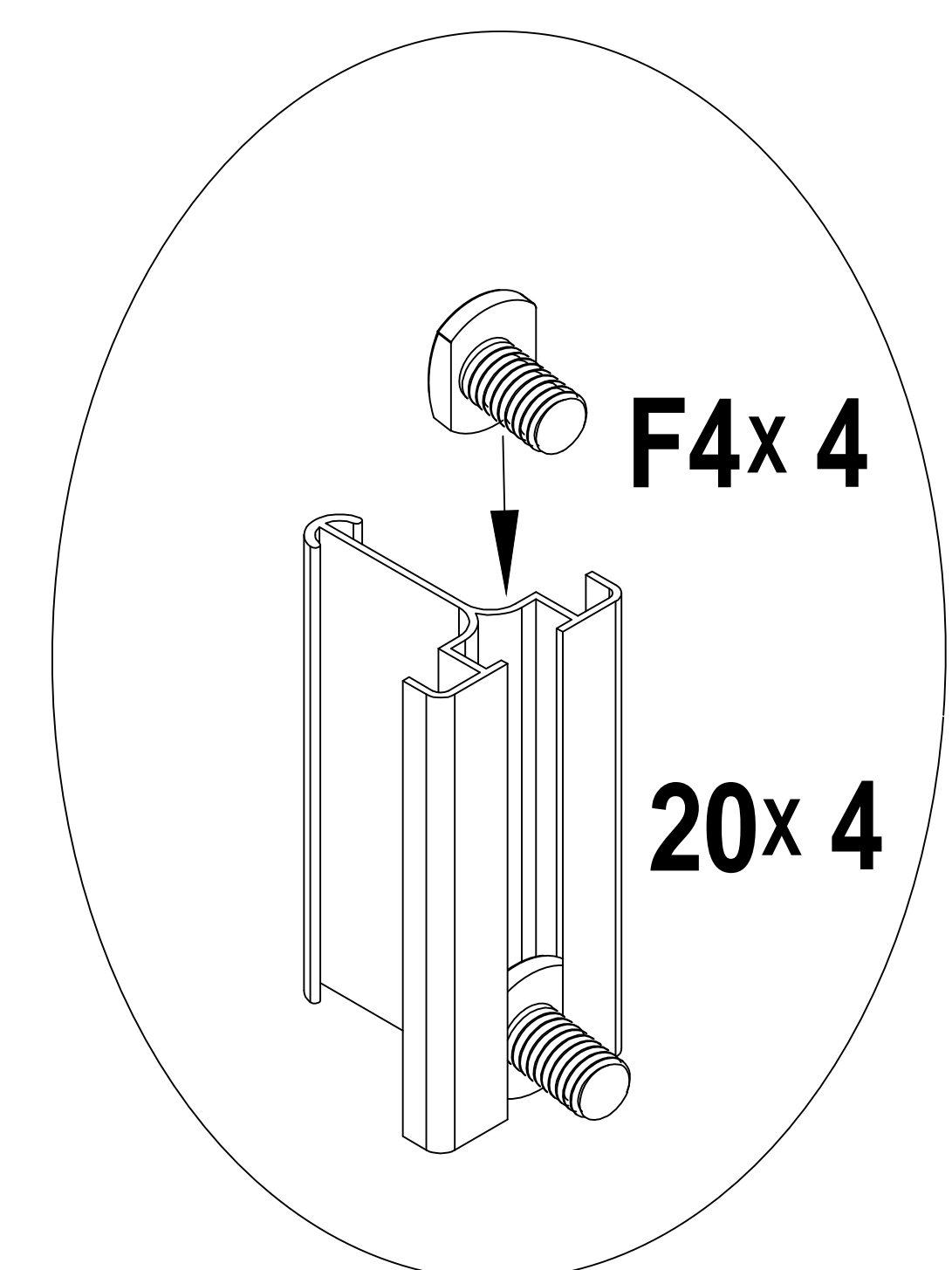
20 x 6

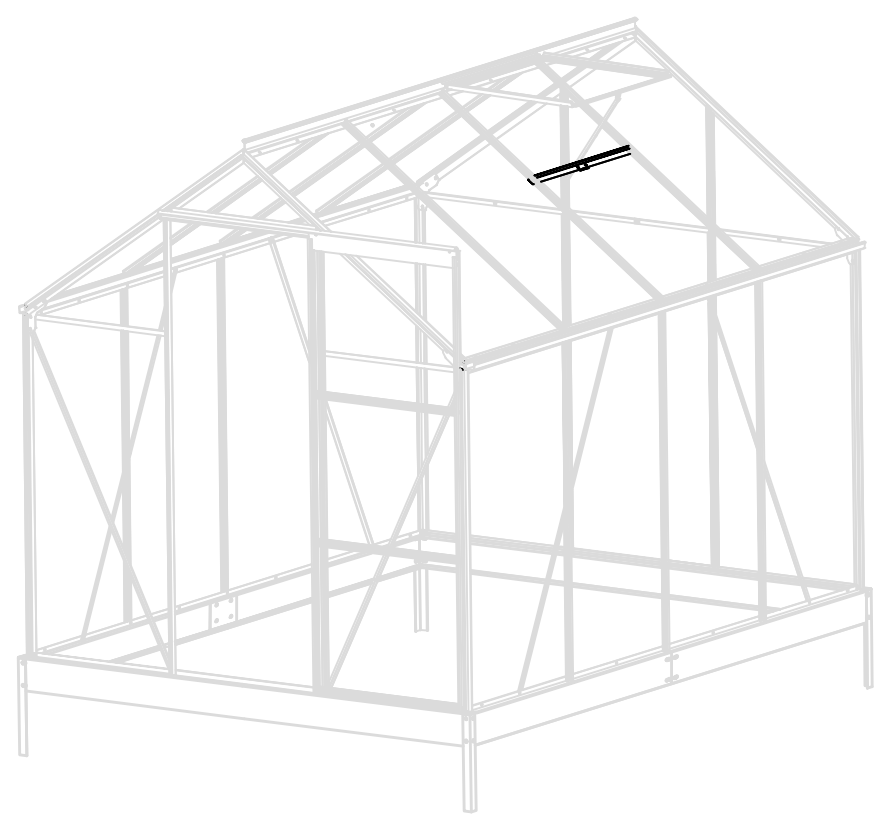


F4 x 26

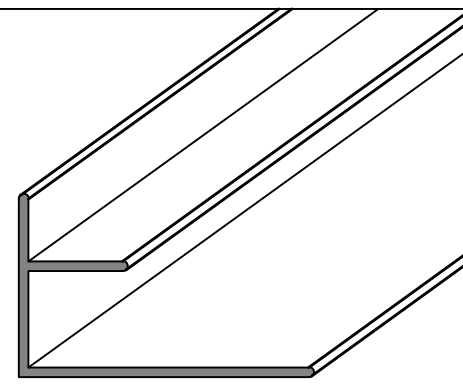


Screw usage

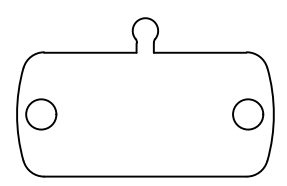




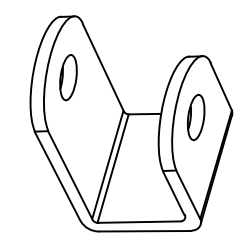
21 x1



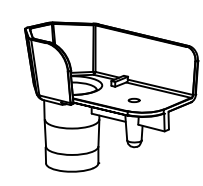
B4 x1



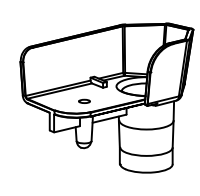
B8 x1



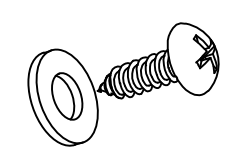
S3L x2



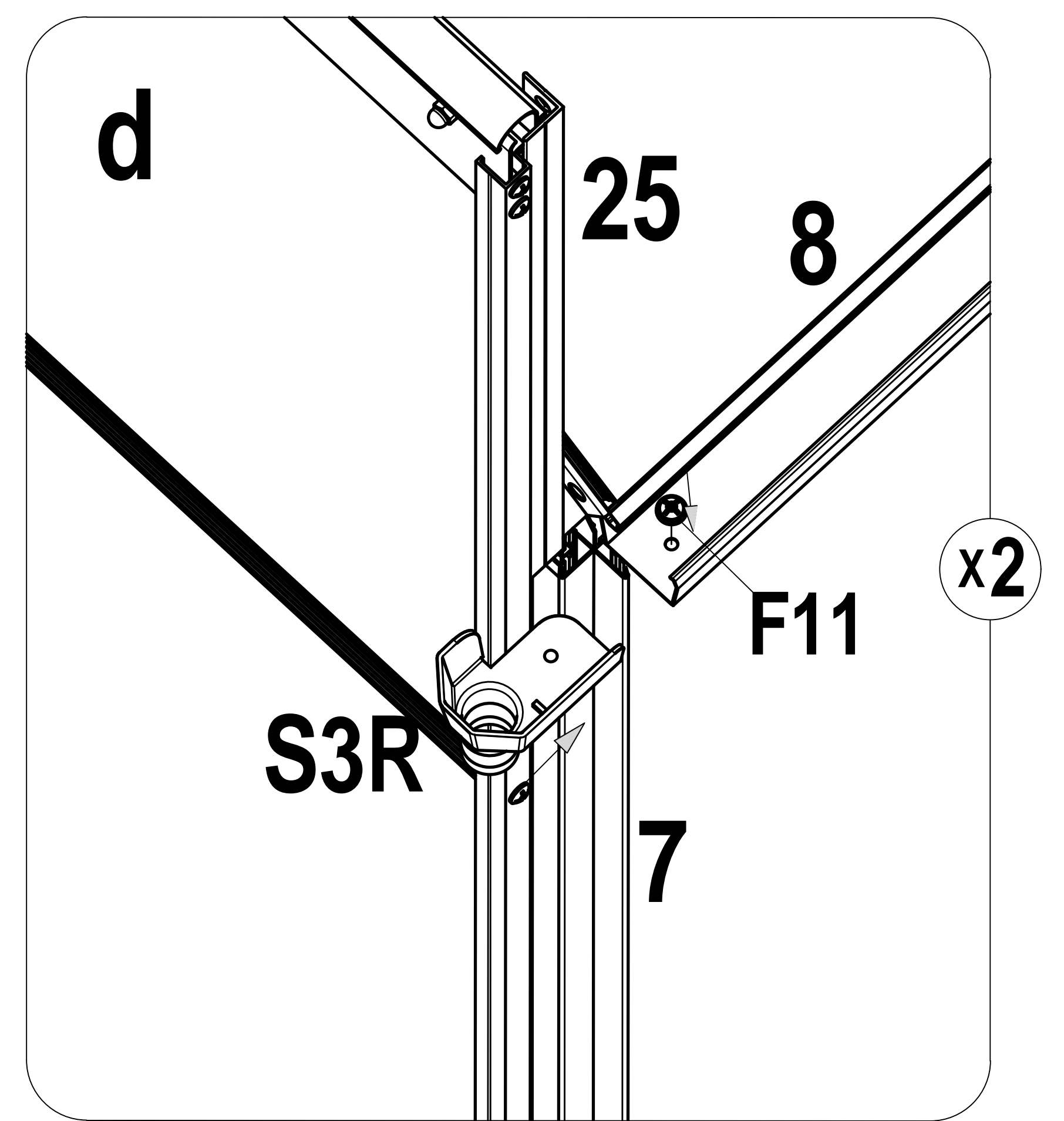
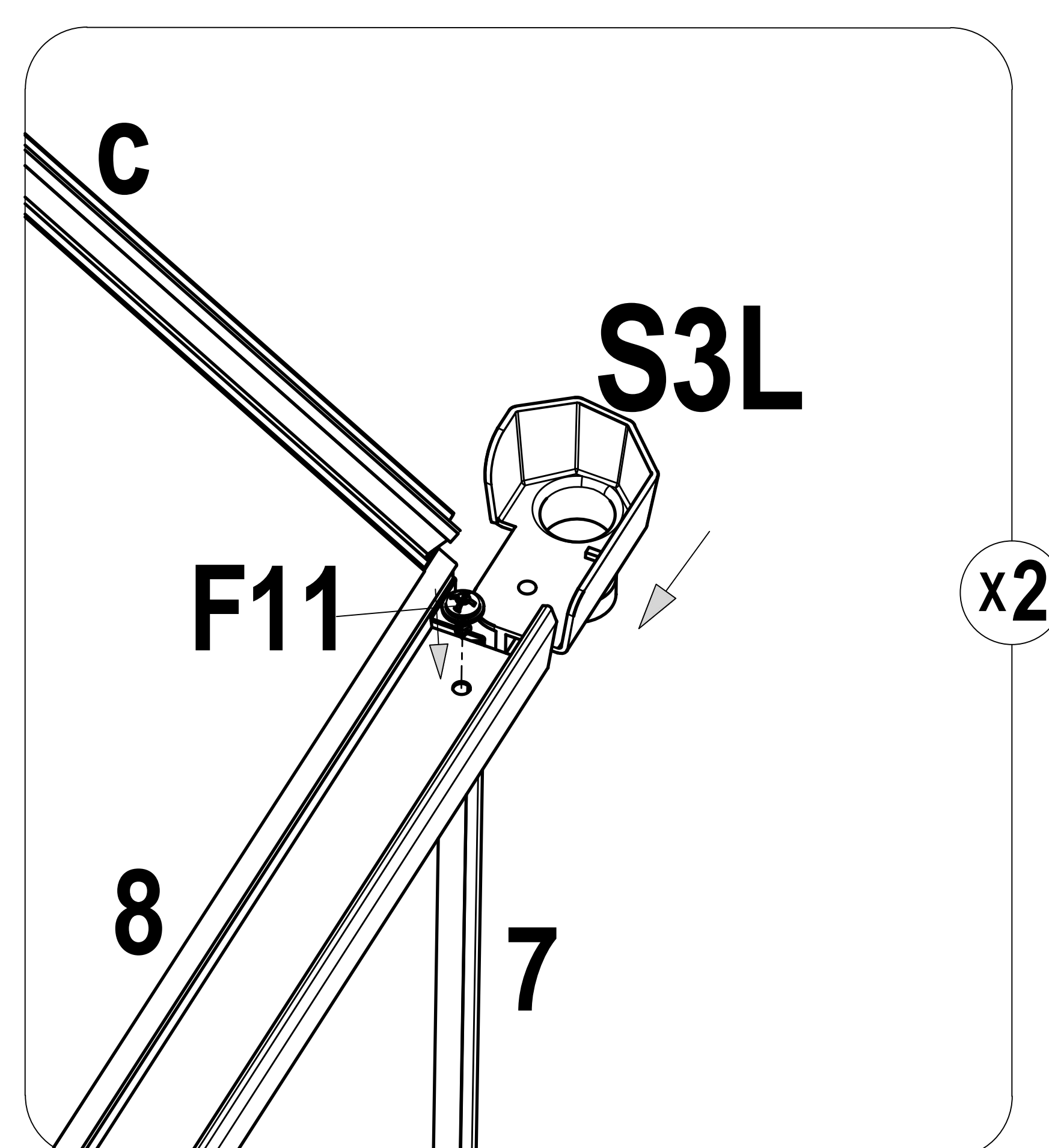
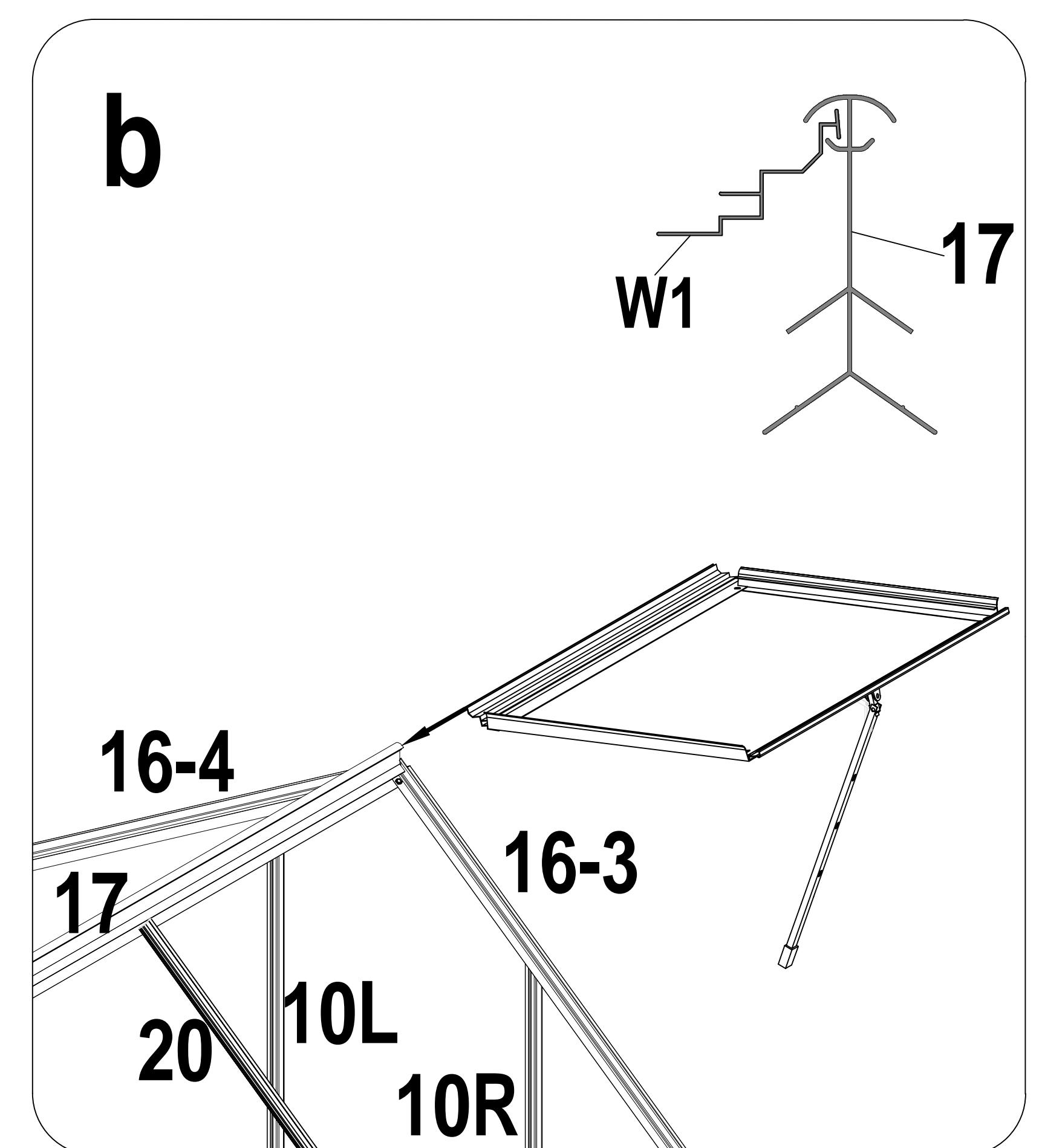
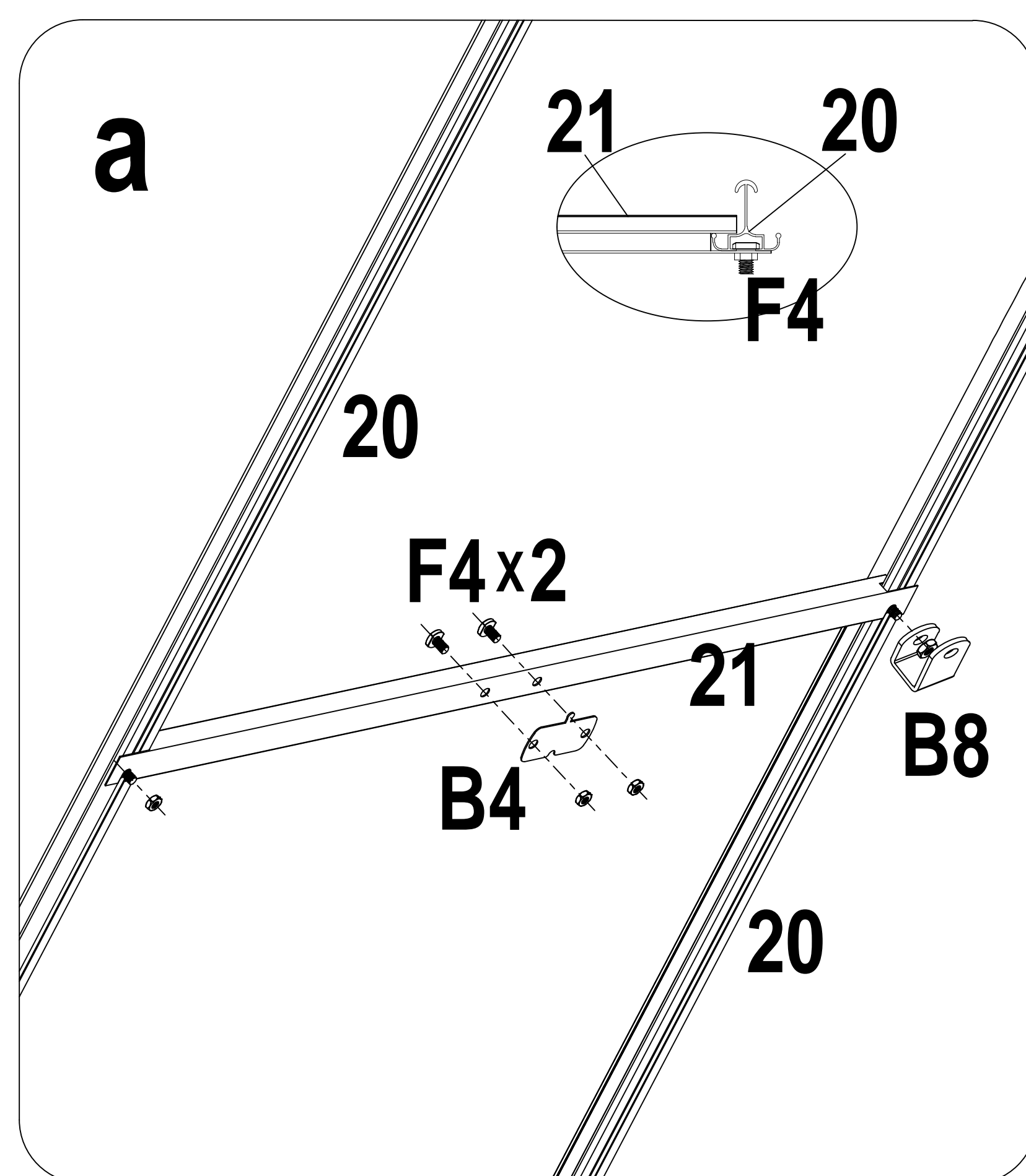
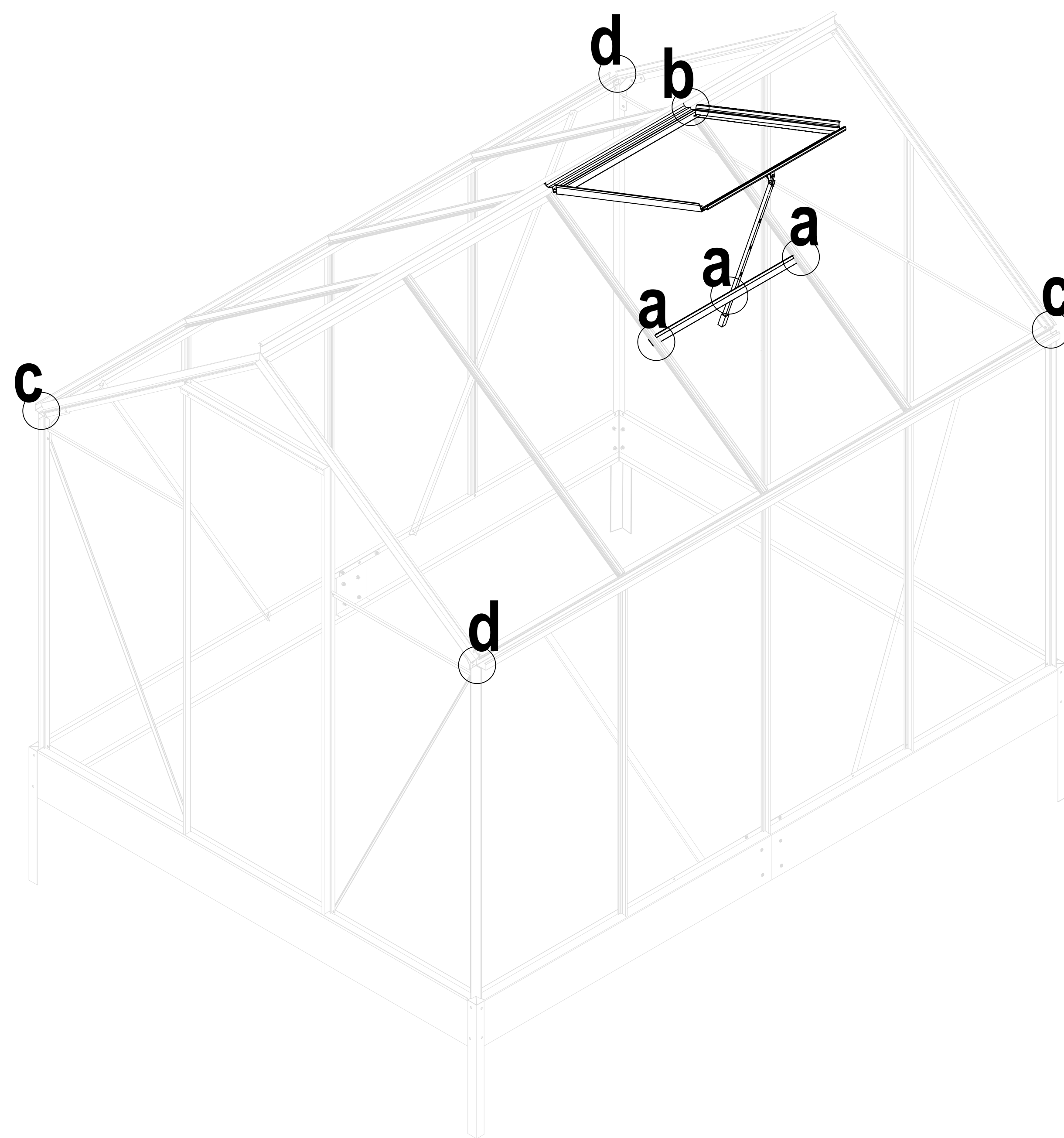
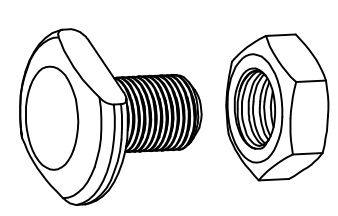
S3R x2

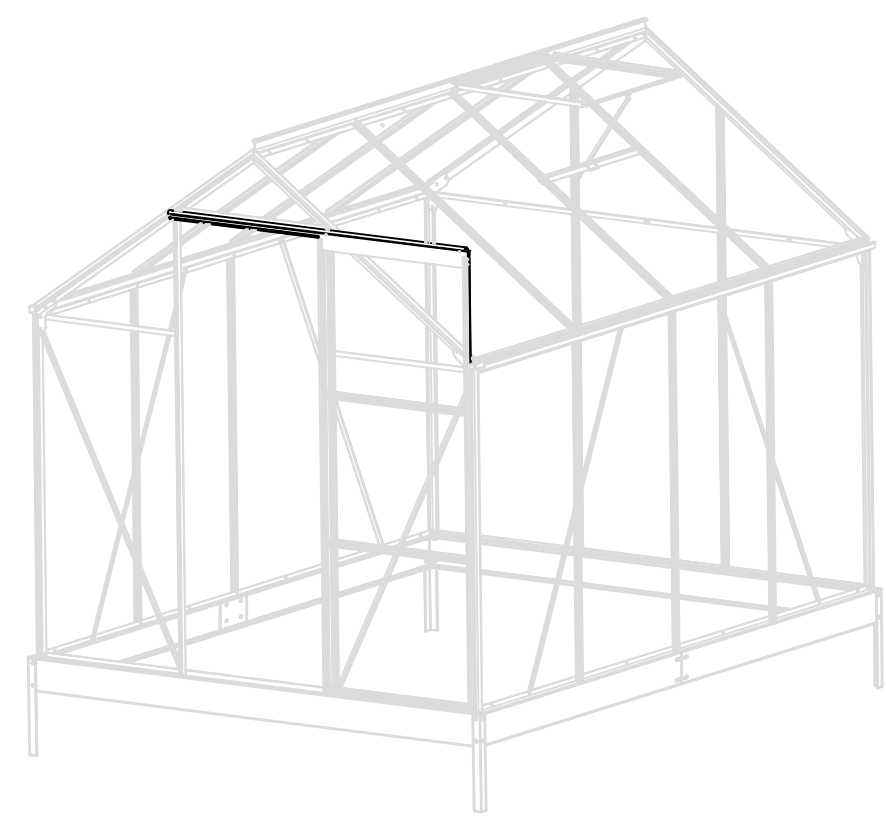


F11 x4

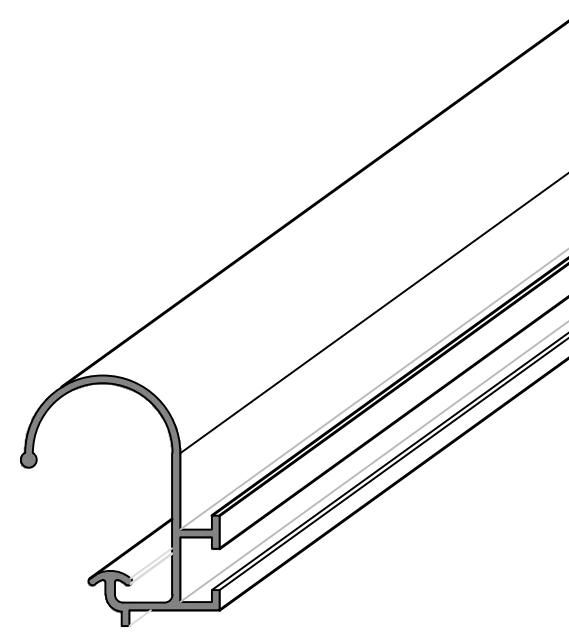


F4x2

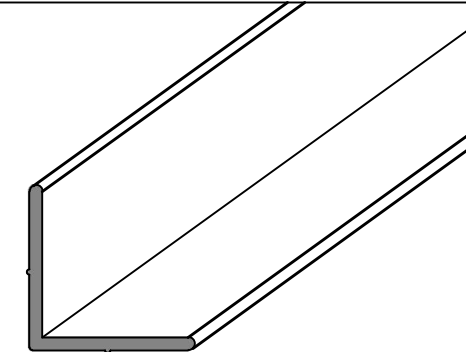




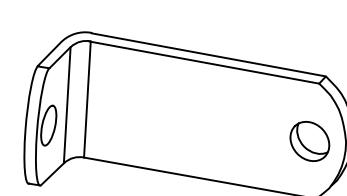
18 x1



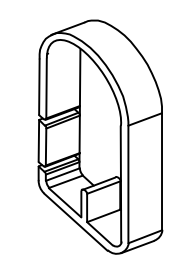
25 x1



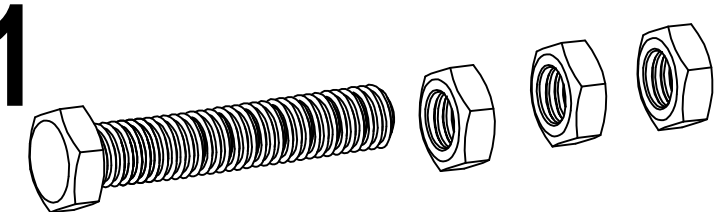
B6x1



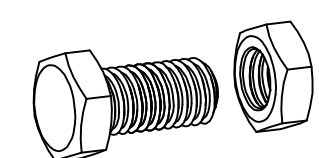
S6R x1



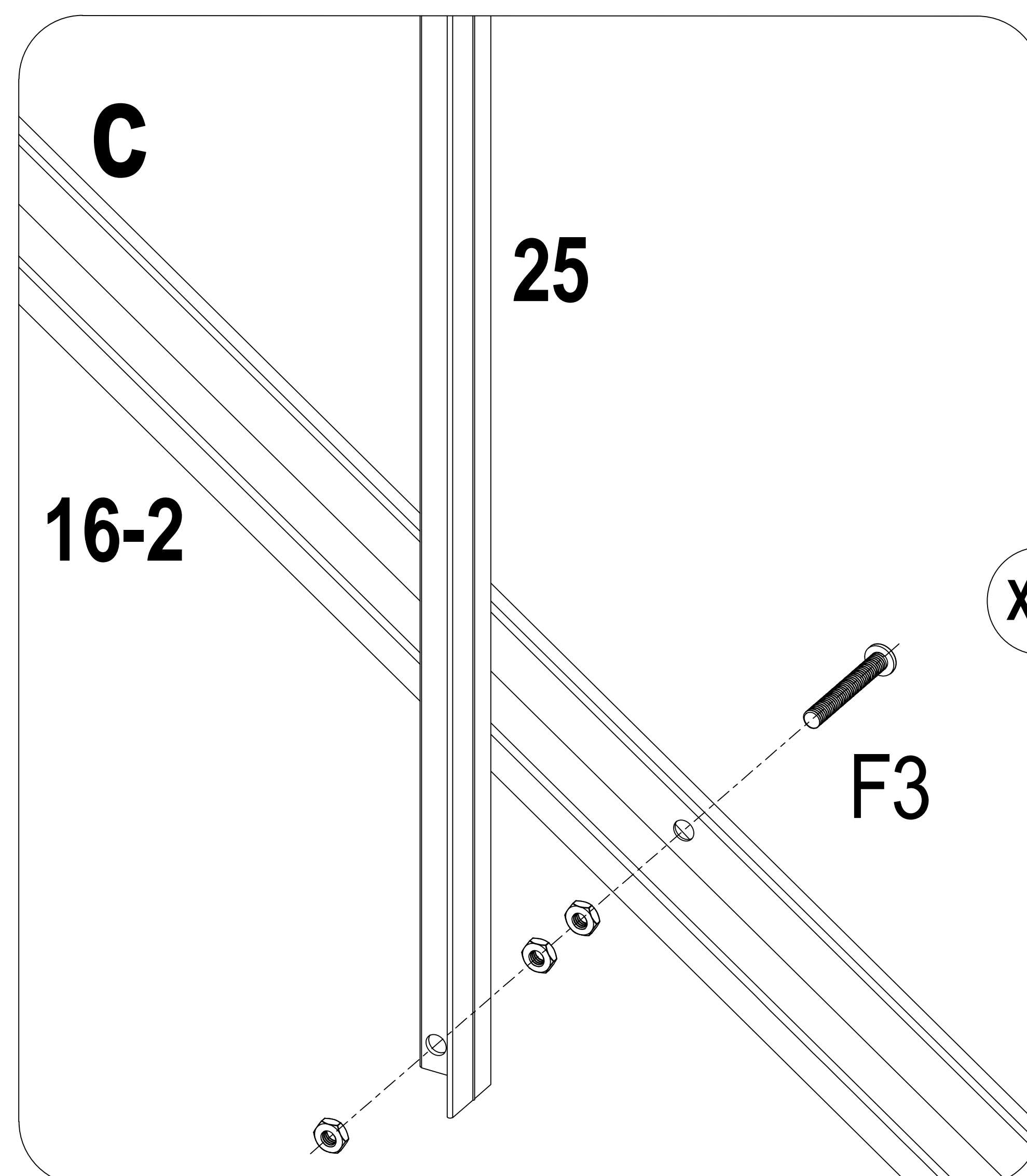
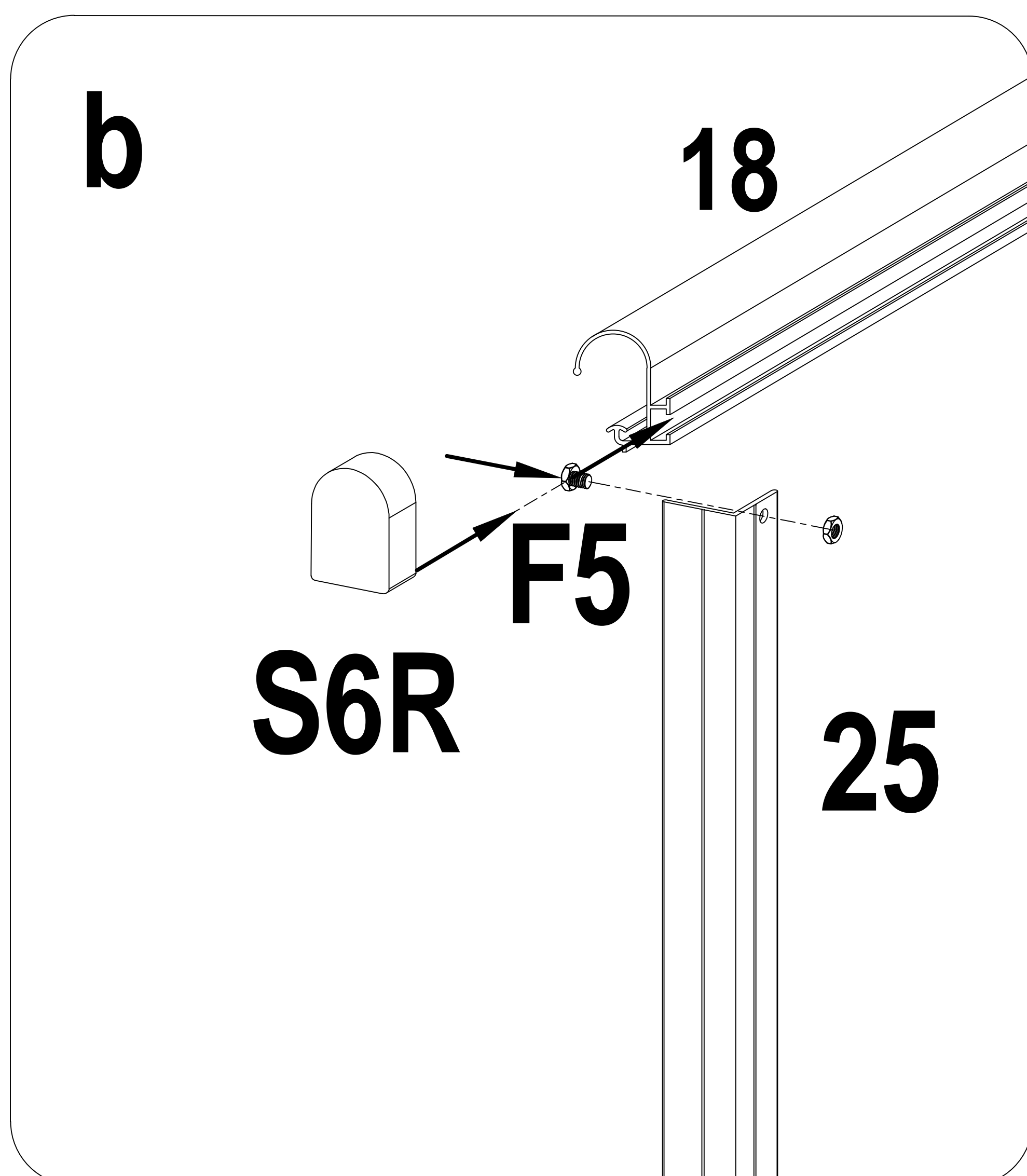
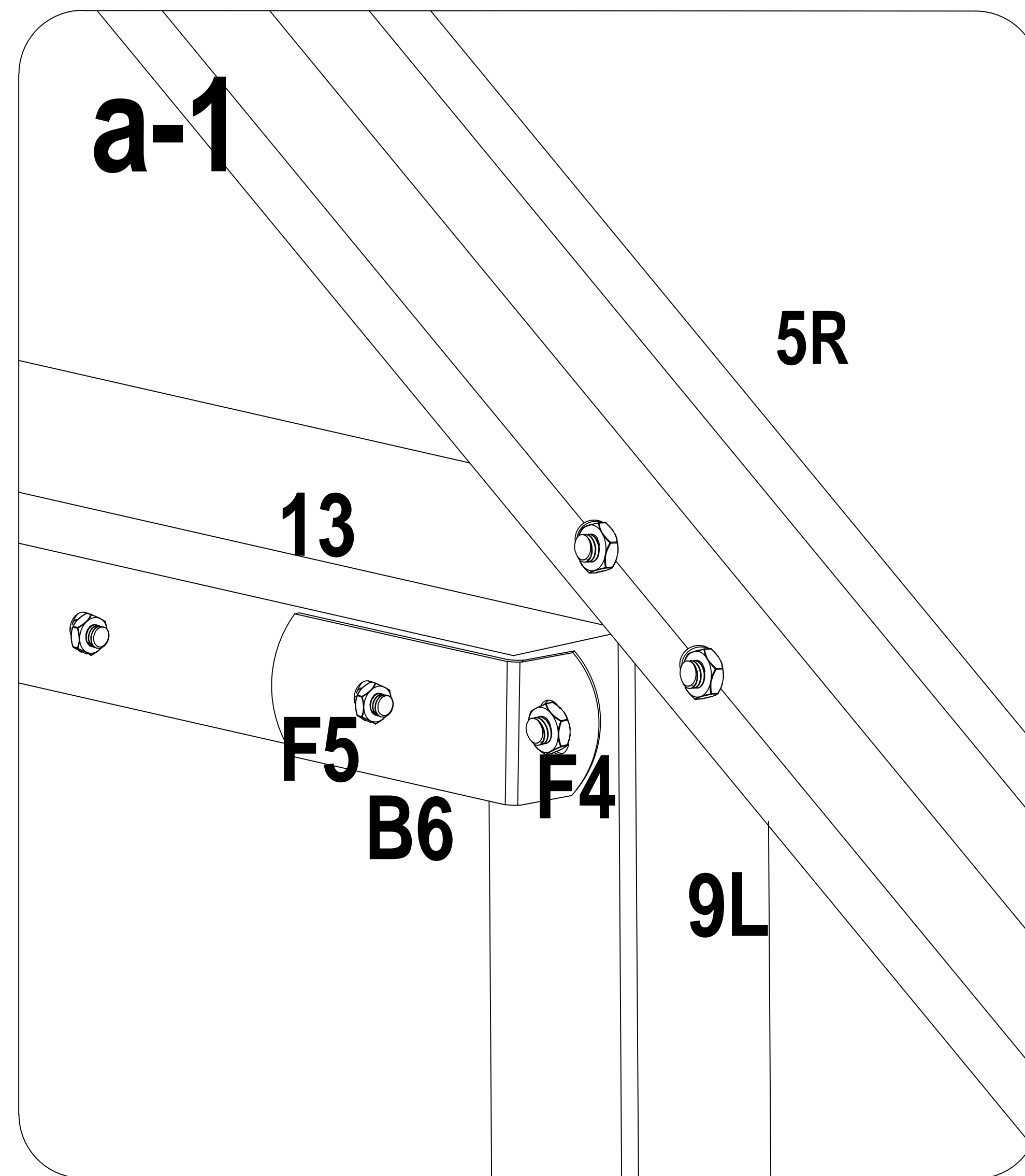
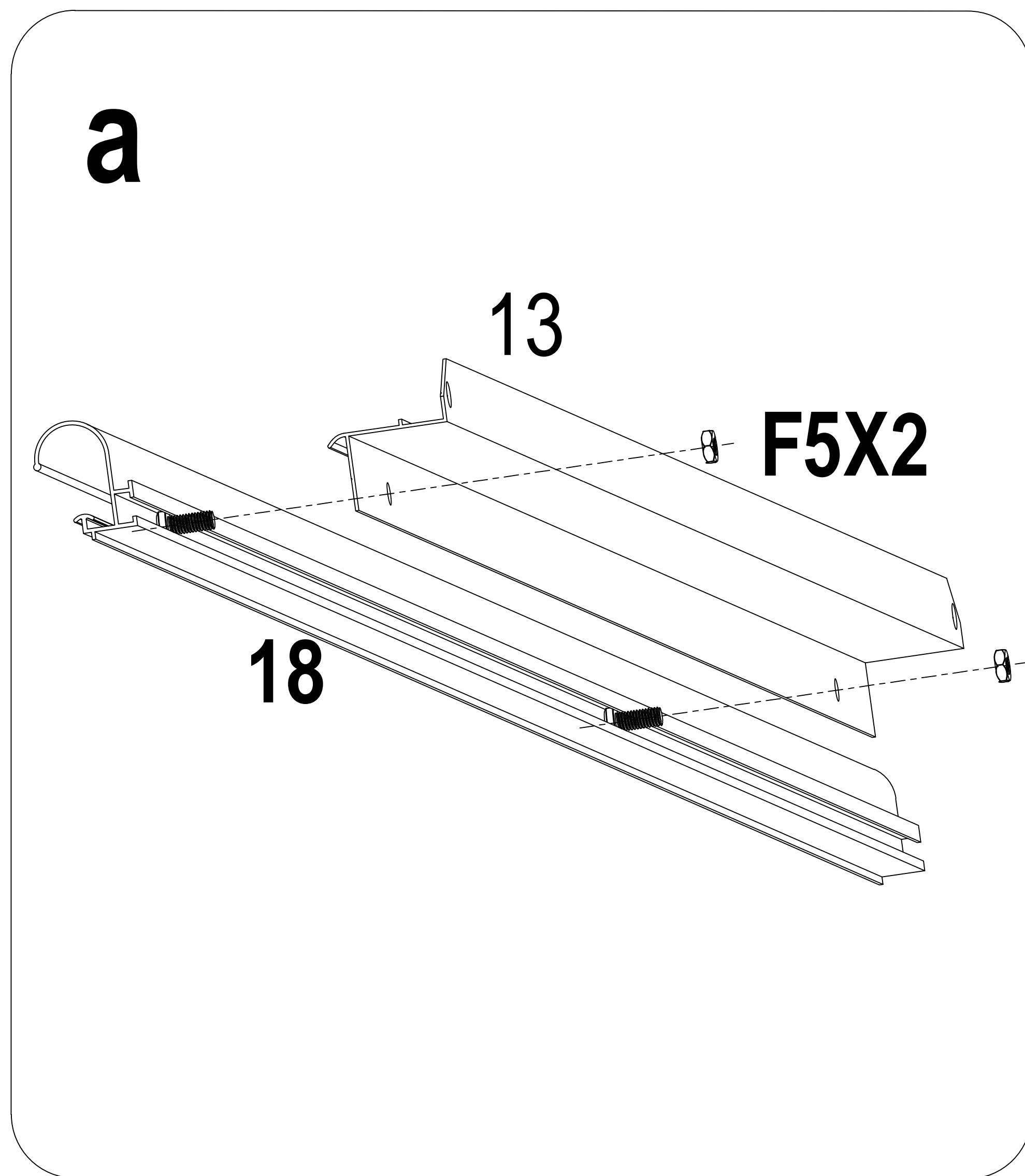
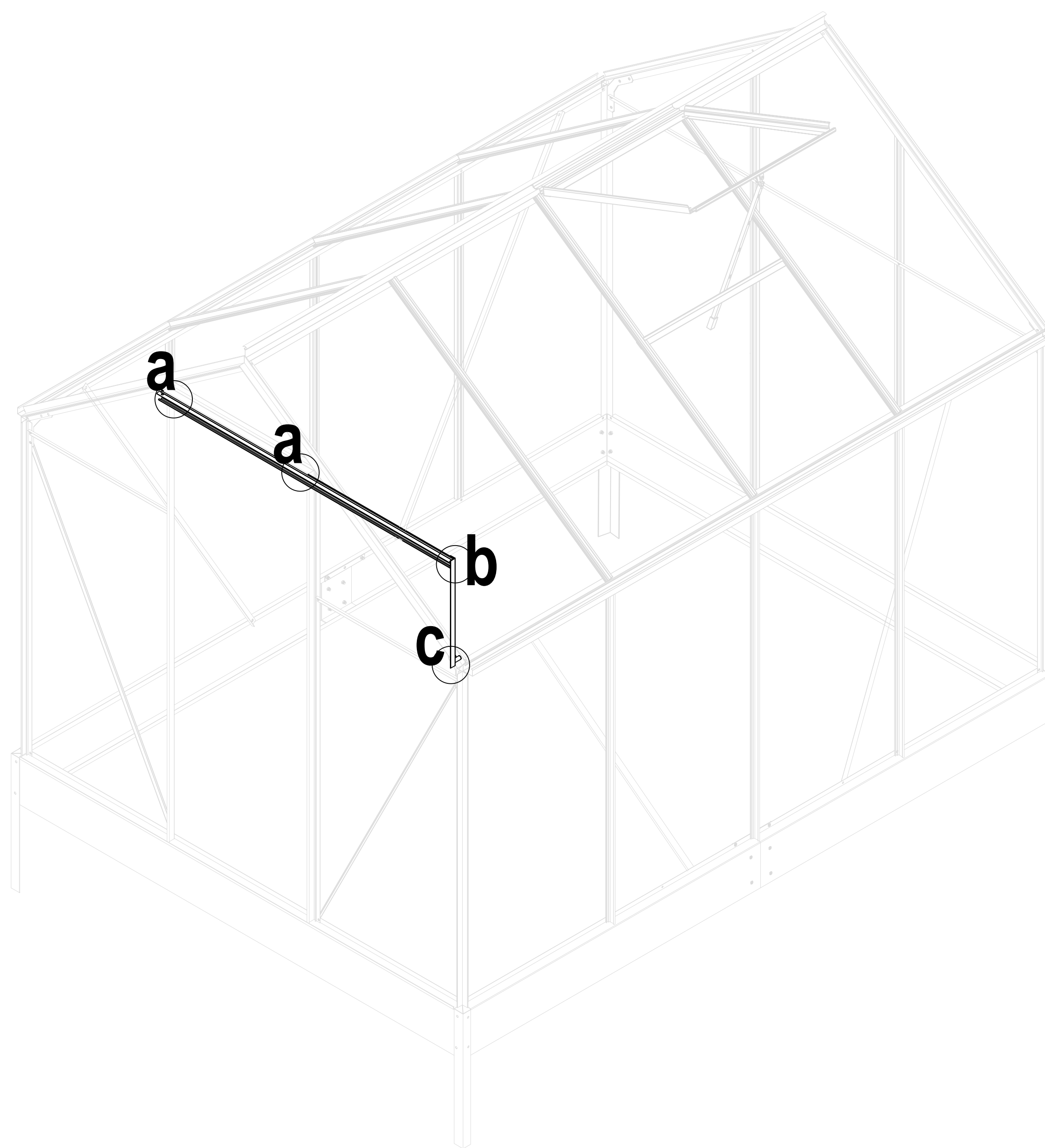
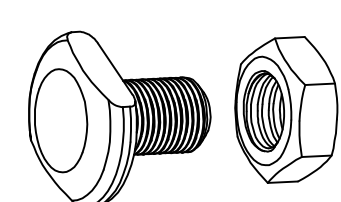
F3 x1

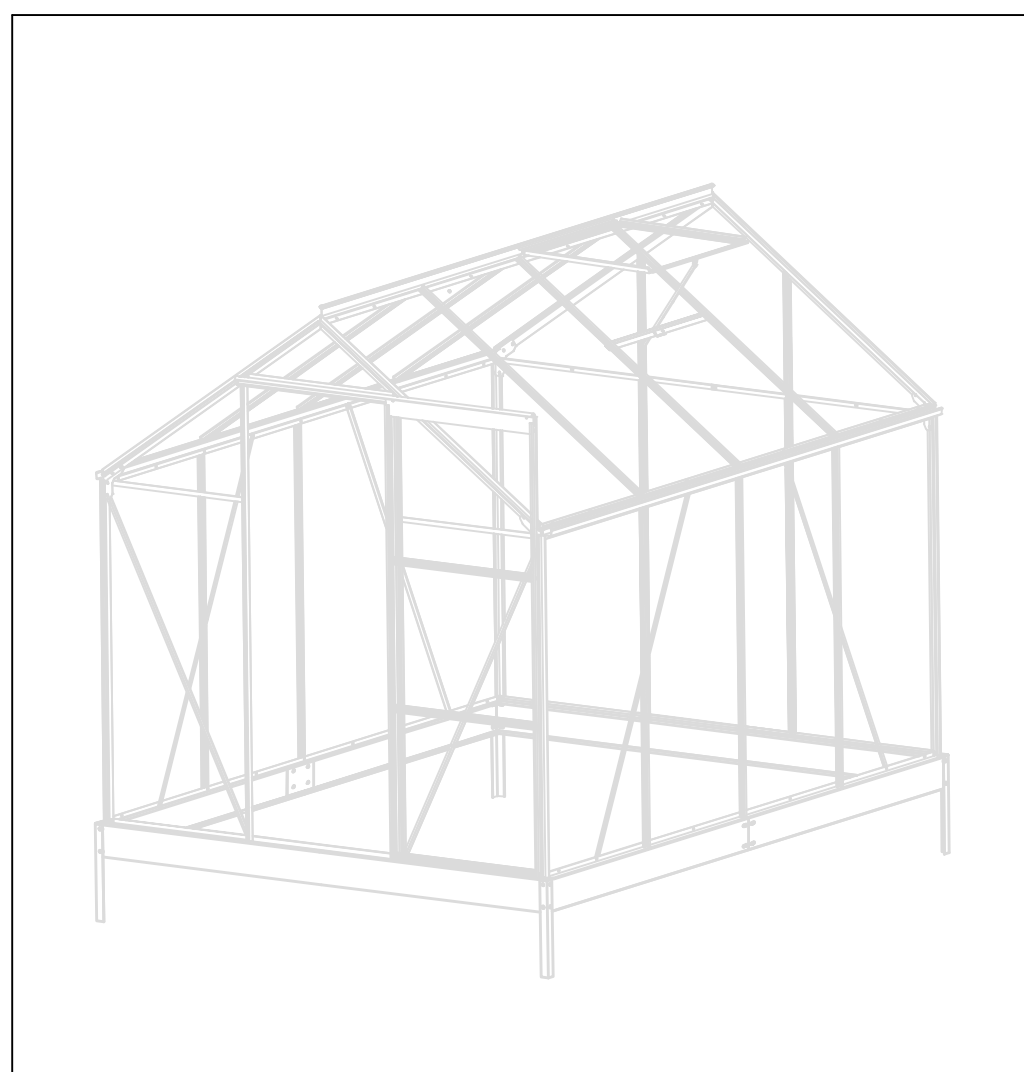


F5 x3

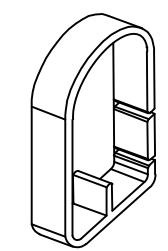


F4 x1

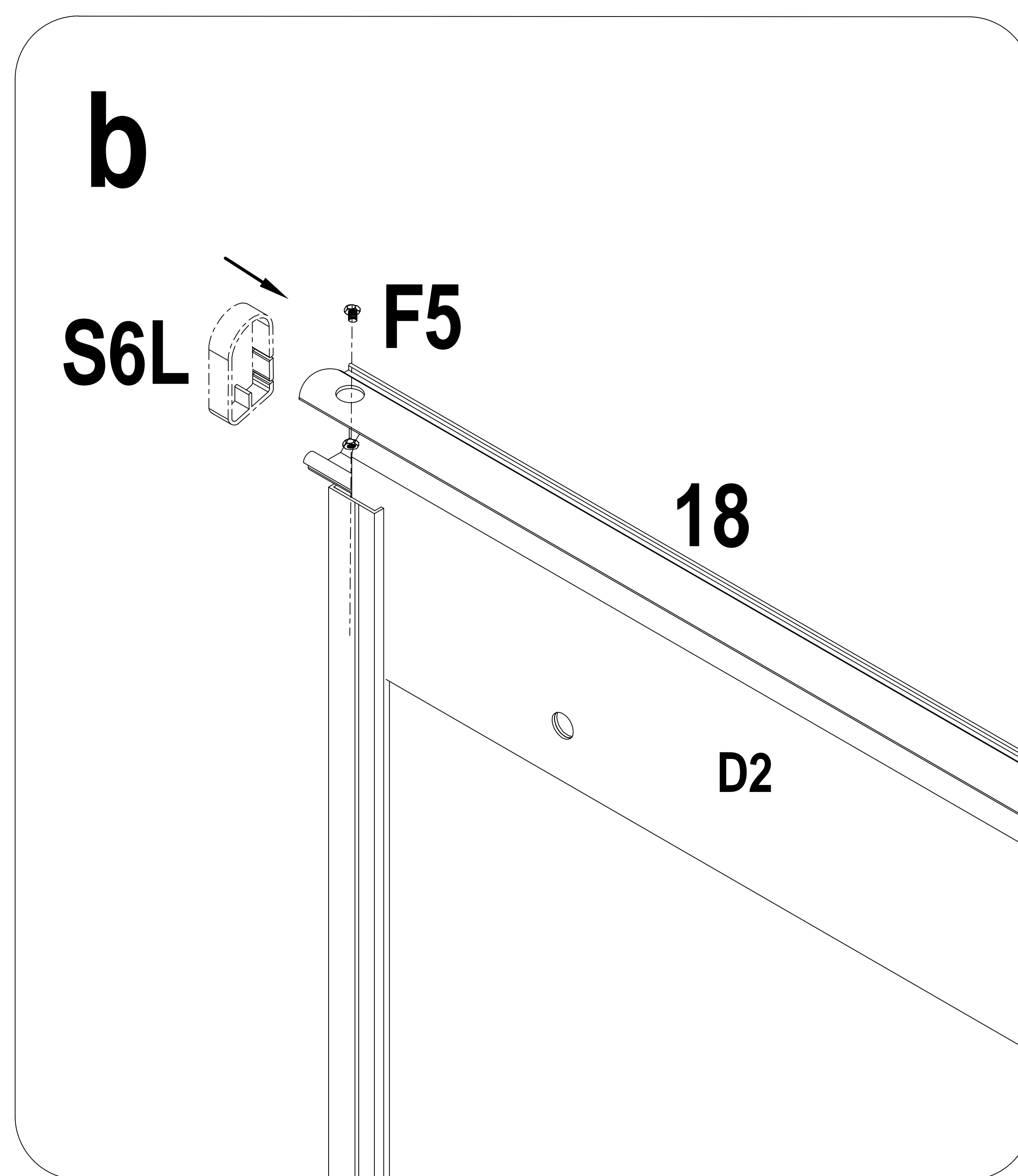
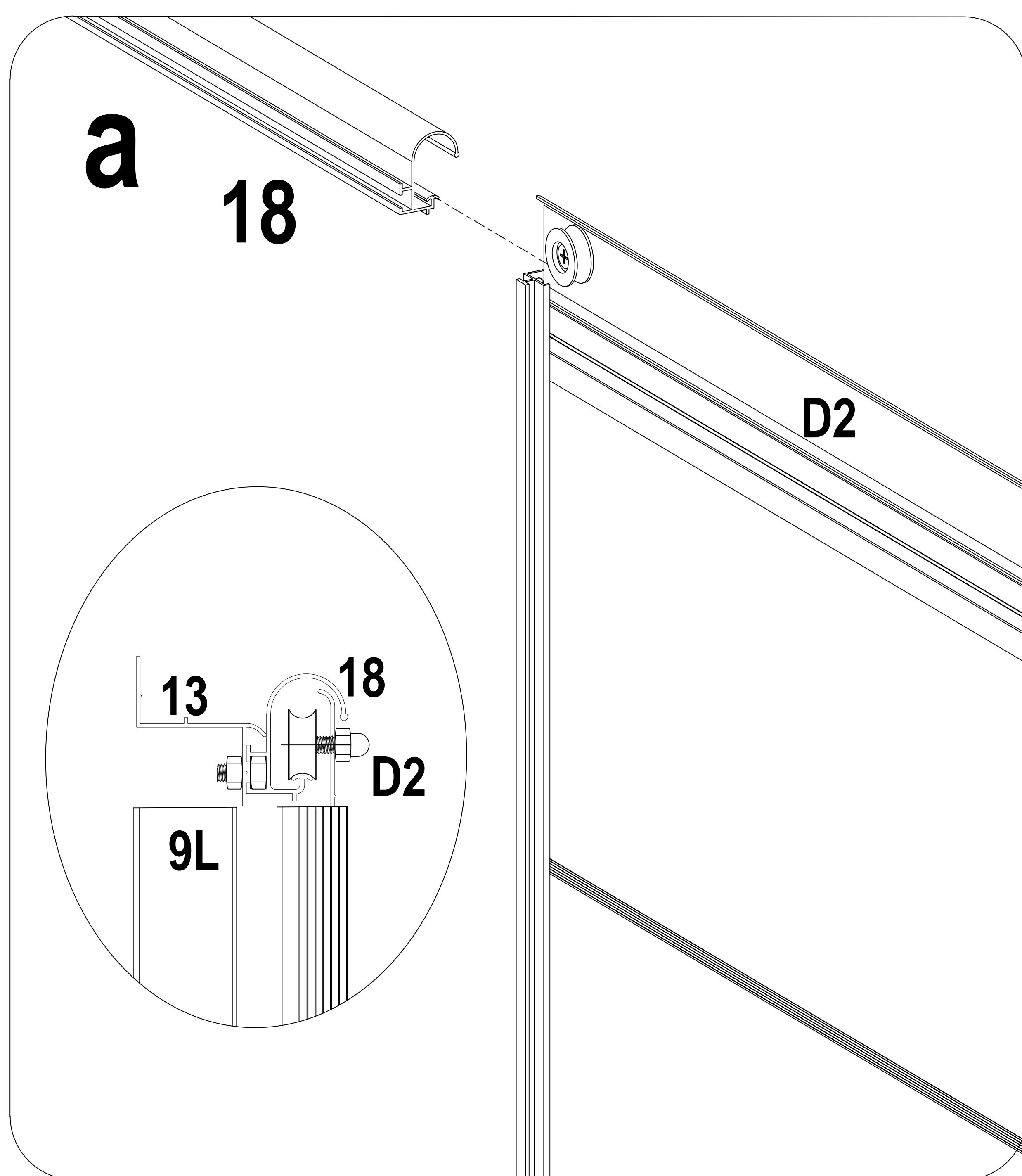
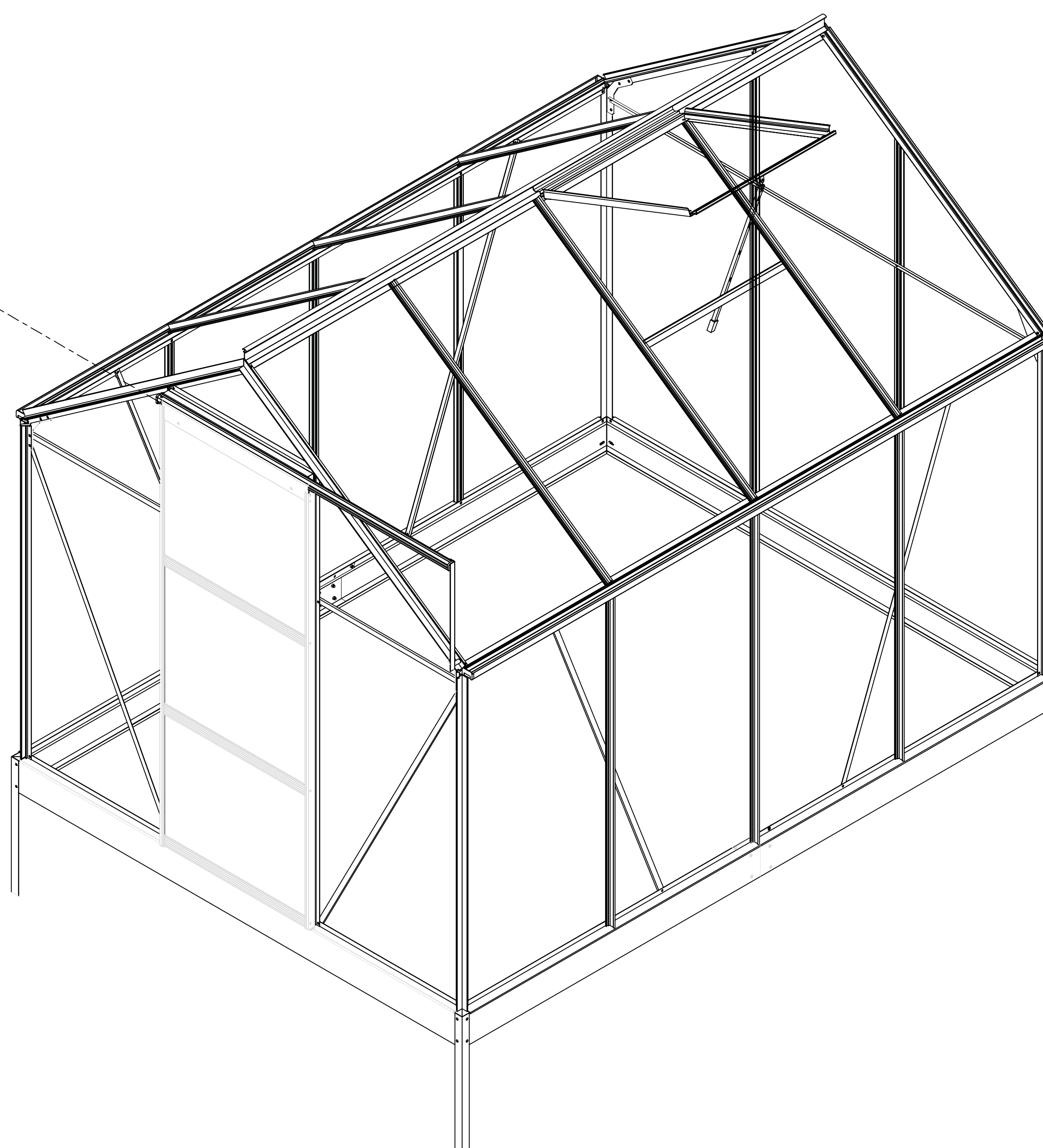
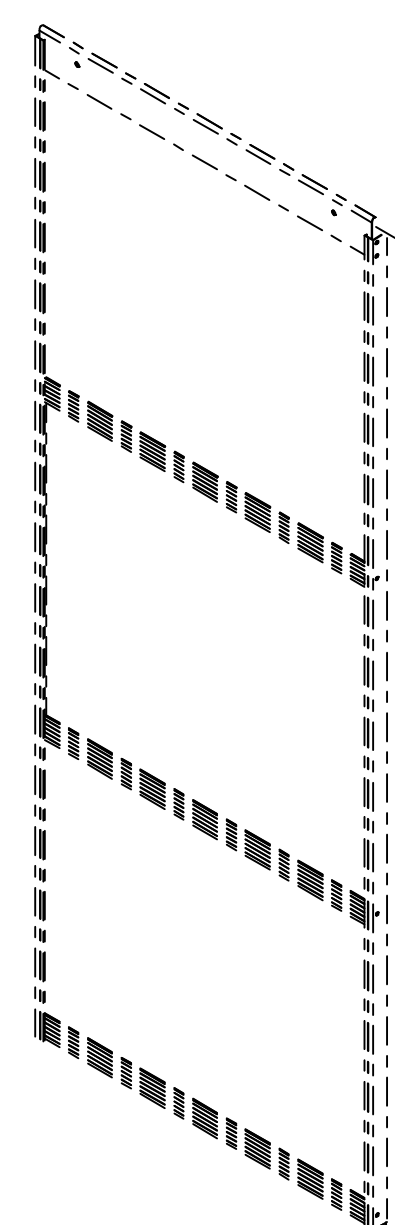
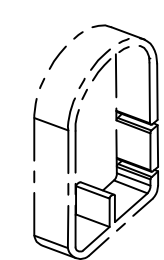
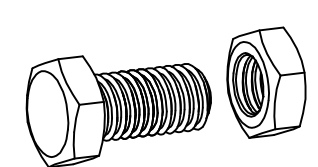


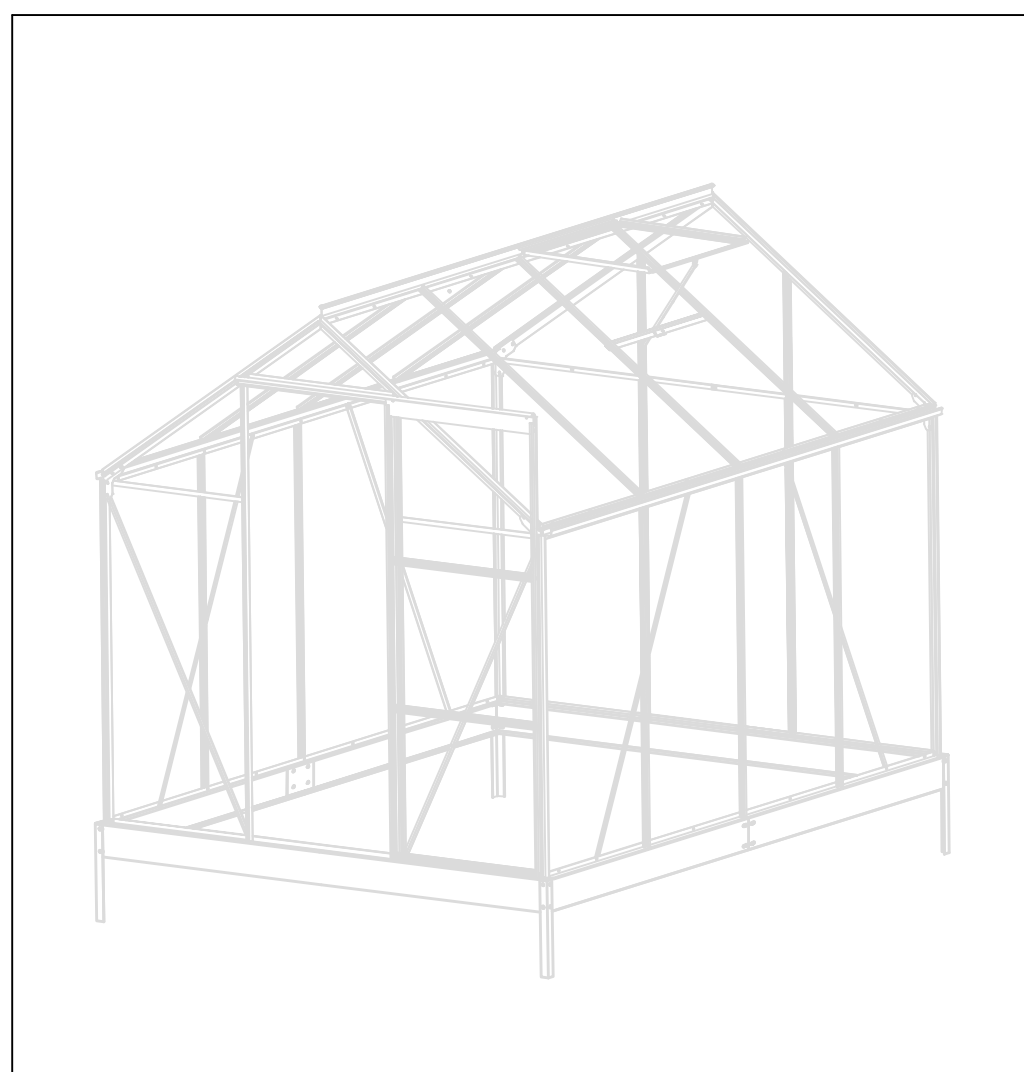


S6L x1

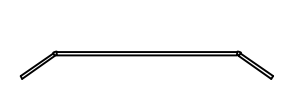


F5 x1

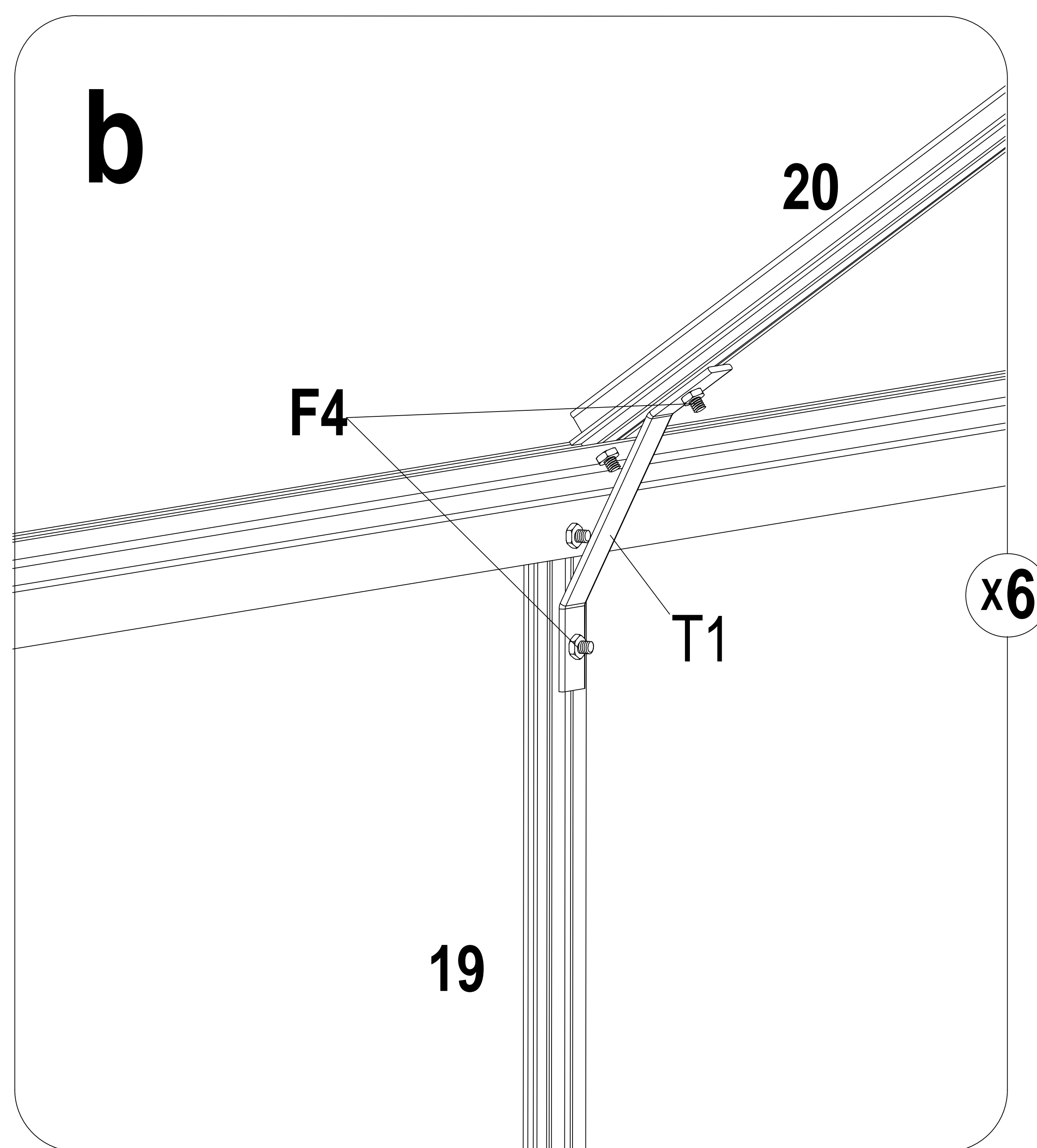
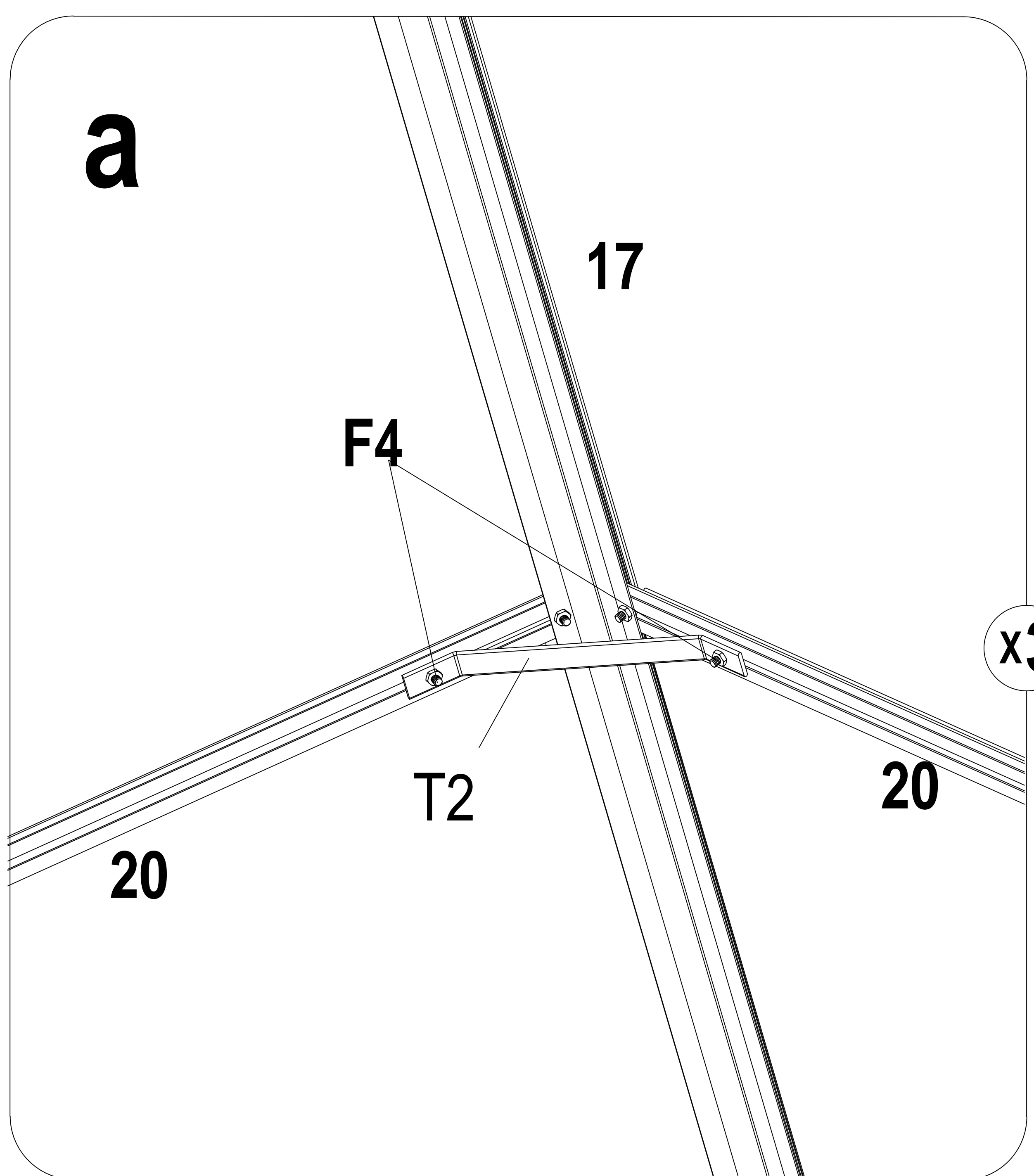
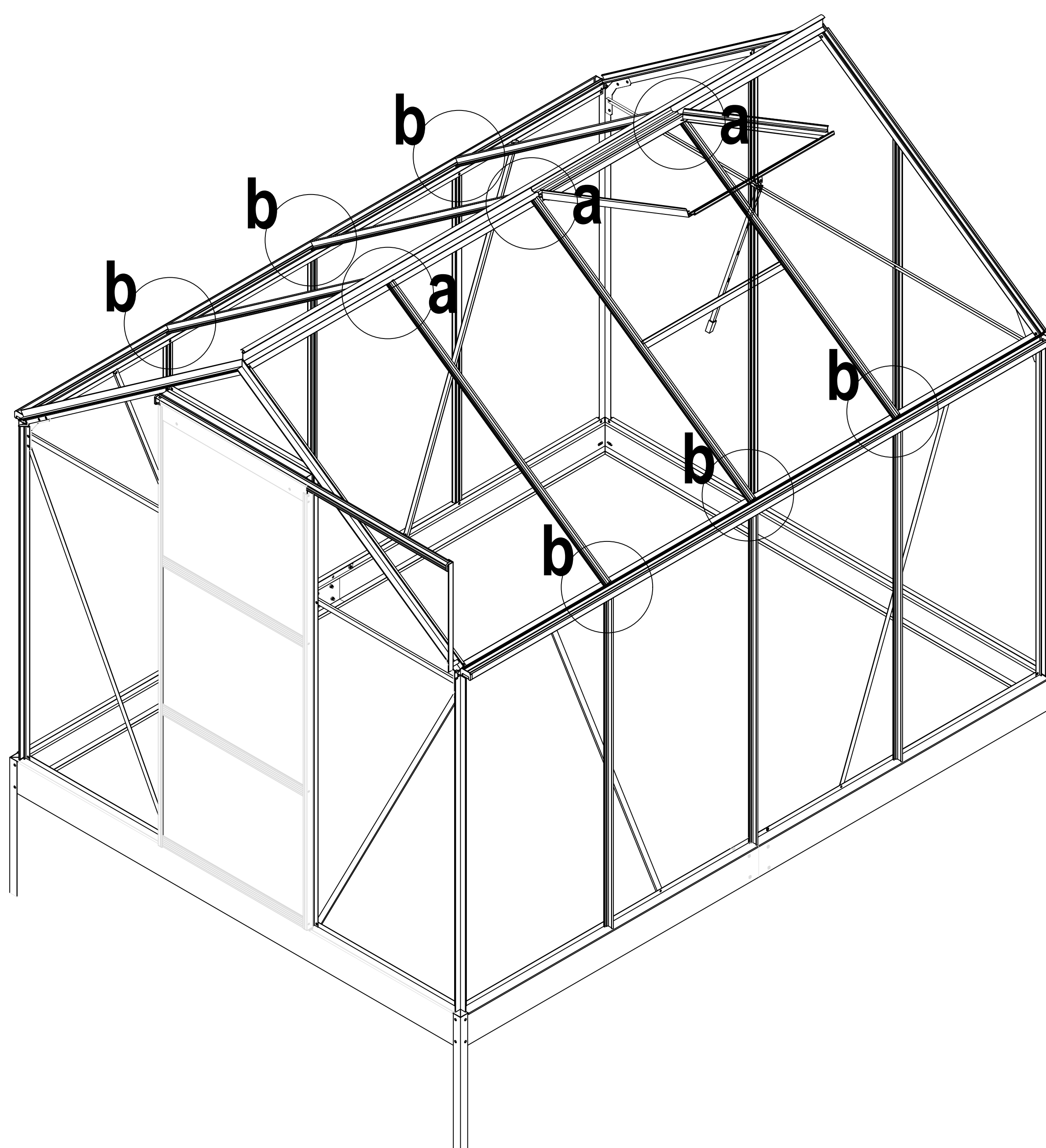
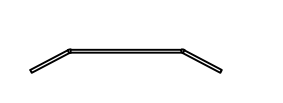


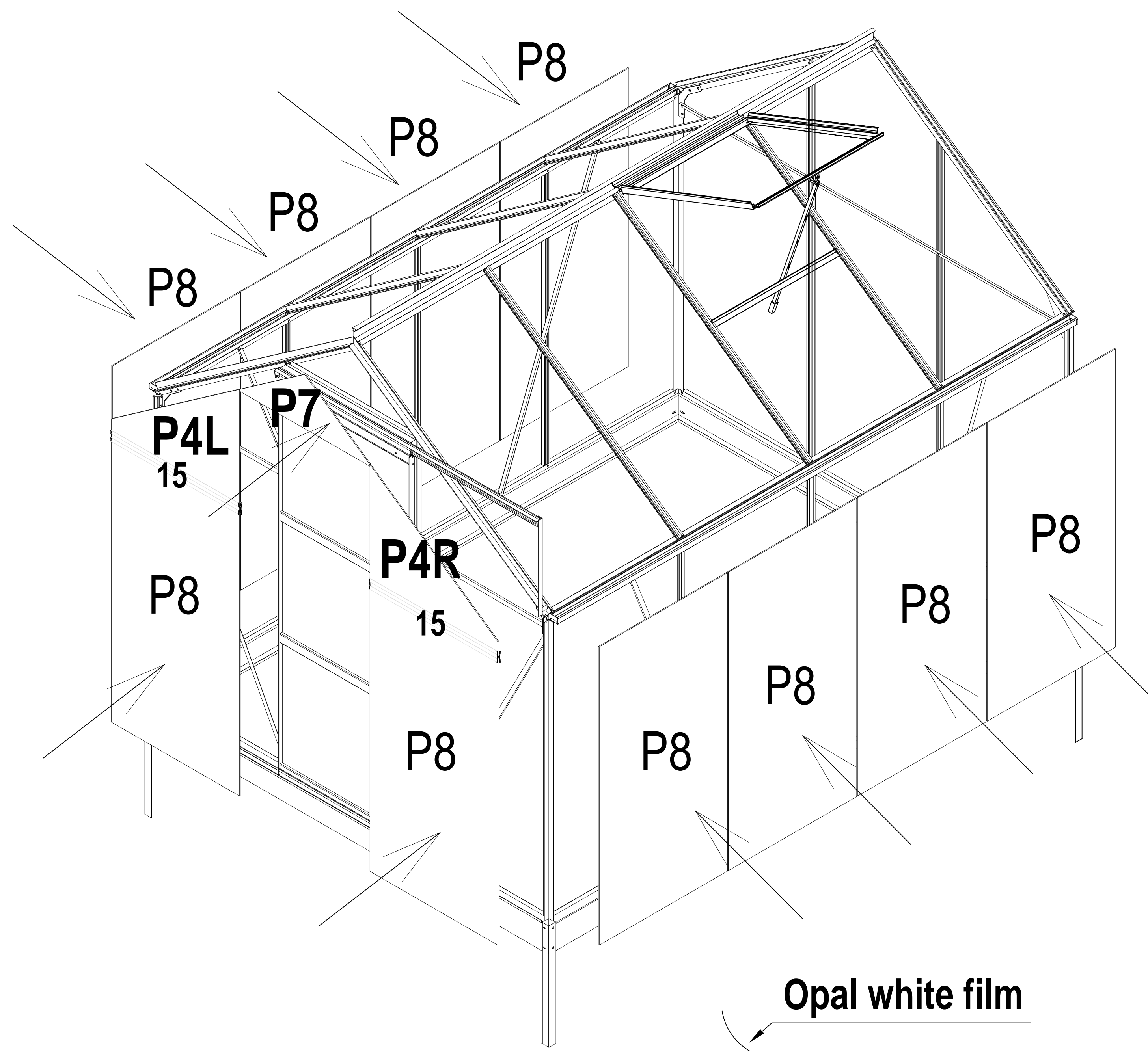
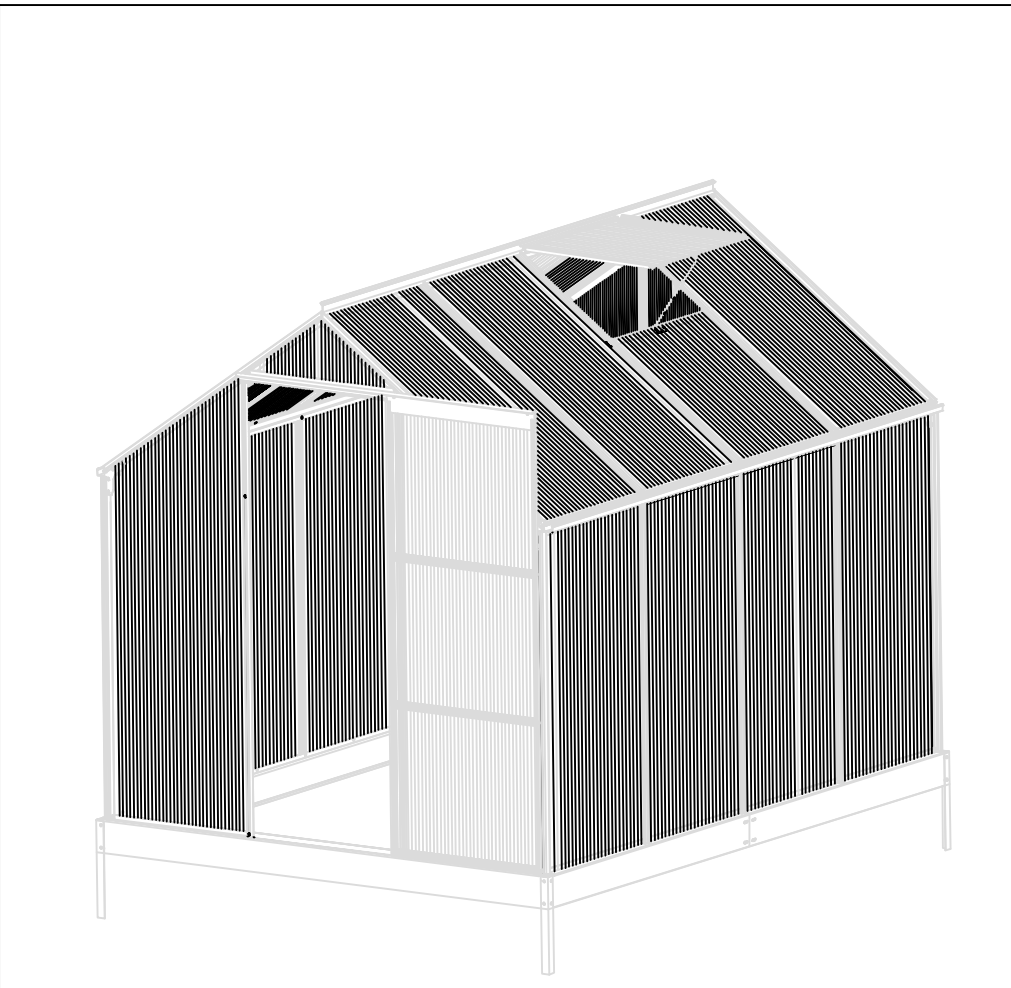


T1 x3

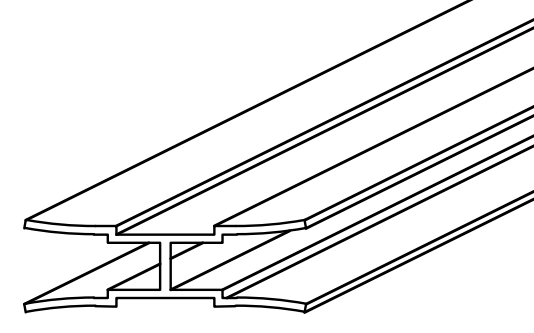


T2 x6

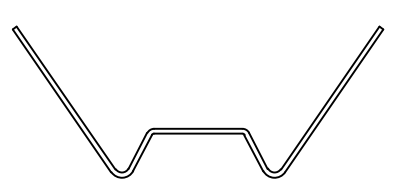




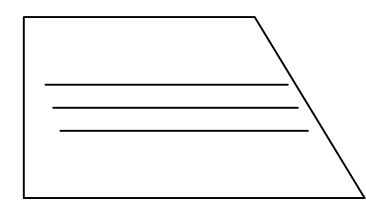
15 x5



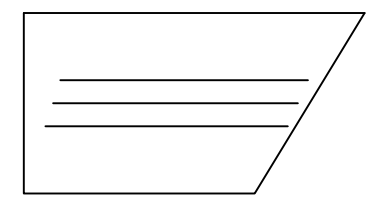
B3 x151



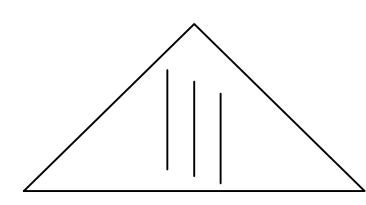
P4L x2



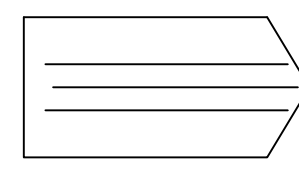
P4R x2



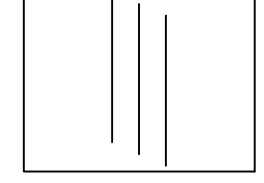
P7 x1



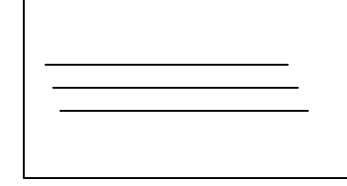
P6 x1



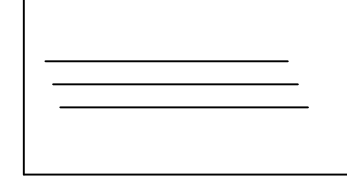
P10 x1



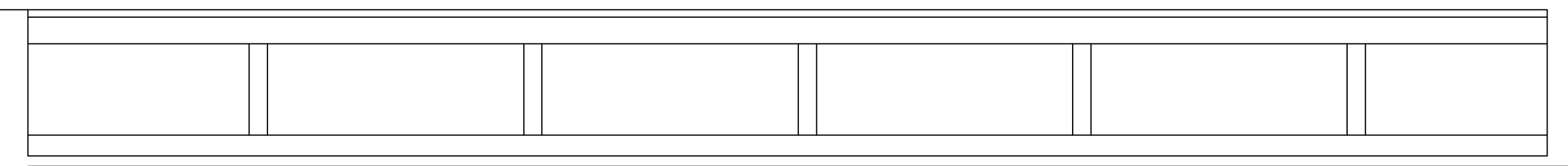
P8 x13



P9 x7



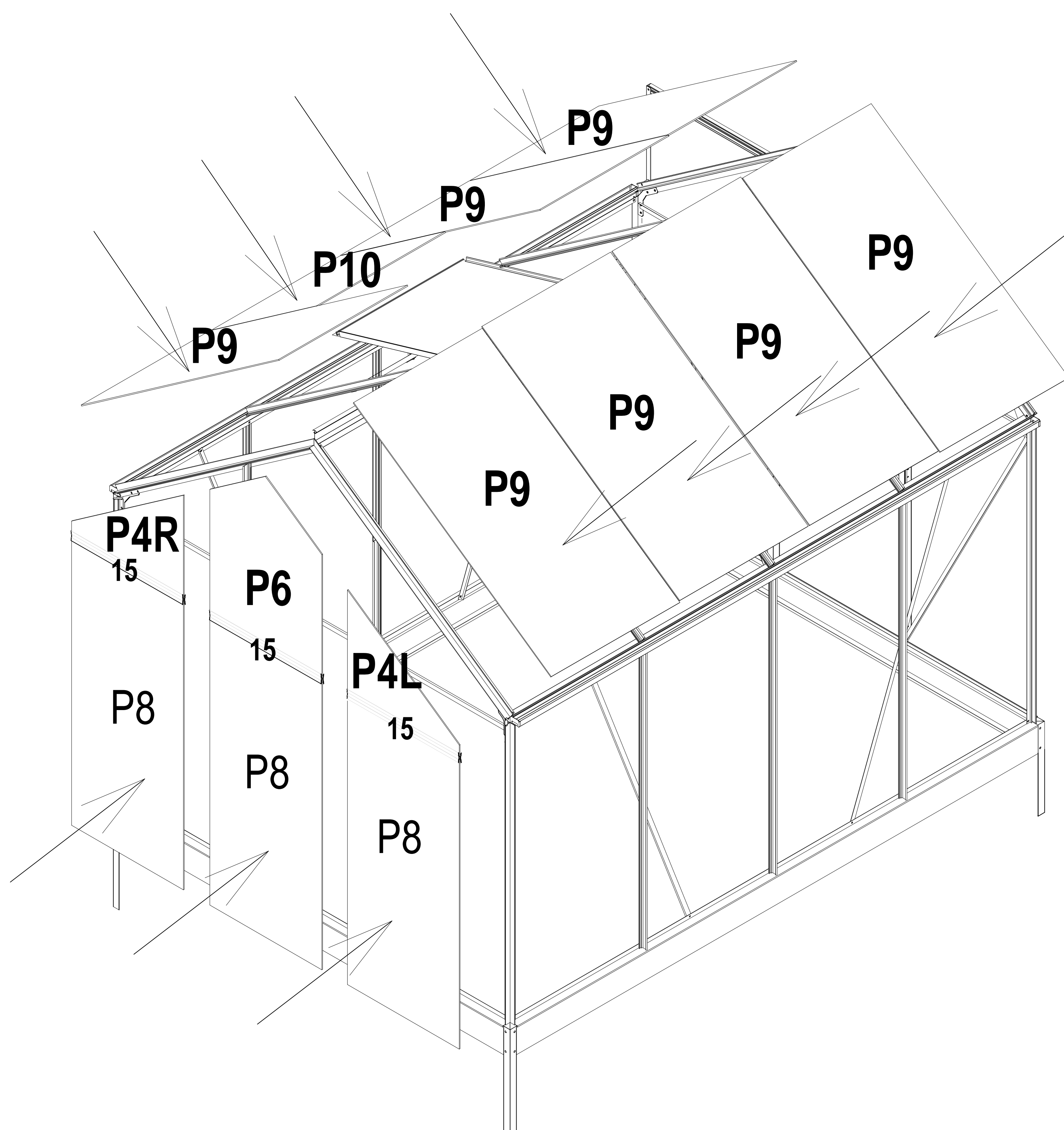
Opal white film

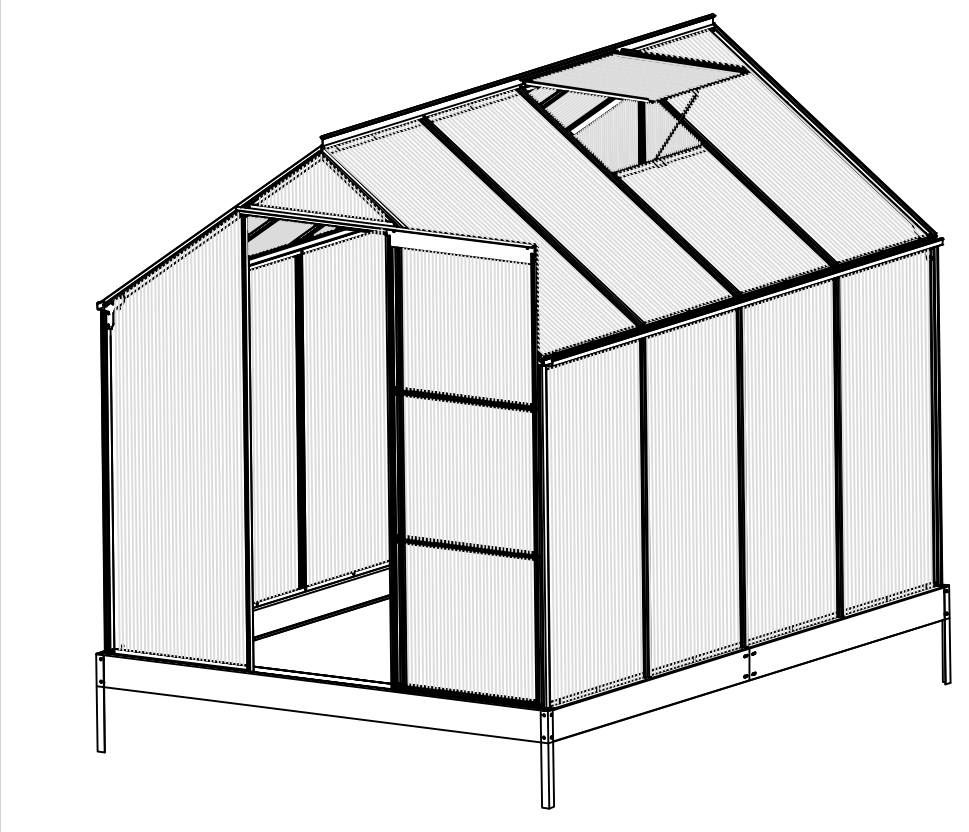


Transparent film

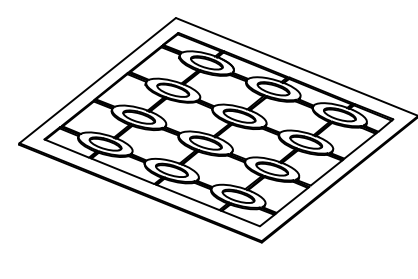


make one end of the clip into the groove and make it support to the profile, then force the other end make the clip tensional, put the other end into the groove.

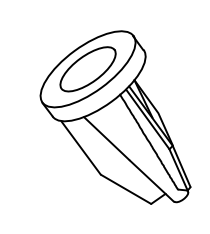




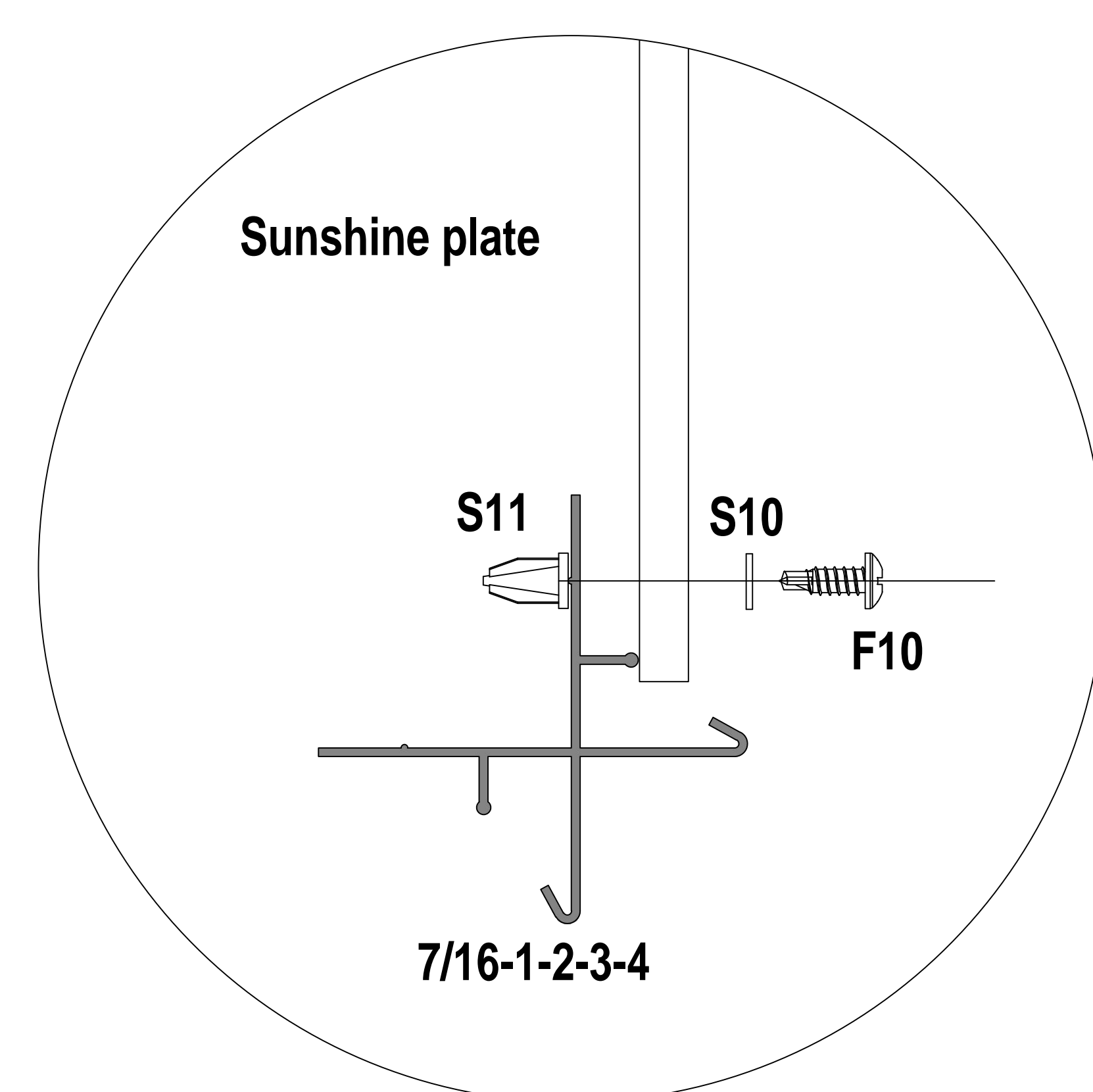
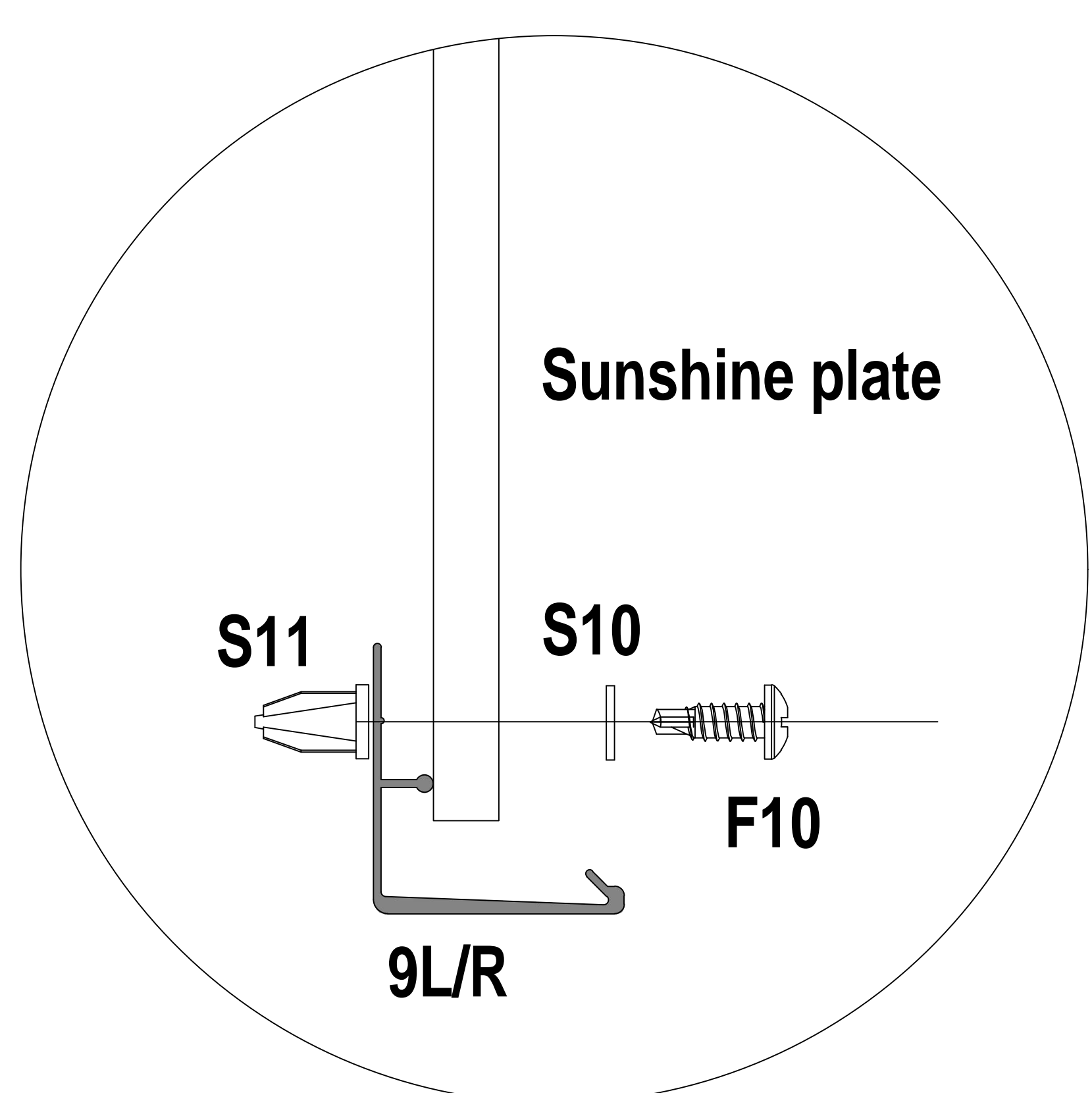
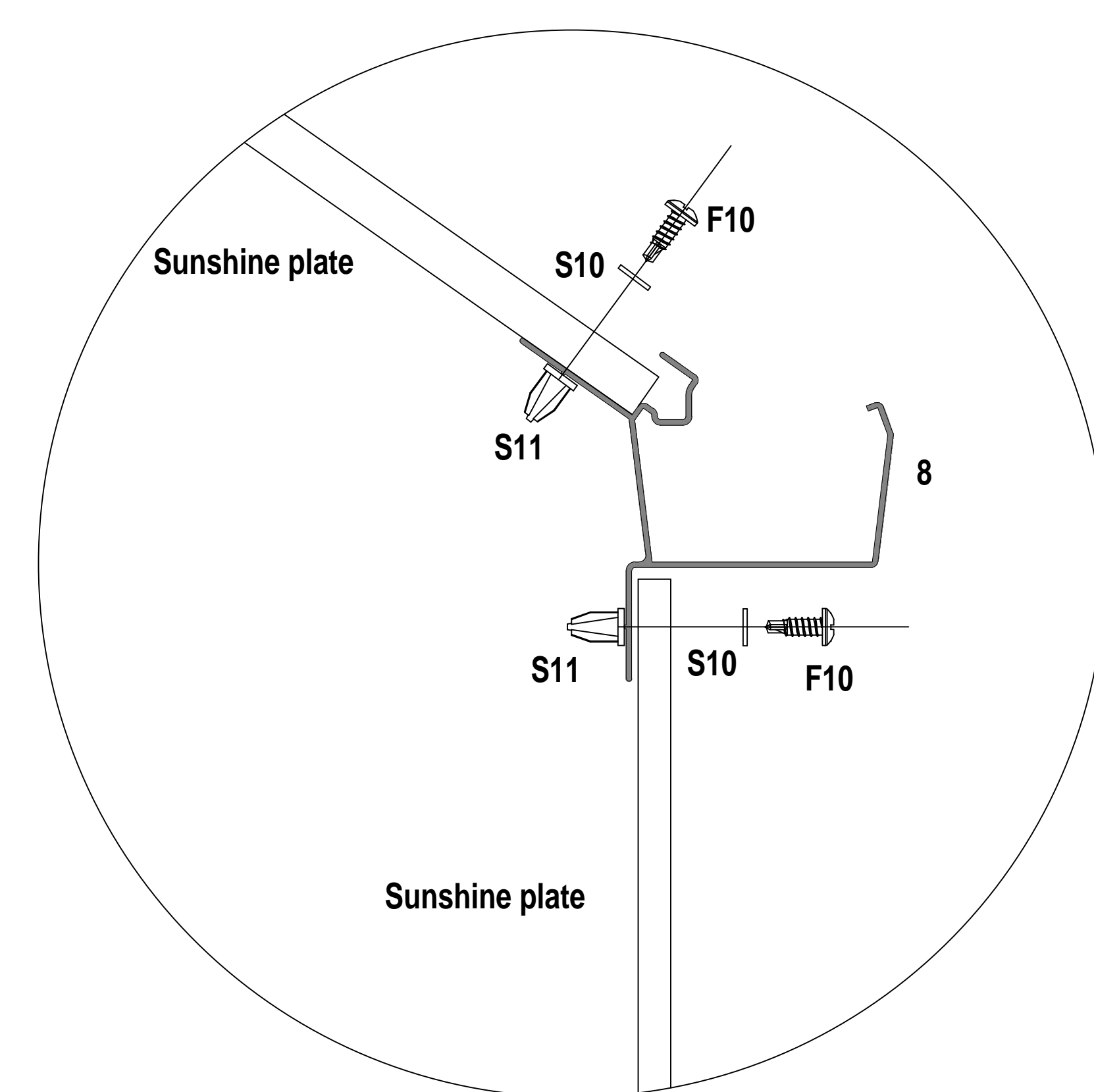
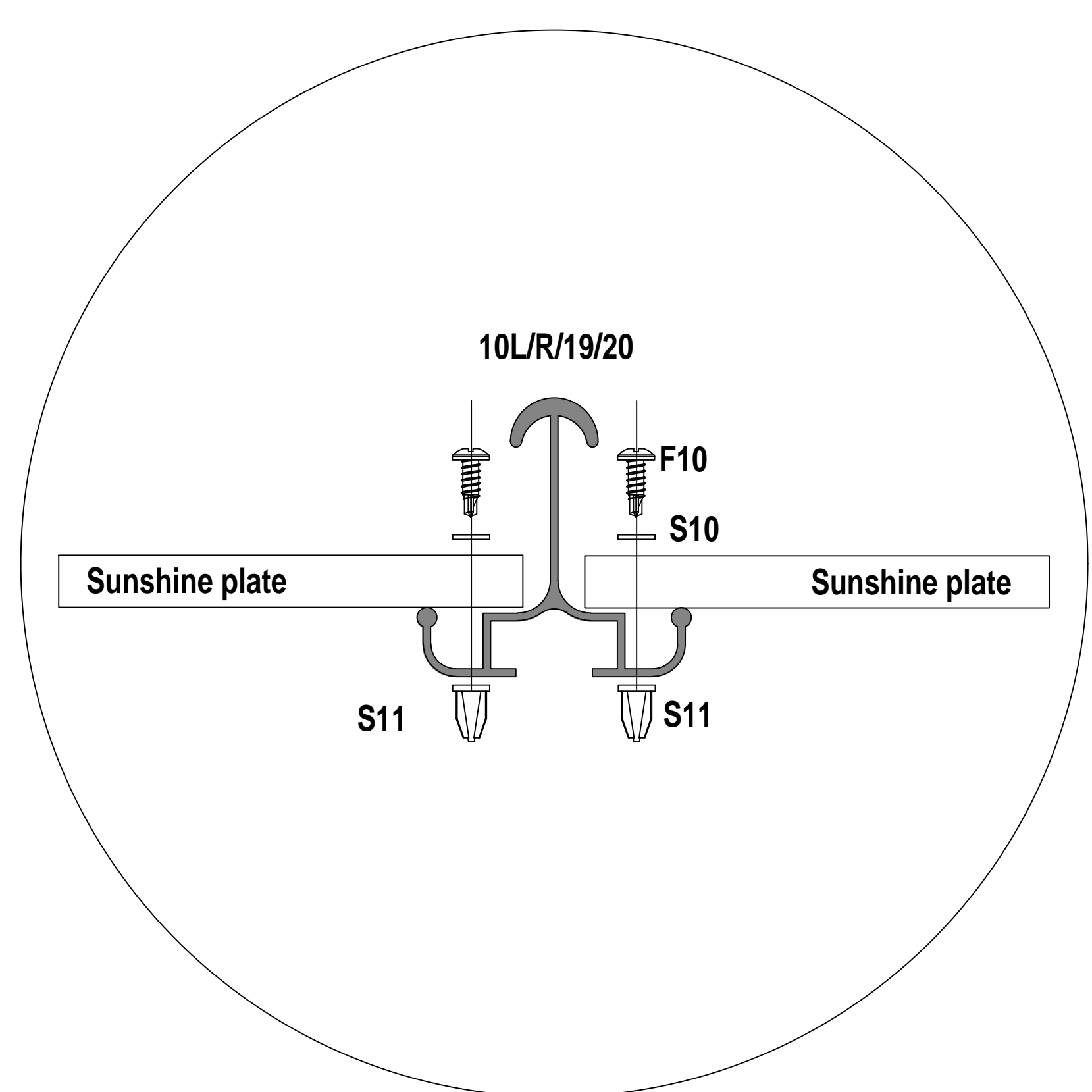
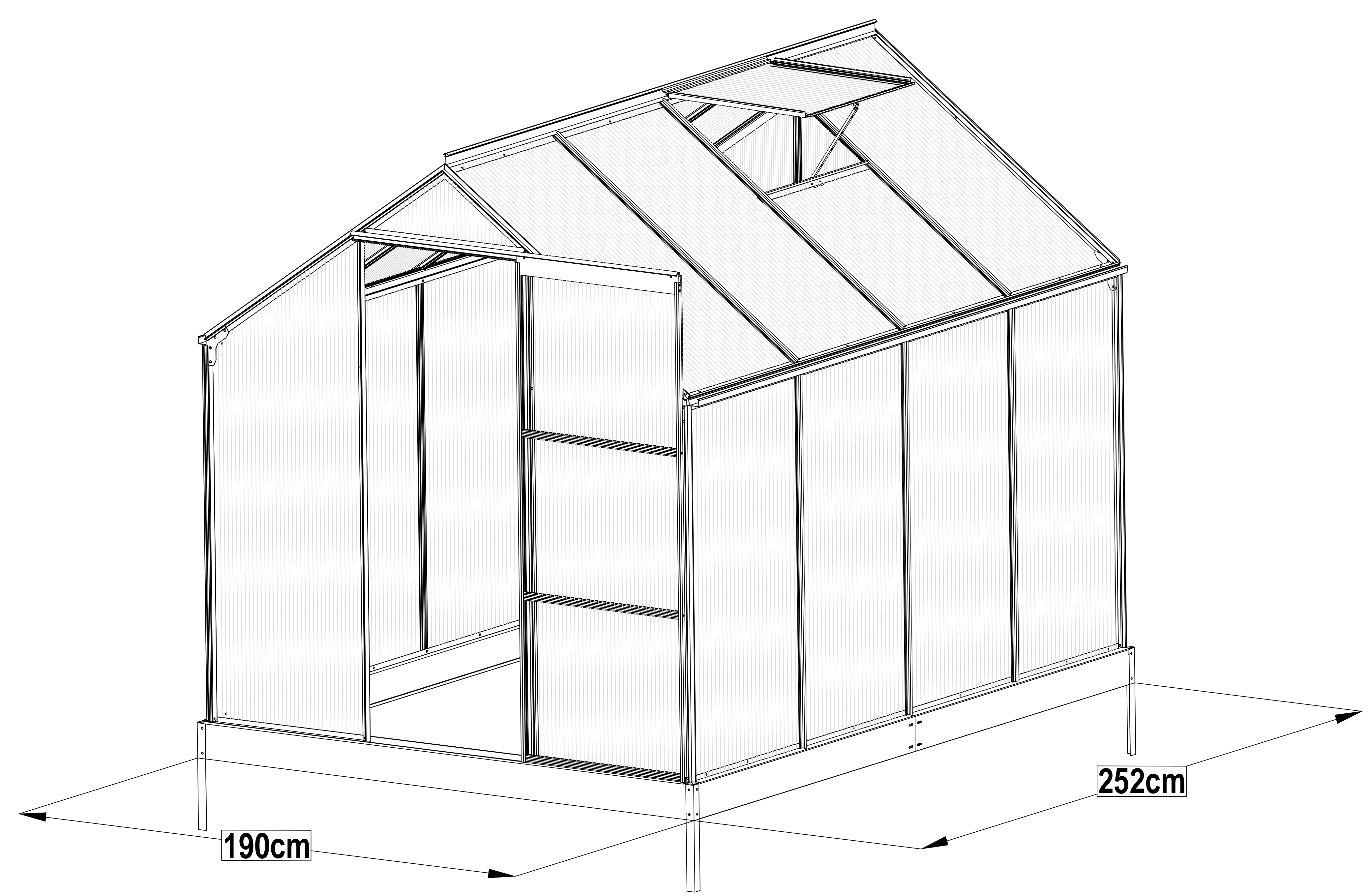
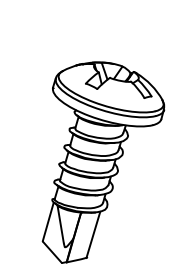
S10 x100



S11 x100



F10 x100



Contact information

Austria



Belgium



Croatia



Denmark



Estonia



Finland



France



Germany



Ireland



Italy



Latvia



Lithuania



Nederland



Norway



Poland



Portugal



Spain



Sweden



Switzerland



UK

