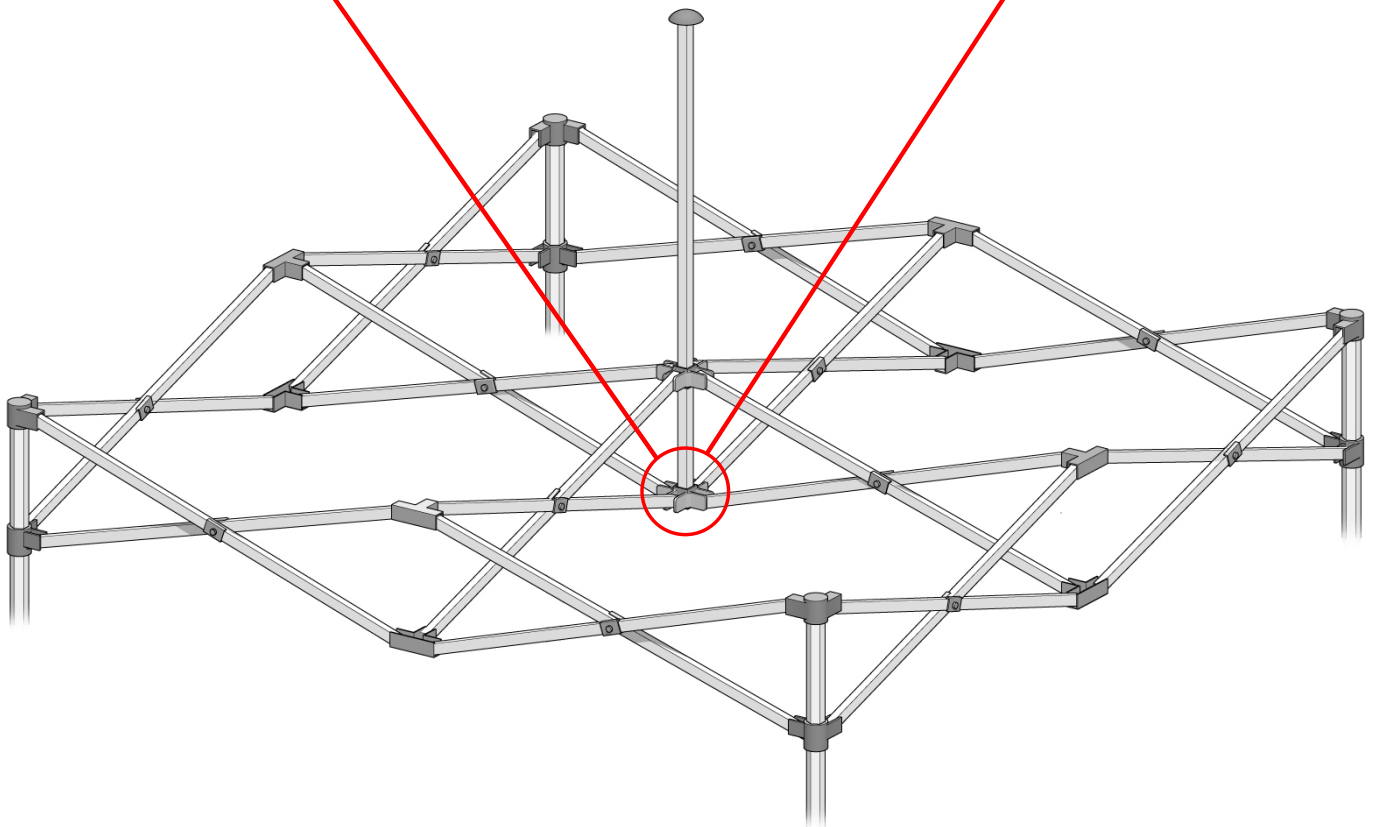
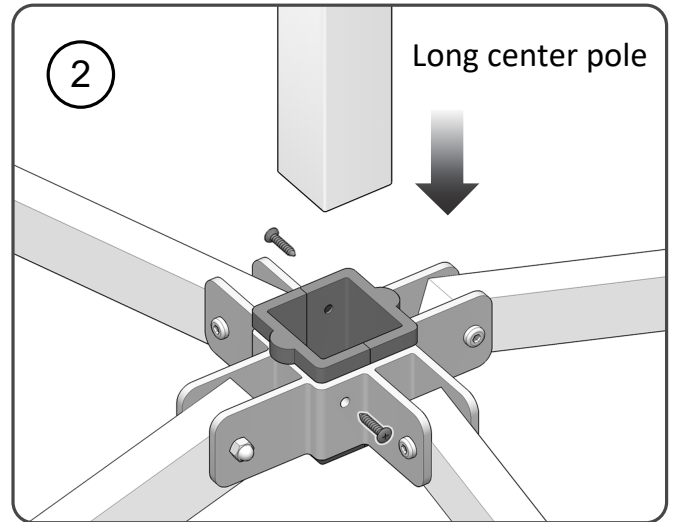
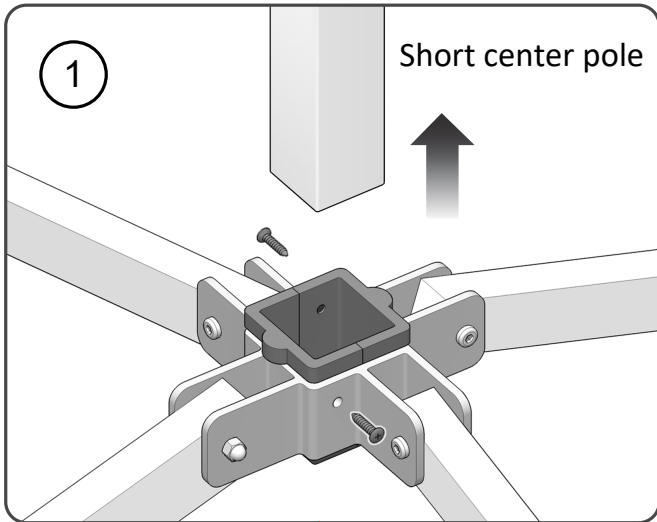


FLEX TENTS[®]



Manual
for
FlexTents Peak Pagoda,
Replacement of Center Pole

How to replace the center pole before set-up



Contact information

Austria



Belgium



Croatia



Denmark



Estonia



Finland



France



Germany



Ireland



Italy



Latvia



Lithuania



Nederland



Norway



Poland



Portugal



Spain



Sweden



Switzerland



UK

