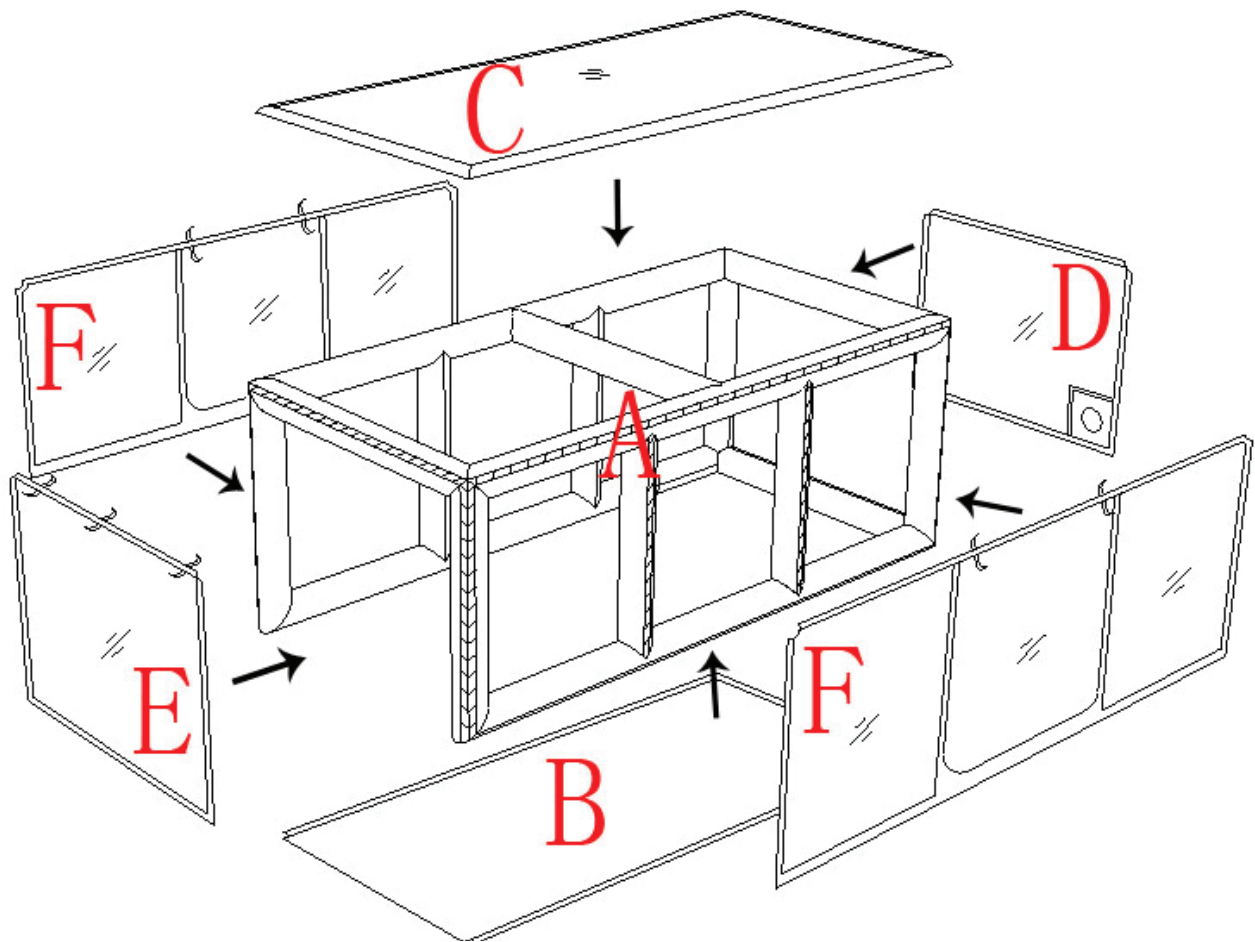


DANCOVER[®]



Manual
for
Inflatable Garage



A: Inflatable frame

B: Ground cover

C: Roof cover

D: Back endwall

E: Front endwall

F: Sidewalls

Installation Instructions:

1. Lay out the ground cover (part B)
2. Lay out the frame (part A) so it fits the groundcover, place air valves at the front end
3. Open the air valves and mount the roof cover (part C)
4. Inflate the frame with the air blower using both air valves
5. Adjust the ground cover by attaching it to the Velcro on the frame
6. Mount the sidewalls (part F)
7. Mount the front and back endwall (part D and E)

DANCOVER[®]

.com

Contact information

Head office:

Dancover A/S
Nordre Strandvej 119 G
3150 Hellebæk
Denmark

For more information
please visit:
www.dancovershop.com

National contact

Denmark: 70 26 76 20
denmark@dancover.com

UK: 020 8099 7570
uk@dancover.com

Germany: 041 0266 7040
germany@dancover.com

France: 0975 181 800
france@dancover.com

Sweden: 040 233 262
sverige@dancover.com

Finland: 0 931 581 720
suomi@dancover.com

Poland: 22 300 8602
polska@dancover.com

Luxembourg: +49 041 0266 7040
luxembourg@dancover.com

Portugal: 308 800 899
portugal@dancover.com

Spain: 911 436 828
espana@dancover.com

Italy: 02 479 21 198
italia@dancover.com

Switzerland: 0840 000125
schweiz@dancover.com

Austria: 0662 626935
austria@dancover.com

Norway: 231 00 690
norge@dancover.com

Nederland: 0 858 880 524
nederland@dancover.com

Ireland: 0 151 33 003
ireland@dancover.com

Belgium: 0 28 08 08 09
belgique@dancover.com