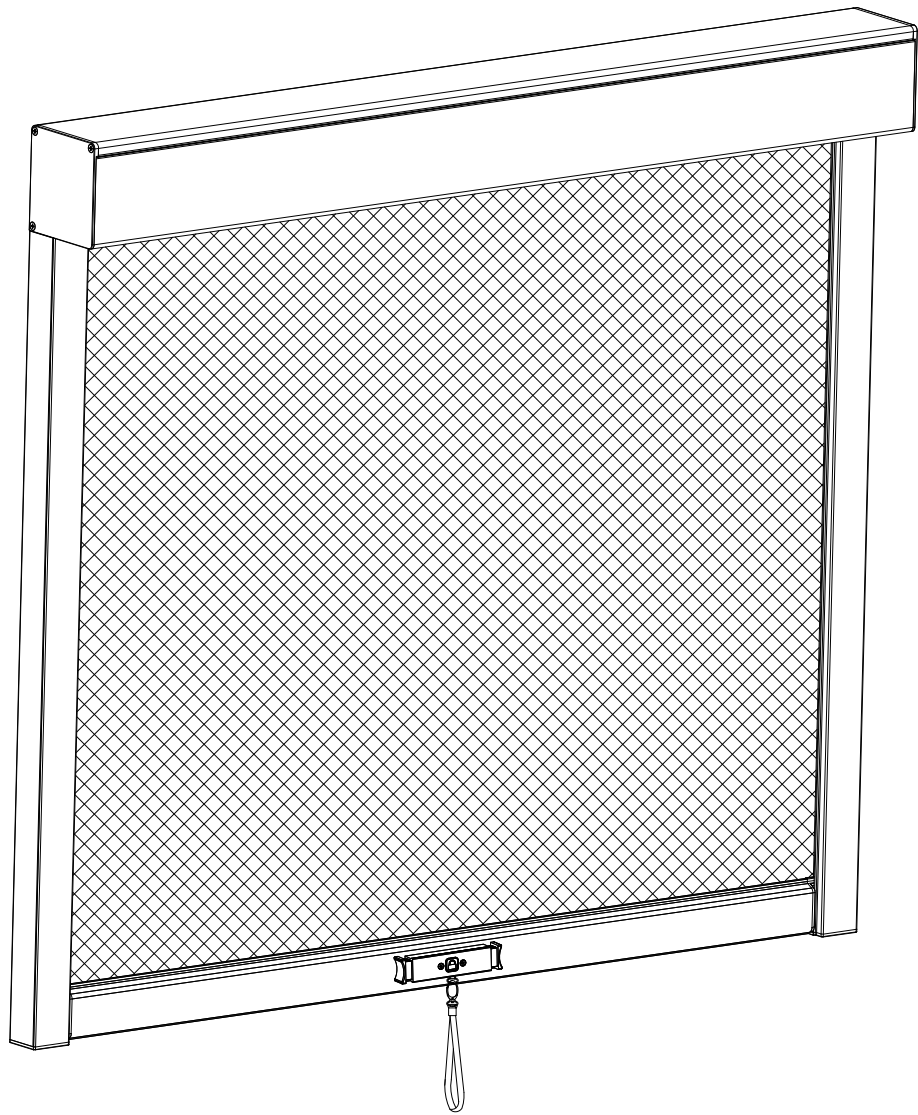


**DANCOVER<sup>®</sup>**

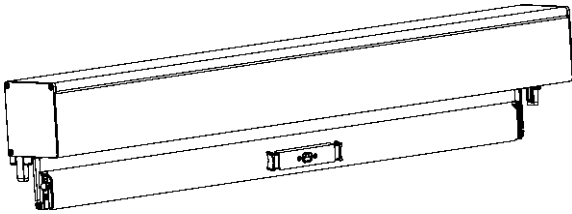
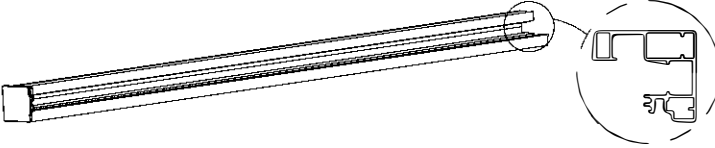

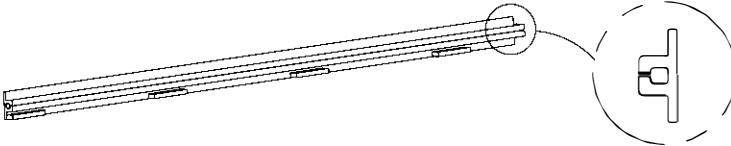
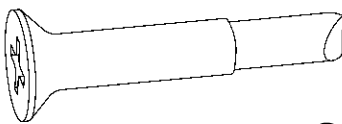


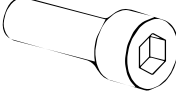

**.com**

Manual  
for  
Pull Down Screen/Sidewall  
for  
Gazebo San Pablo

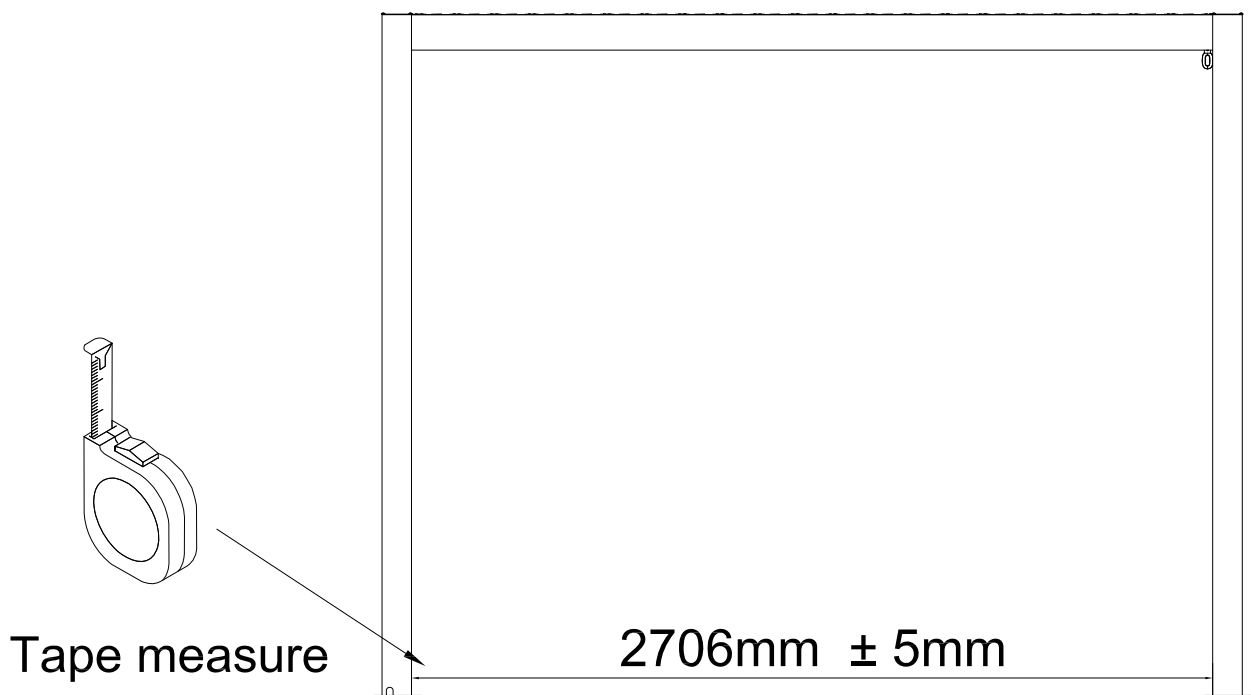
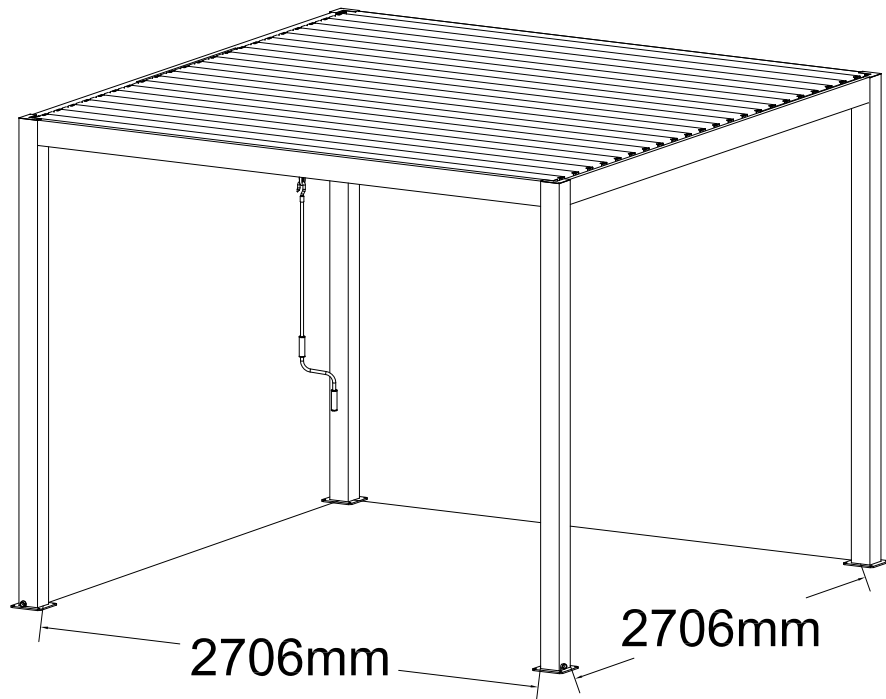
# Installation Instructions



# Part List

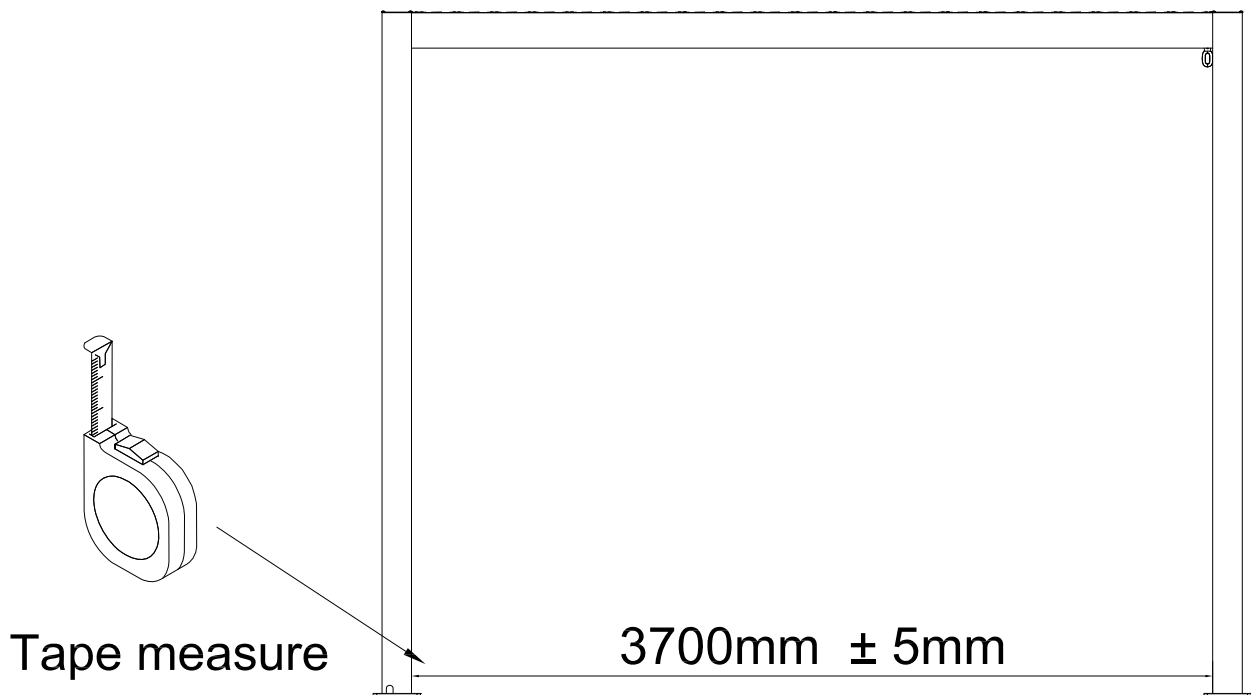
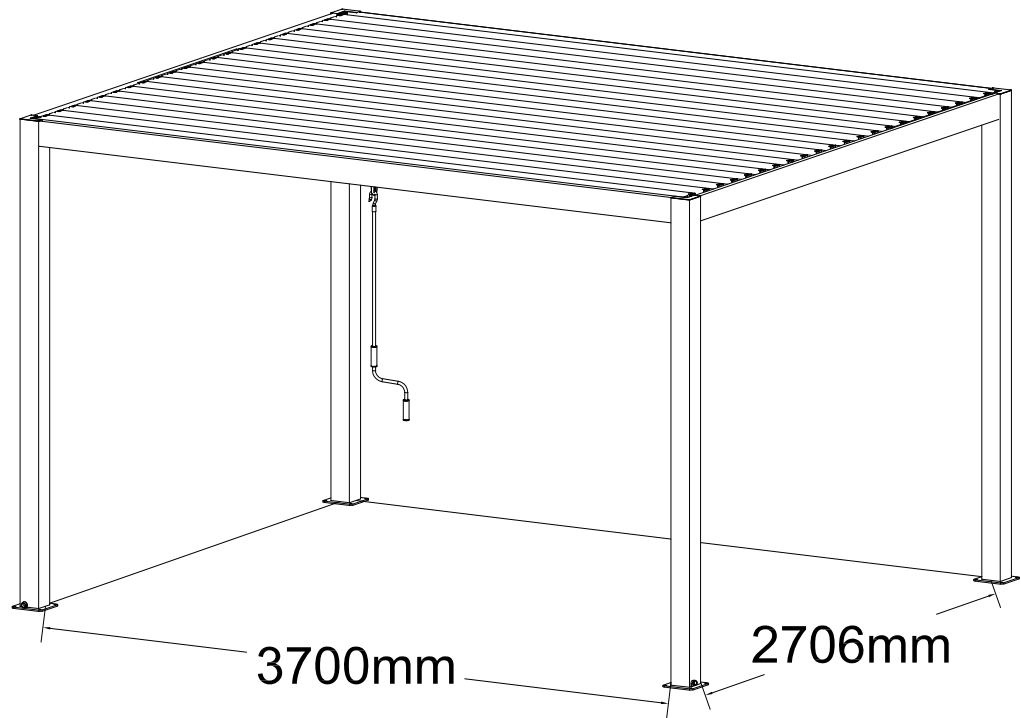
REF	NAME	PHOTO	QTY
A	Main Assembly		1
B	Fixed Track Assembly		2
C	Mobile Track Assembly		2
D	Tensioning Plastic Profile		2
E	Self-tapping & Self-drilling Screw	 ST4.2 * 25	6
F	Rope		1
G	Instructions		1
H	Hexagonal socket head cap screw	 M4*6	6
I	Allen key 3#		1

1.1 The content of this page is a schematic diagram of the installation size of the side curtain with a supporting 3M(10ft) side. If you purchased a side curtain with a supporting 4M(13ft), please ignore this page and refer to the next page.



Define installation distance. Measure the distance X at the base of the column, and the difference between the dimension of X and the marked dimension is  $\pm 5\text{mm}$ .

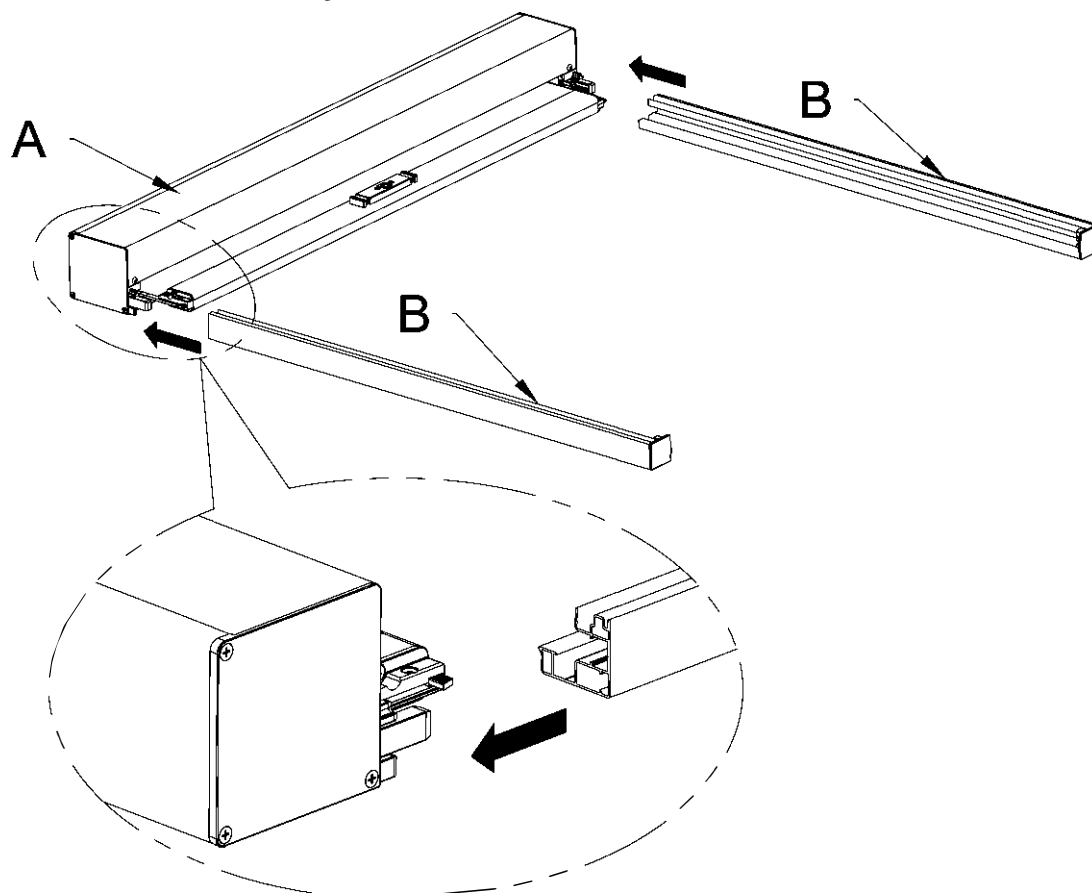
1.2 The content of this page is a schematic diagram of the installation size of the side curtain with a supporting 4M(13ft) side.



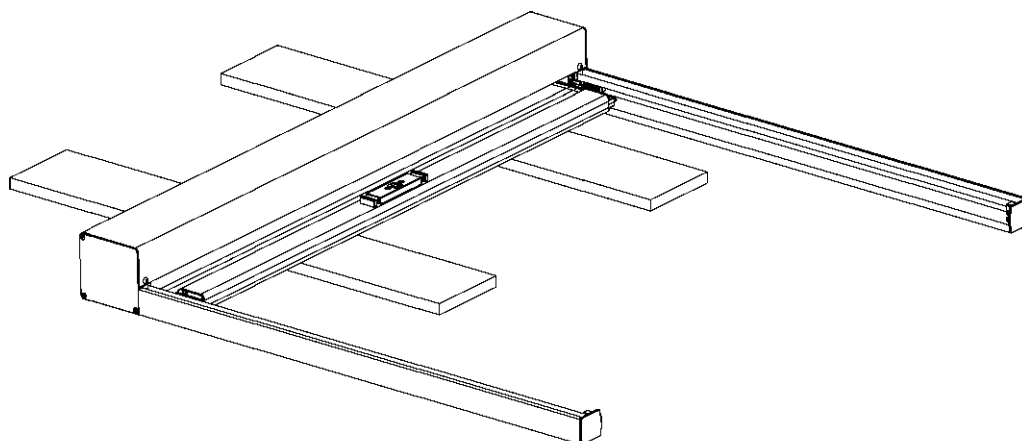
Define installation distance. Measure the distance X at the base of the column, and the difference between the dimension of X and the marked dimension is  $\pm 5\text{mm}$ .

## 2. Assemble and fix the track and main body.

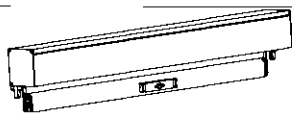
As shown in the figure , insert two fixed track assemblies into the convex angles of the left and right end covers of the main assembly.



Attention: Please place sleepers or cardboard underneath the product when placing it flat to prevent extensive scratches on the surface of the product.



A

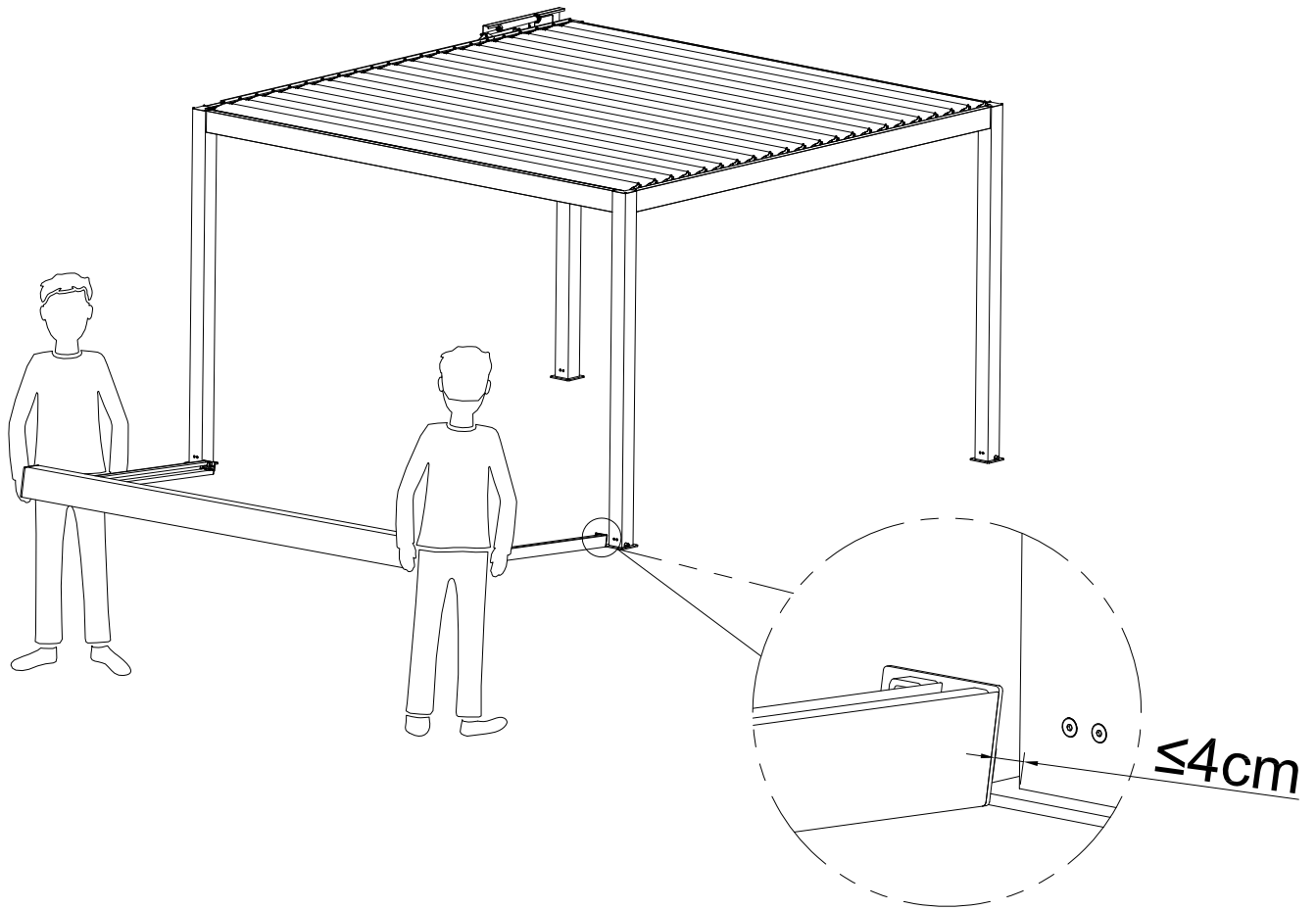
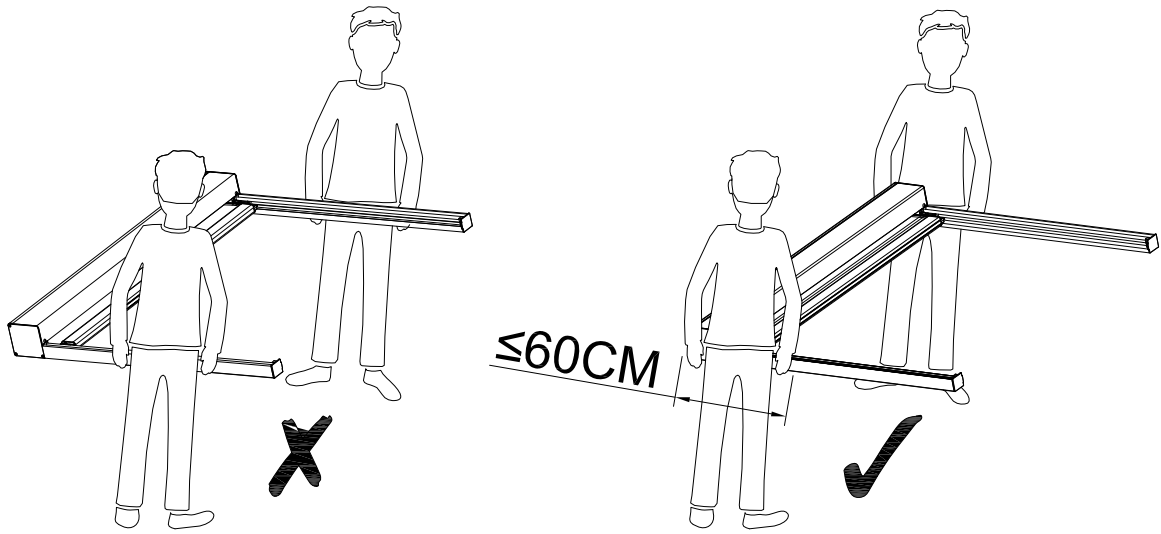


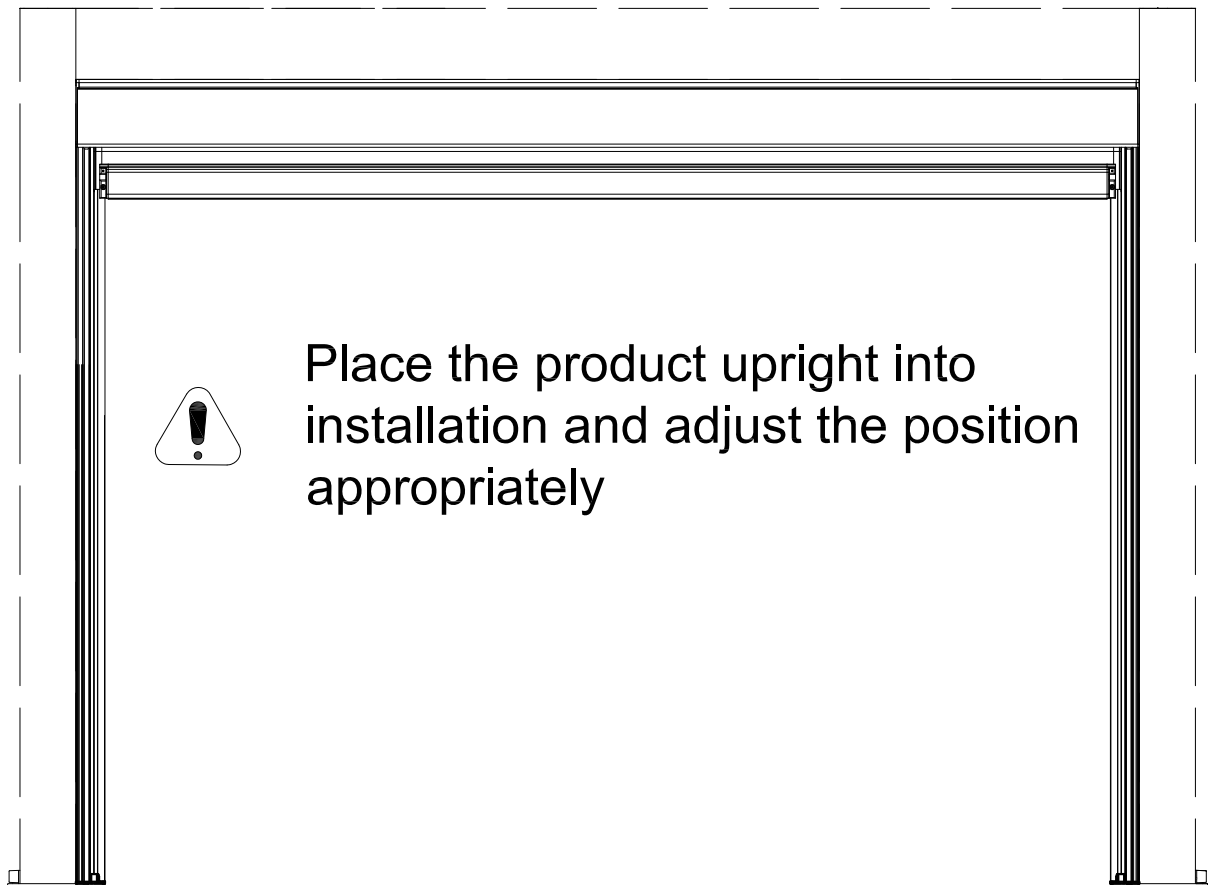
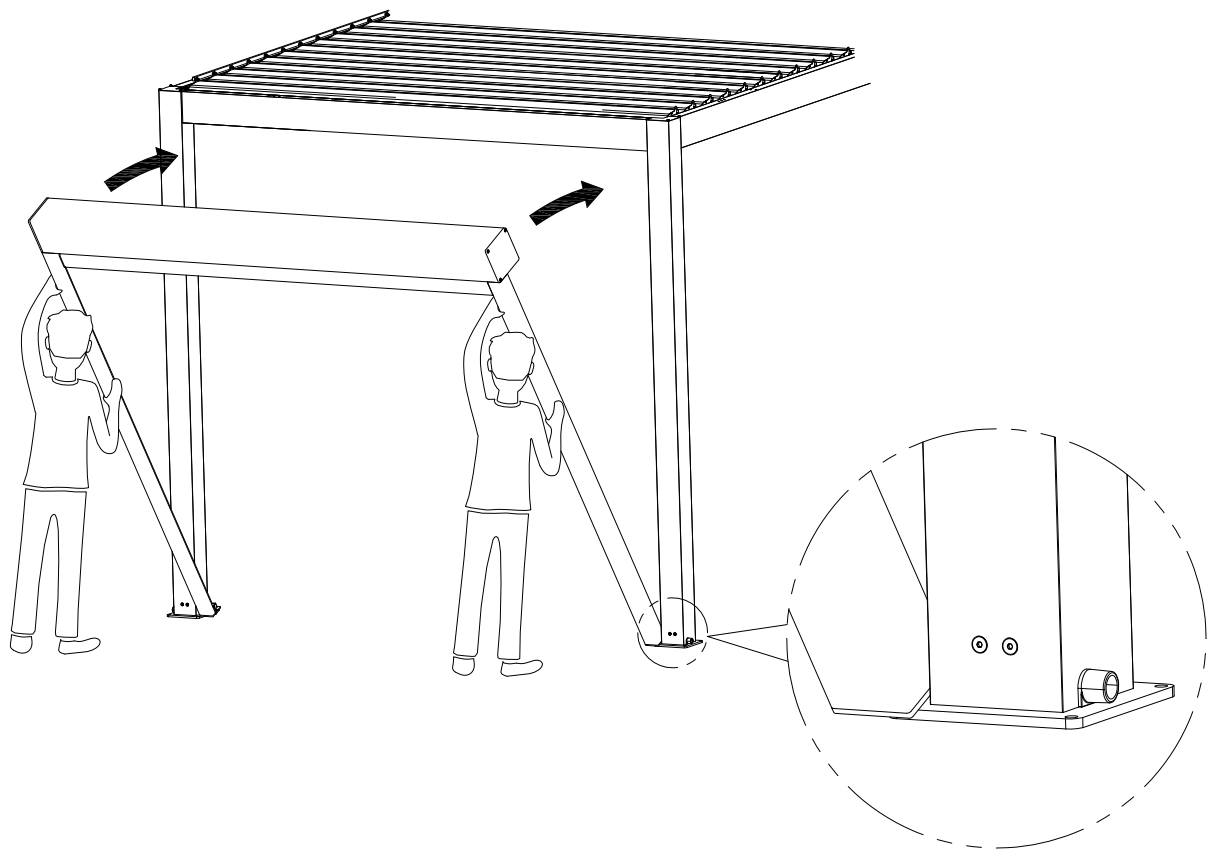
1 SET

B



2 PCS



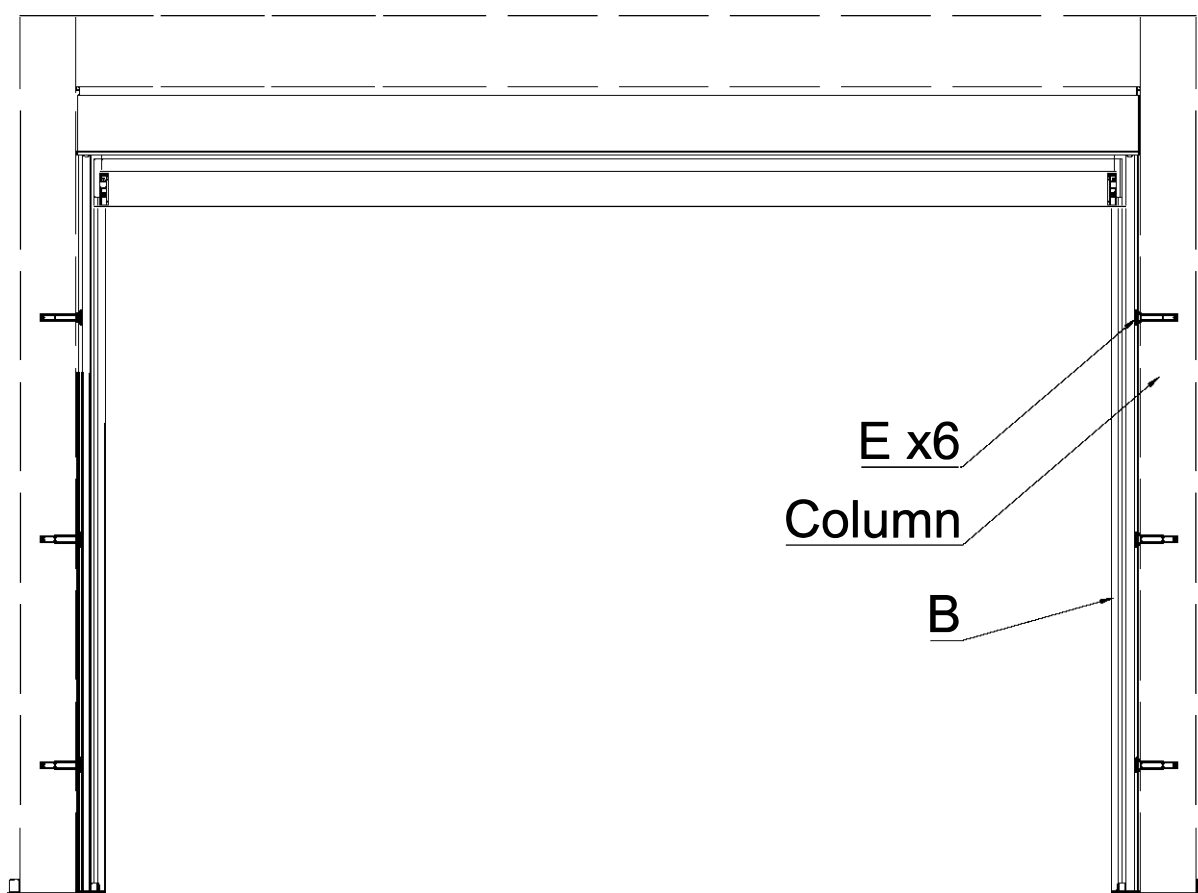




### 3. Fix the product.

Installation method:

Two guide rails are installed on both sides of the column.



E

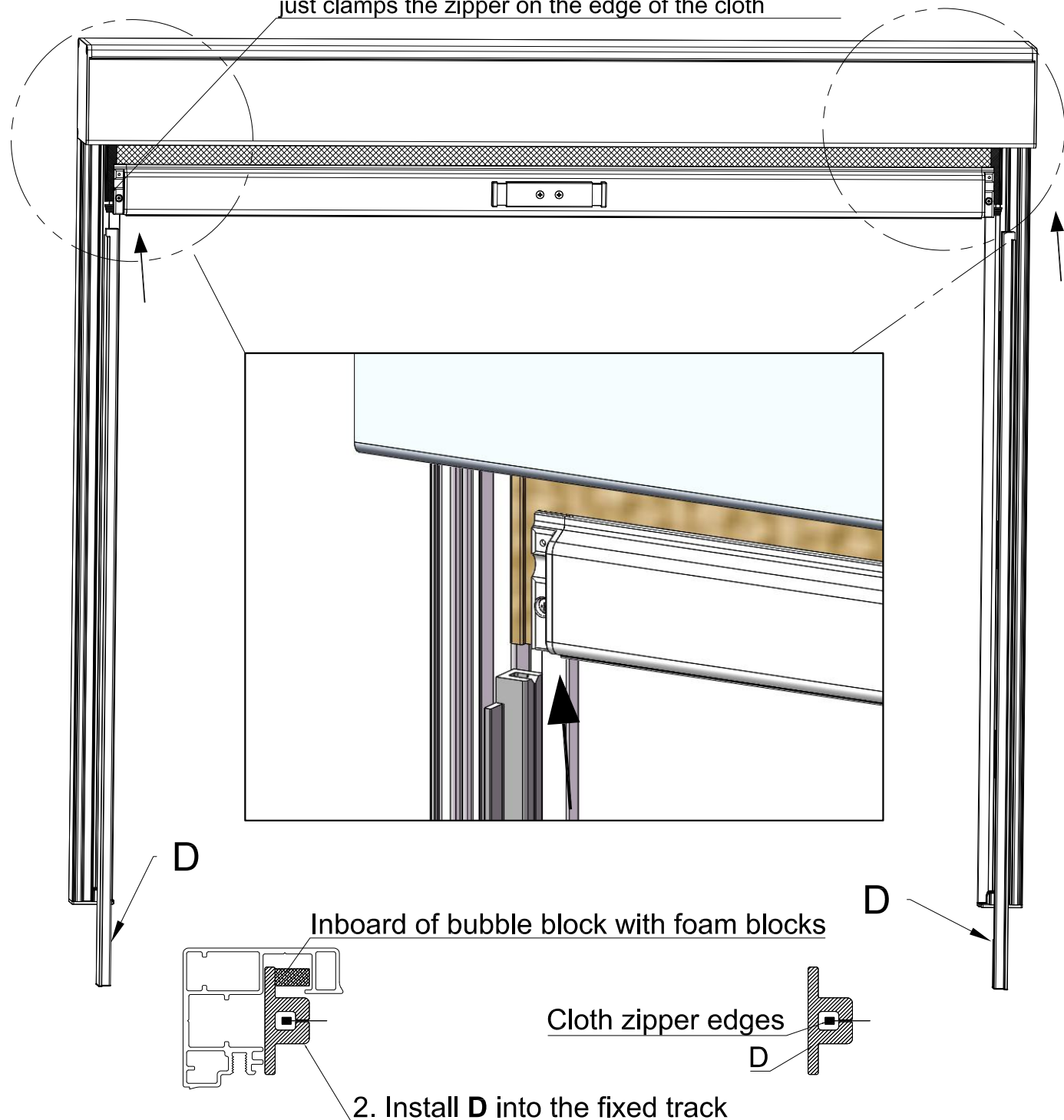


6 PCS

## 4. Install the plastic sandwich profile.

As shown in the figure, the left and right plastic profiles are clamped with the fabric surface at the edges of the zippers on both sides, and placed vertically in the installation assembly.

1. Insert the opening of the plastic profile into the cloth surface, so that the opening of the plastic profile just clamps the zipper on the edge of the cloth



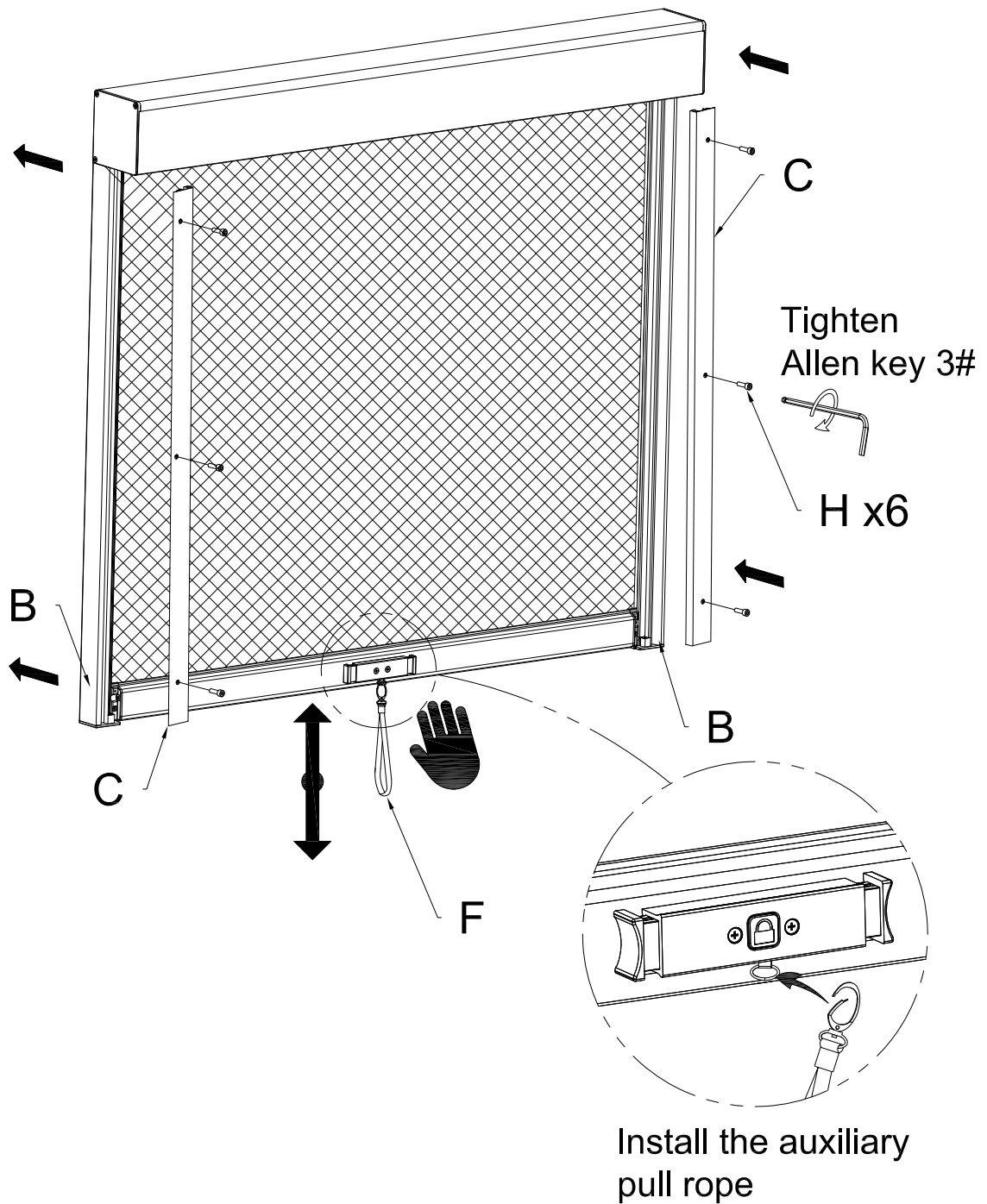
D



2 PCS

## 5. Install the mobile track.

As shown in the figure, open all fabrics and adjust their left and right positions, ensuring that all ends of the fabrics are completely locked inside the plastic profile.



C



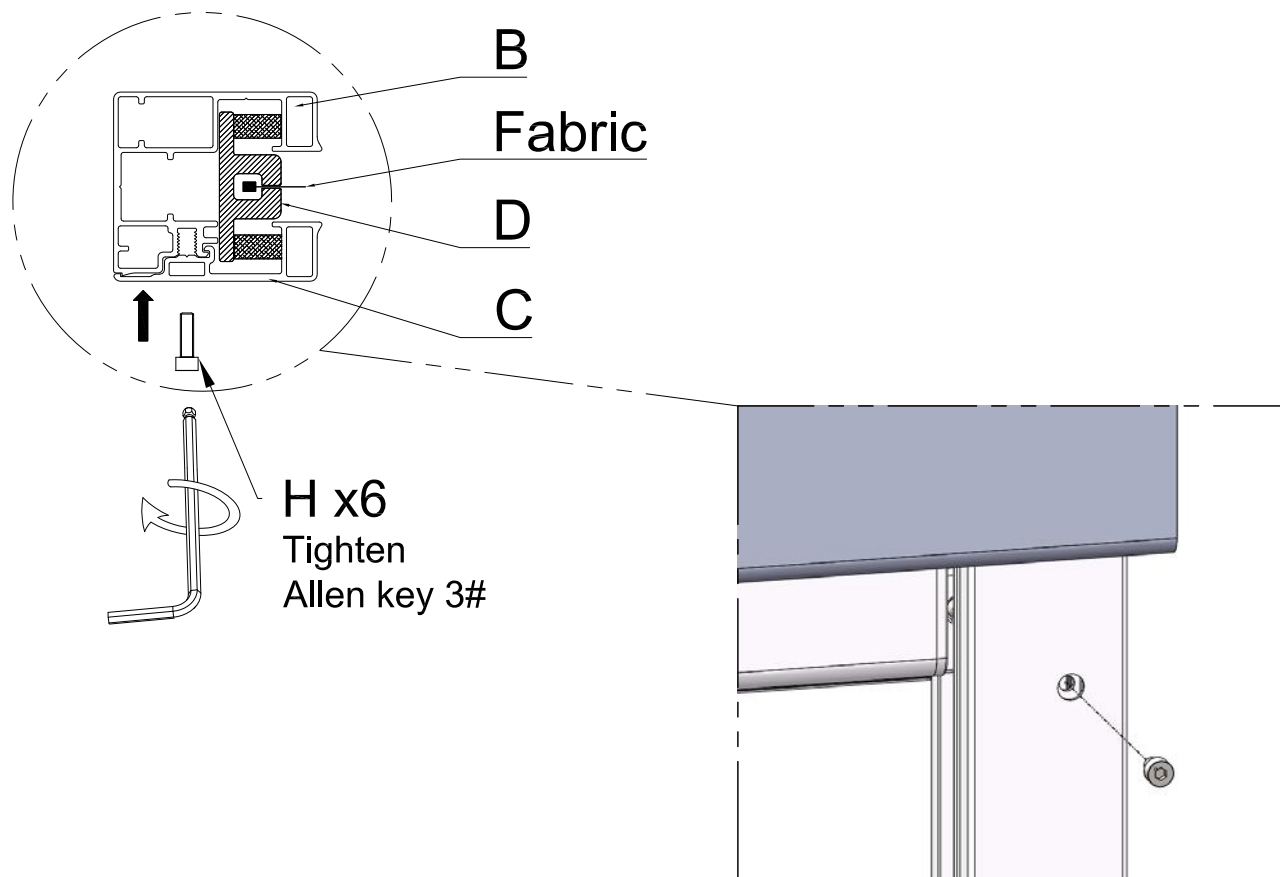
2 PCS

F



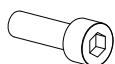
1 PC

## Schematic diagram of the track section



**Note:** The mobile track must be installed in place. You can gently tap from bottom to top with a wooden mallet or rubber mallet to make the mobile track fully engaged with the fixed track as shown in the cross-sectional diagram above.

H



6 PCS

I

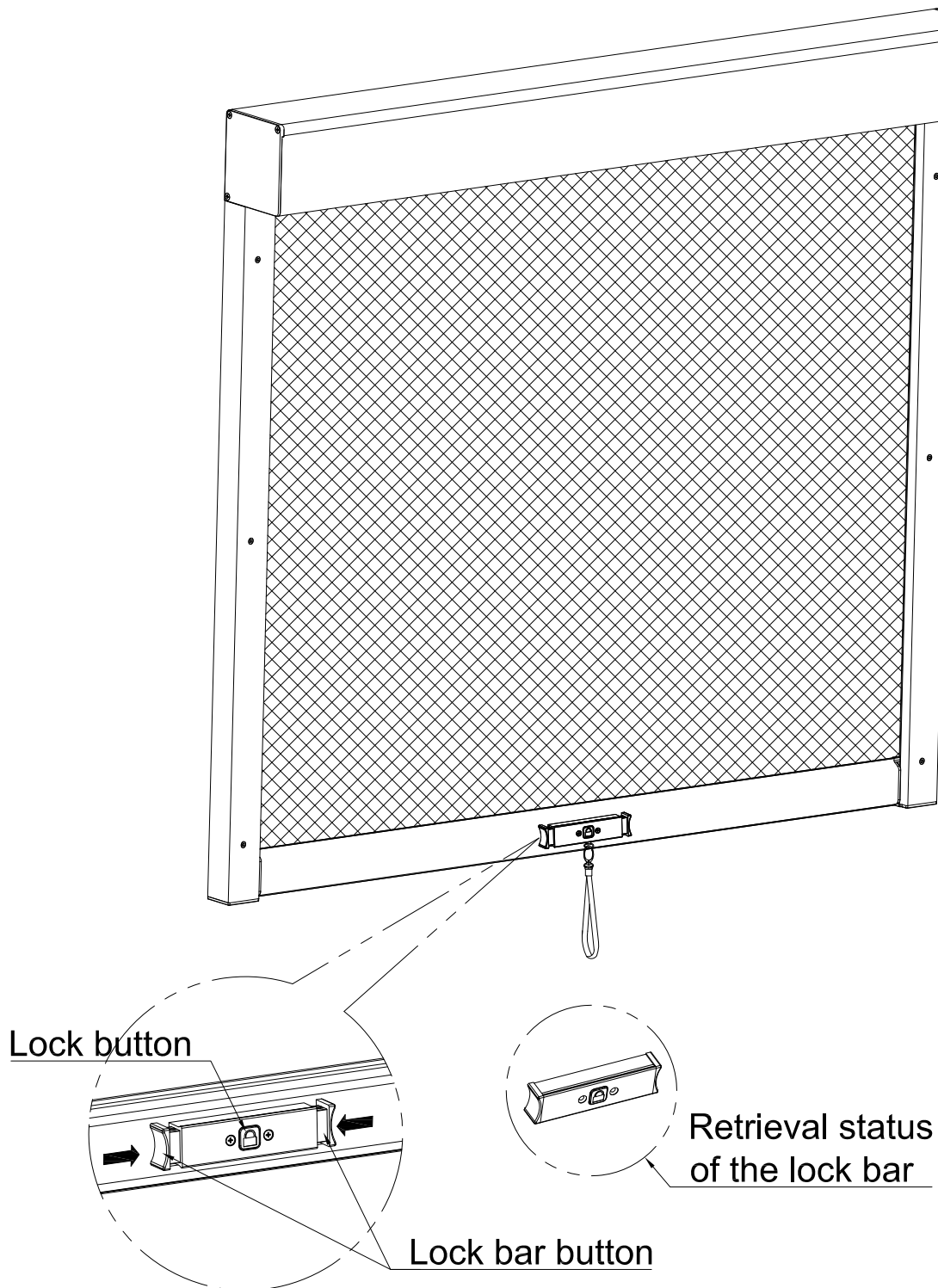


Allen key 3#

## 6. Operational Instructions.

As shown in the figure, pull up and down on the middle part of the lower edge to open or close the fabric. Press the buckle button when pulling to the lowest point to lock the lower edge.

To unlock the lower edge, press the latch bar button to put it in the retracted state, at which point the lower edge can move upwards.



## Contact information

Austria



Belgium



Croatia



Denmark



Estonia



Finland



France



Germany



Ireland



Italy



Latvia



Lithuania



Nederland



Norway



Poland



Portugal



Spain



Sweden



Switzerland



UK

