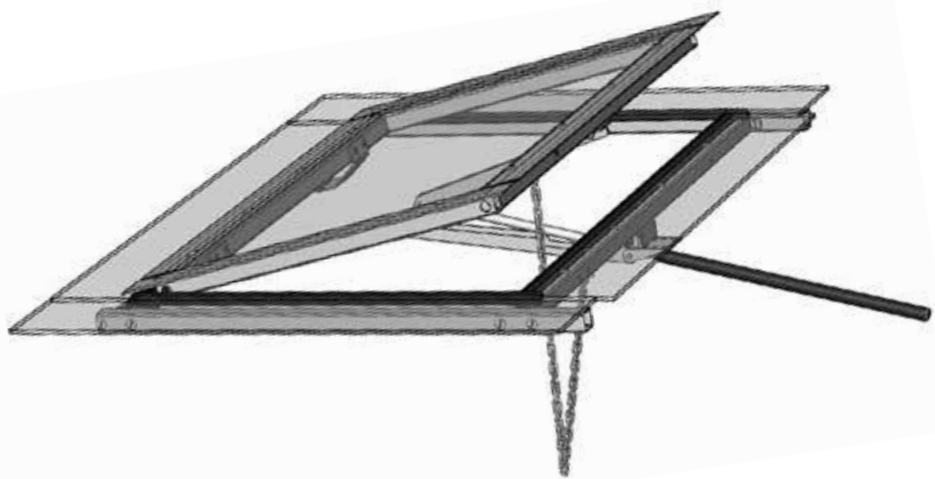



























DANCOVER[®]



Manual
for
Ventilation Window for
Greenhouse TITAN Classic 240



1	Isohyps vent member (20x20) 0,44 m 	x1	Screw M4x30 	x 4
1-1	Isohyps vent member (20x20) 0,44 m 	x1	Screw M4x50 	x 2
2	Vertical vent member (20x20) 0,49 m 	x2	Screw M5x45 	x2
3	Bearer (20x20) 	x1	Screw M5x30 	x 8
3-1	Bearer (20x20) 	x1	Screw M6x25 	x 4
4	Distance piece (20x20) 	x1	Self-tapping screw 4,2x16 	x 22
	Weather strip 0,44 m 	x2	Self-tapping screw 4,8x19 	x 8
	Weather strip 0,52m 	x2		
	Weather strip 0,45m 	x2	Nut M4 	x 6
	Weather strip 0,62m 	x2	Nut M5 	x 8
	Window security chain 	x1		
	Scotch tape 25mm 	x1	Nylstop nut M5 	x 2
	Aluminum tape 	x1		
	Automatic hinge assembly 	x1	Washer M4 	x 2

Description



Follow the greenhouse assembly instructions and use it in strict accordance with the manual and operating rules stated in the technical certificate. Please keep the technical certificate for further reference.

The vent is designed to ventilate the greenhouses. The frame of the vent sash is made of galvanized steel and it is assembled with screws and nuts. The kit part of the vent includes all necessary elements of clamps. The automatic hinge assembly is option and Customer Supplied.

Warranty liability

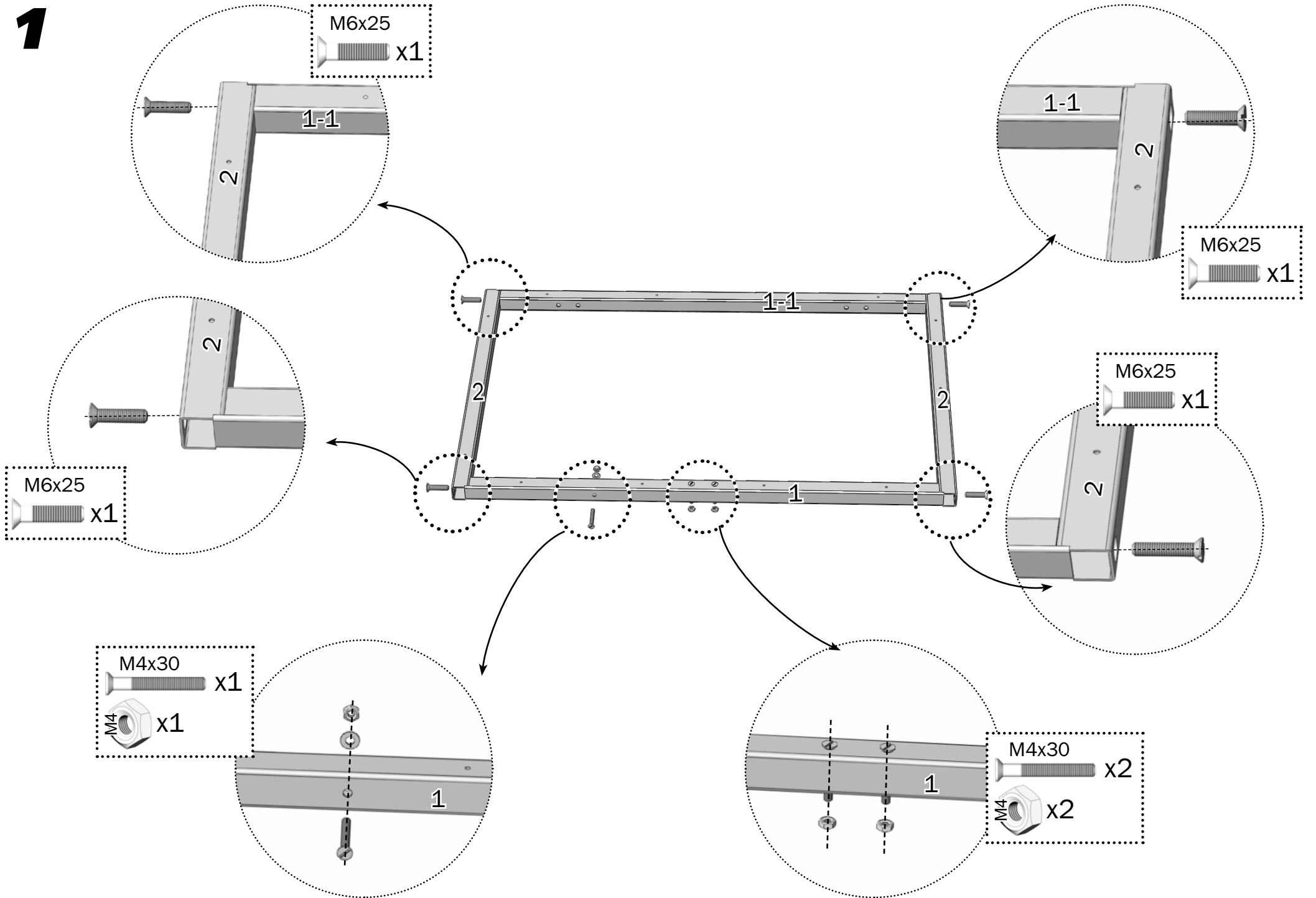
1. The manufacturer bears responsibility for the vent complete setup.
2. The manufacturer bears responsibility for the vent assemblability in accordance with the manual
3. Claim submission period is 12 months from the date of the purchase

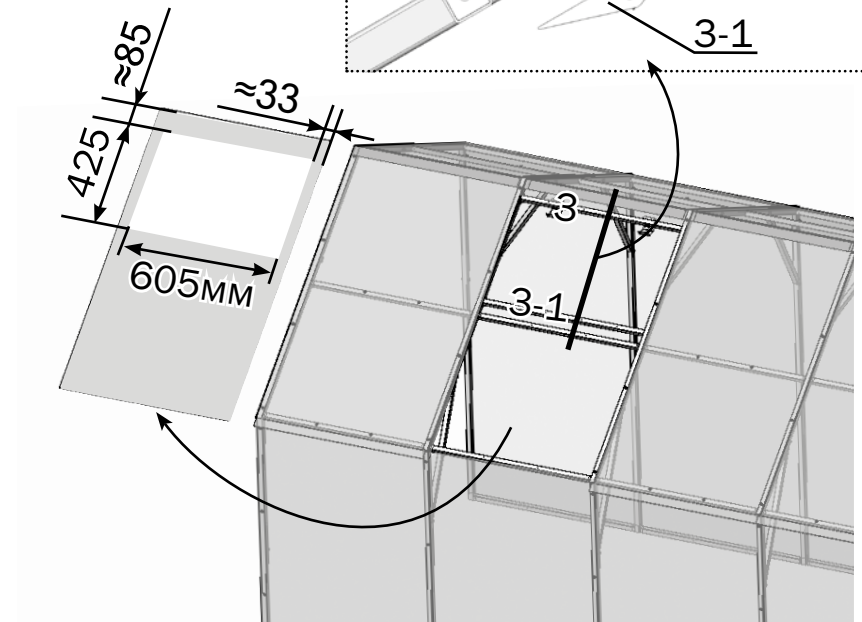
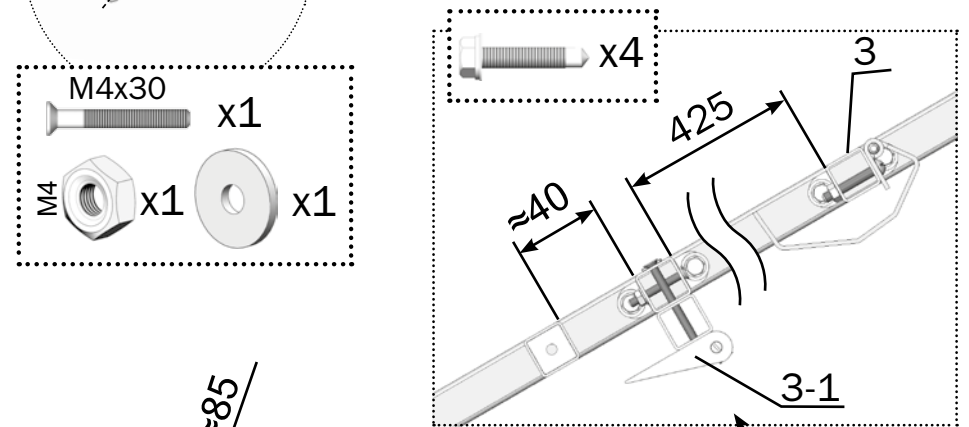
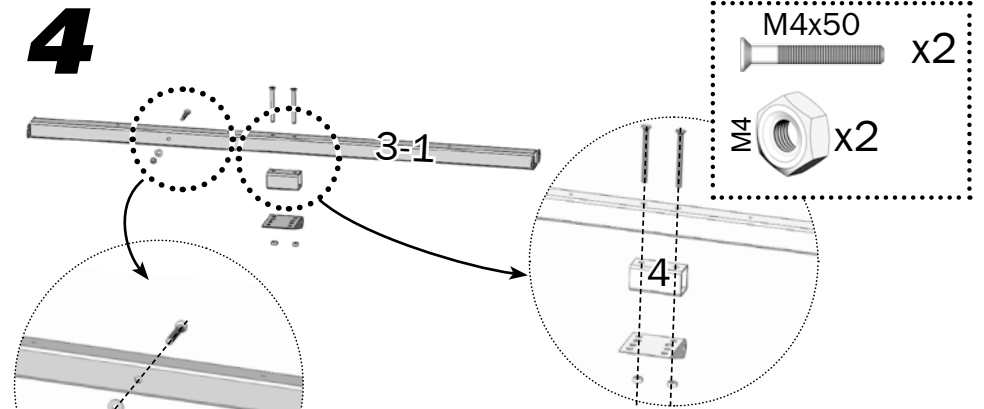
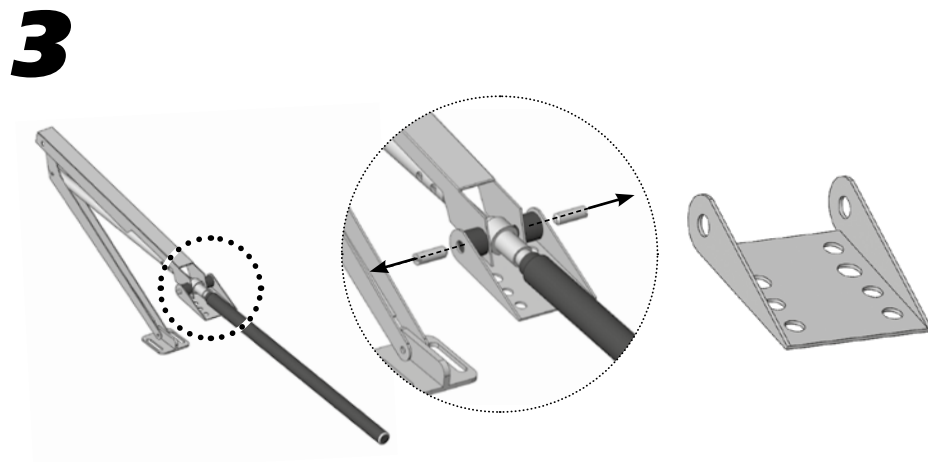
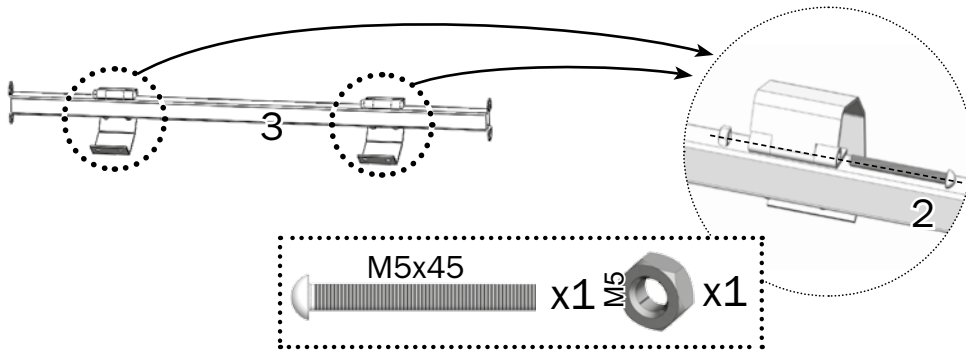
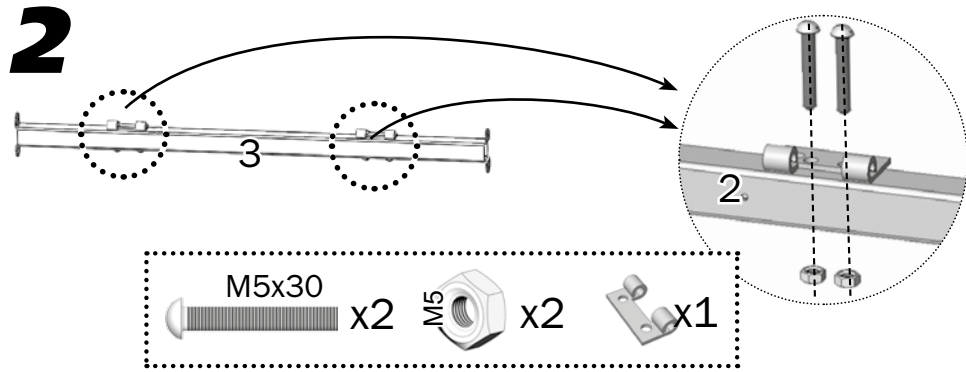
Warranty conditions

Warranty liabilities do not apply to the cases of:

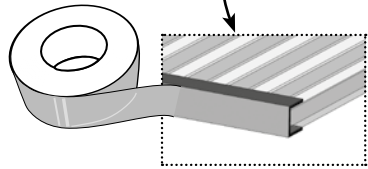
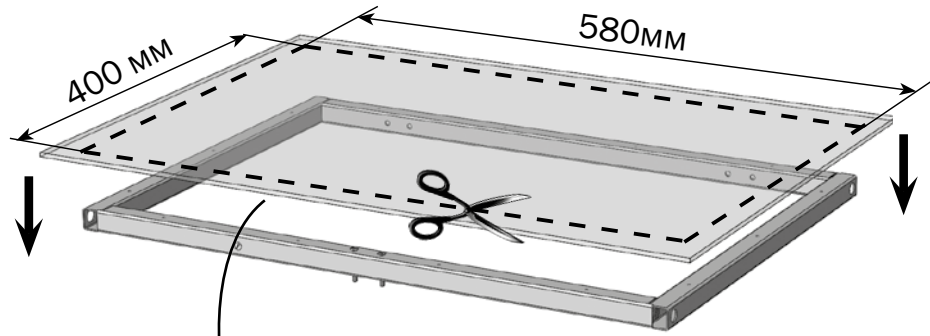
1. the vent installation with violation of requirements of the manual
2. the violation of the operating rules
3. hurricanes and other natural disasters.

1

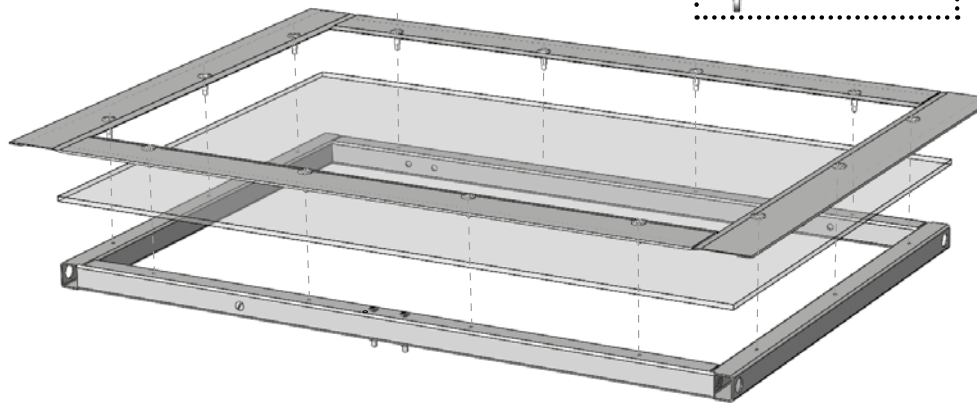
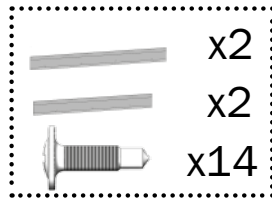




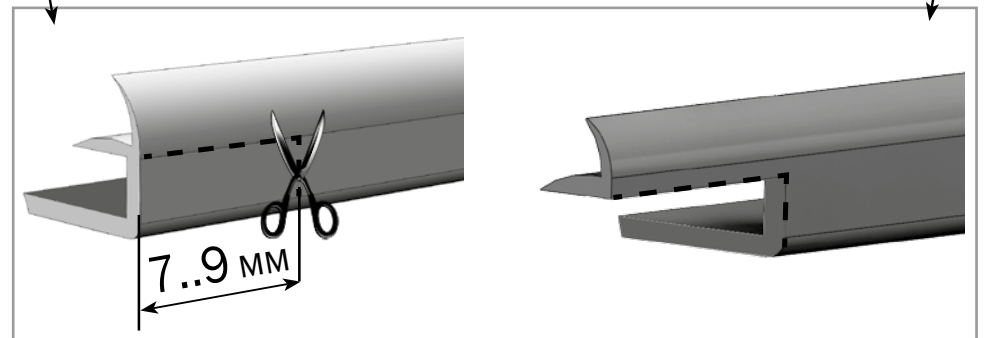
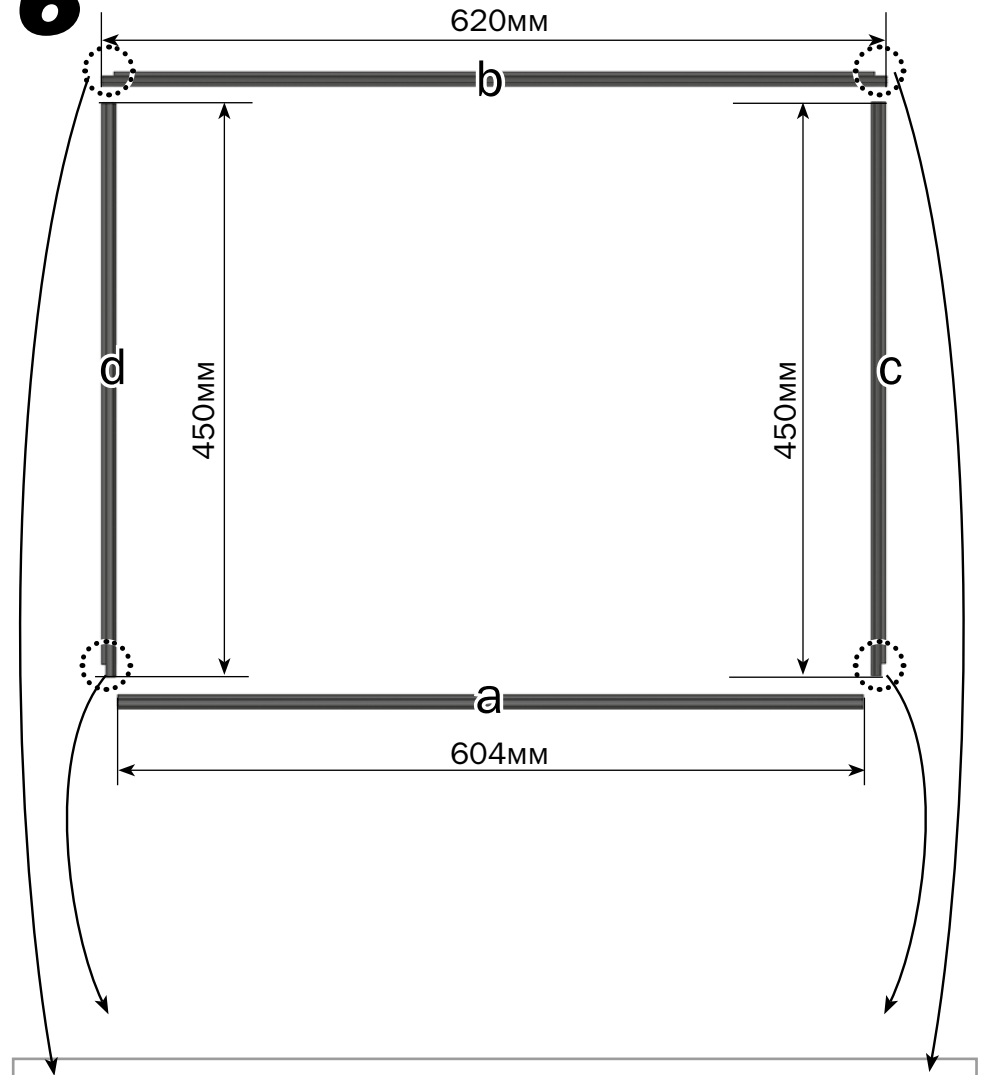
5



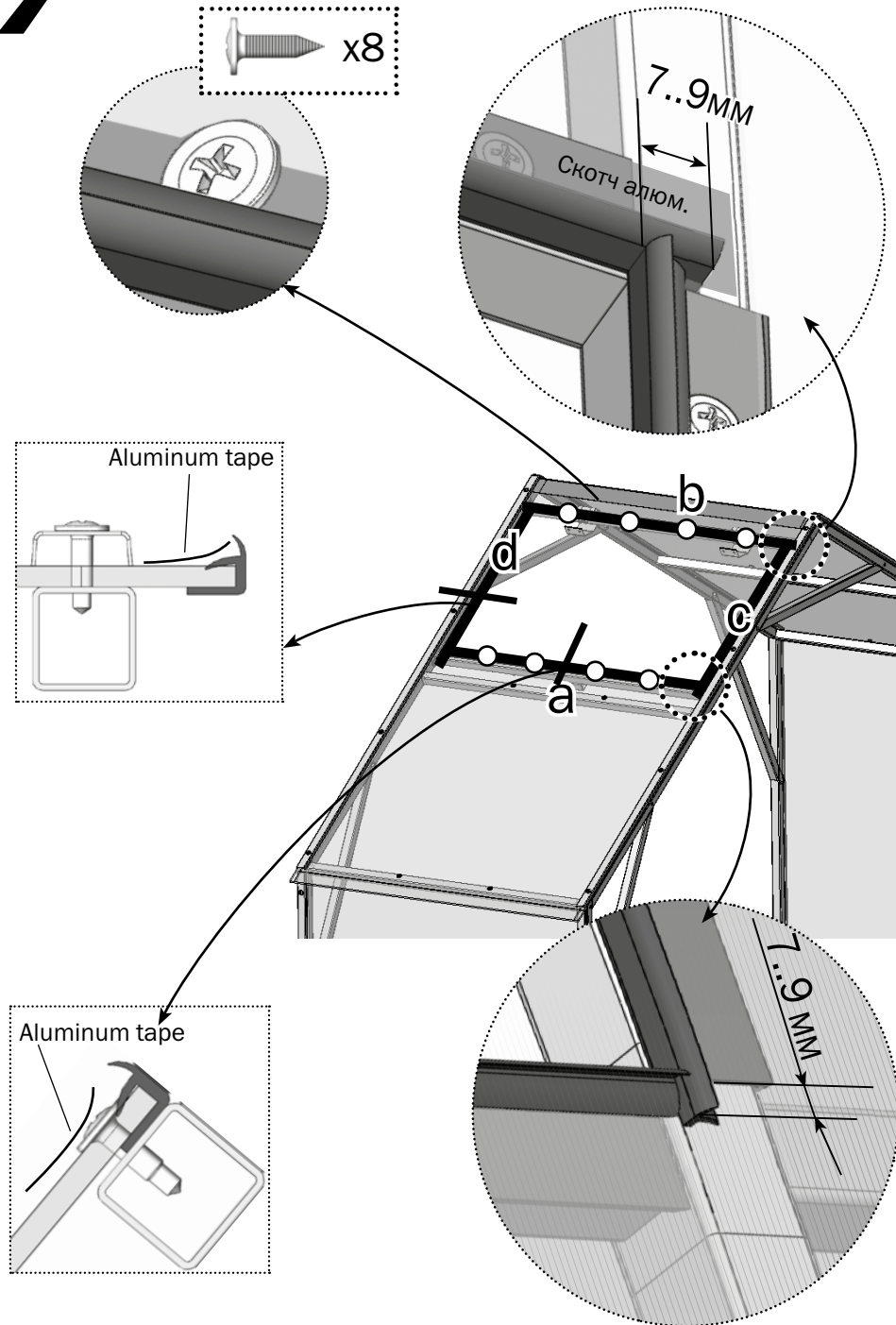
Tape scotch on the cut sides of the polycarbonate sheets.



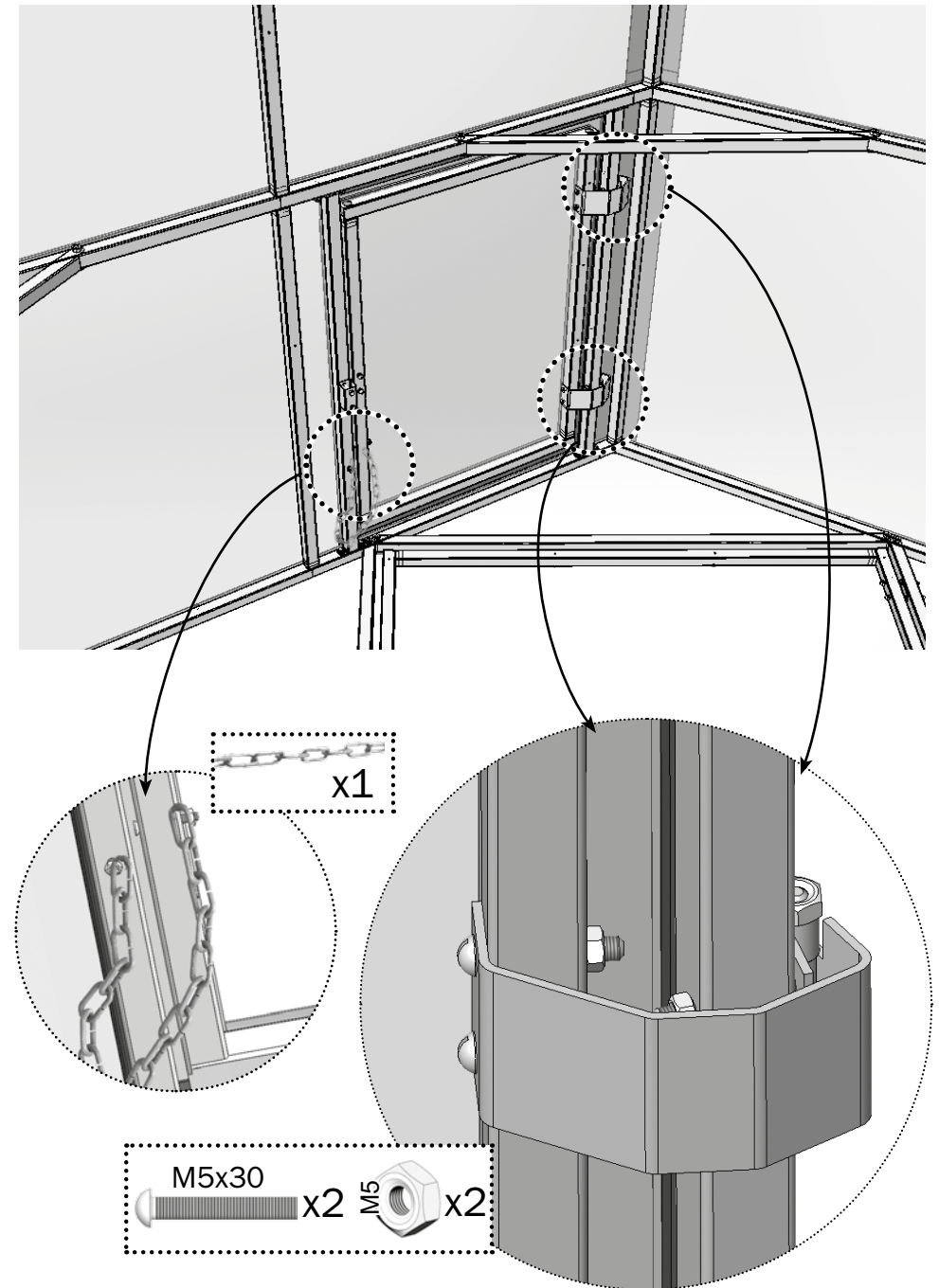
6



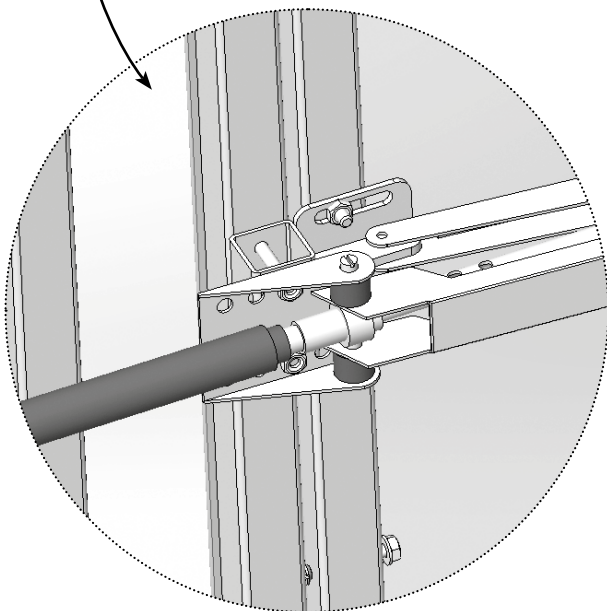
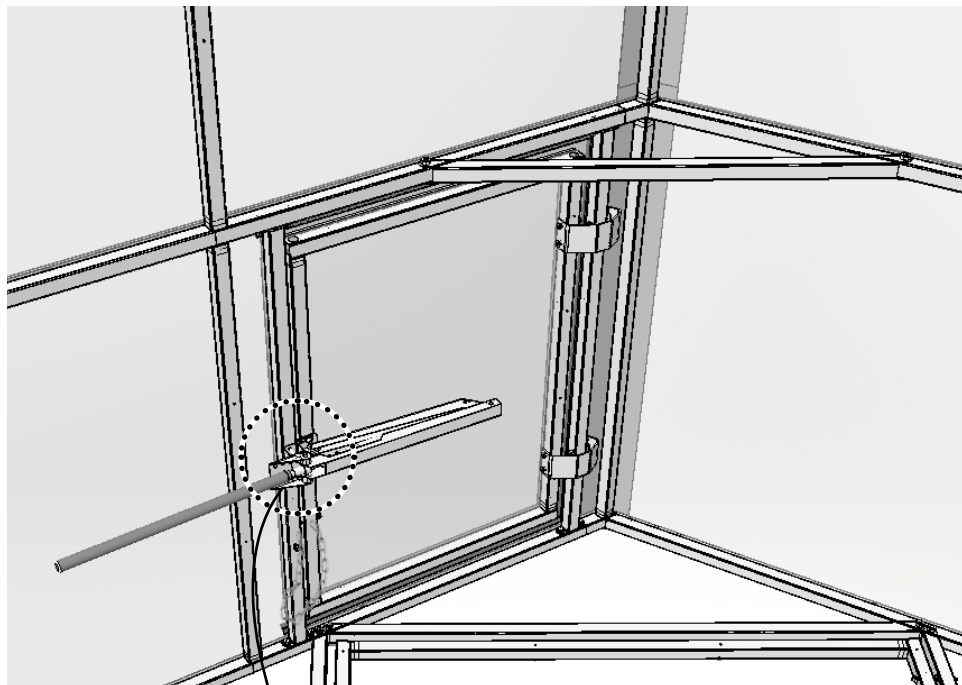
7



8



9



Contact information

Austria



Belgium



Croatia



Denmark



Estonia



Finland



France



Germany



Ireland



Italy



Latvia



Lithuania



Nederland



Norway



Poland



Portugal



Spain



Sweden



Switzerland



UK

